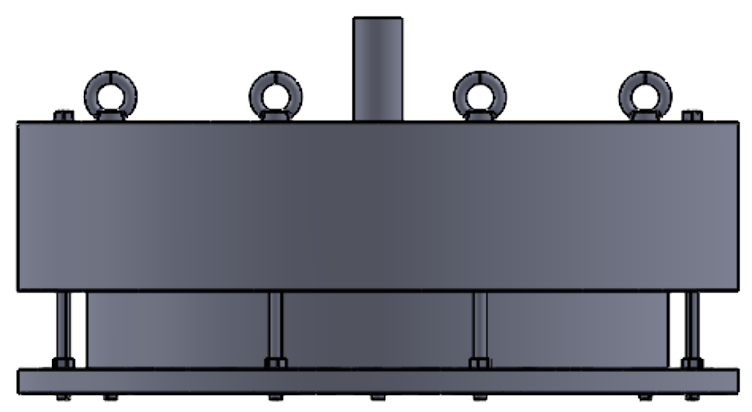
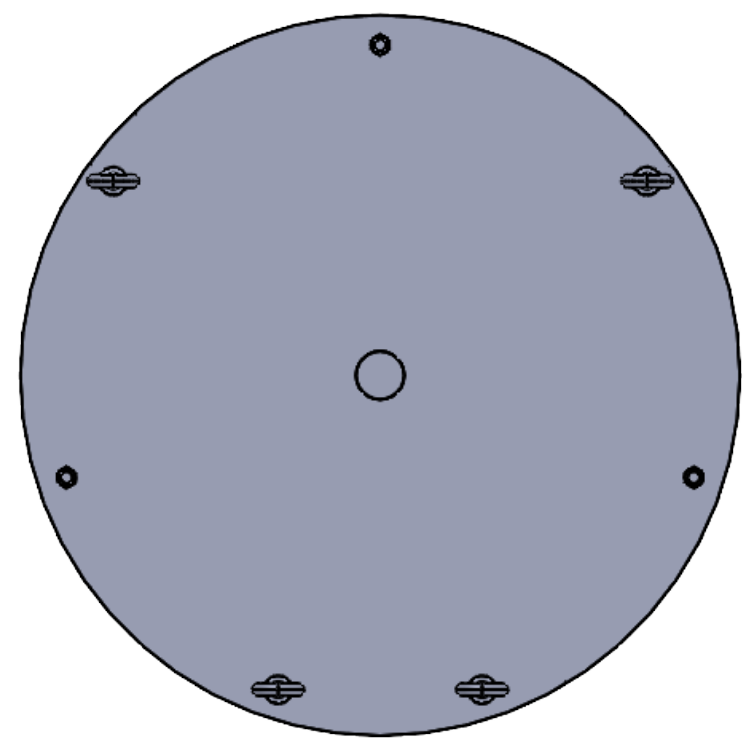


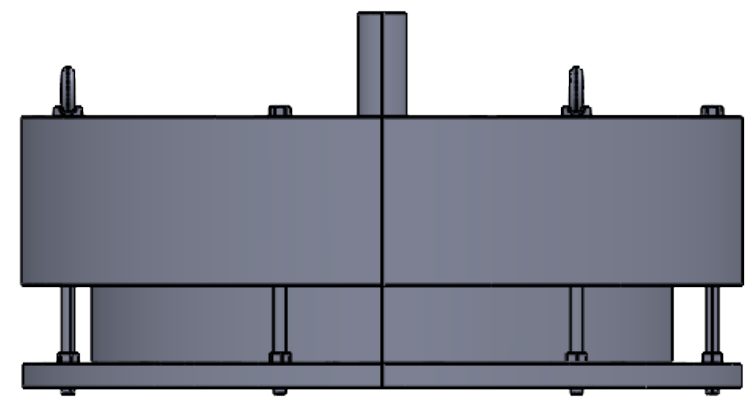
ISOMETRIC VIEW



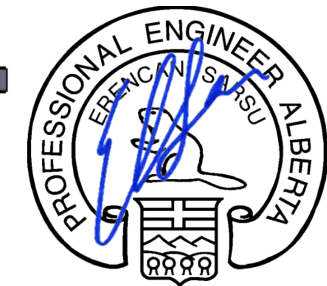
FRONT VIEW



TOP VIEW



SIDE VIEW



2022-05-20
APEGA ID# 102076



Suite # 1120, 800 - 6 Ave. SW
CALGARY, AB T2P 3G3
Tel: 403-910-5957 www.ena2.com
e-mail: info@ena2.com

THE UNDERSIGNED HAS REVIEWED AND TAKES RESPONSIBILITY FOR THIS DESIGN, AND HAS THE QUALIFICATIONS AND MEETS THE REQUIREMENTS SET OUT IN THE BC BUILDING CODE TO BE DESIGNER.

ERENCAN SARSU
NAME _____ APEGA # _____

PERMIT TO PRACTICE
ENA2 INNOVATIVE CONSULTING INC.
RM SIGNATURE: _____
RM APEGA ID #: 102076
DATE: MAY 20-2022
PERMIT NUMBER : P10614
The Association of Professional Engineers and Geoscientists of Alberta (APEGA)

ALL DRAWINGS ARE THE PROPERTY OF ENA2 INNOVATIVE CONSULTING INC. AND THEY ARE NOT TO BE REPRODUCED IN WHOLE OR IN PART WITHOUT WRITTEN PERMISSION FROM THIS FIRM.

MANUFACTURER TO CHECK AND VERIFY ALL CONDITIONS AND DIMENSIONS ON SITE AND ON PLANS BEFORE COMMENCING WORK AND TO REPORT ALL DISCREPANCIES TO THIS FIRM.

DO NOT SCALE DRAWINGS.

ALL CONSTRUCTION TO BE ACCORDING TO THE BEST COMMON PRACTICE AND MUST CONFORM TO ASME, AISI, AND API STANDARDS.

DRAWINGS ARE NOT TO BE USED FOR CONSTRUCTION UNLESS STAMPED AND SIGNED BY ENA2 INNOVATIVE CONSULTING INC.

No.	Revision/Issue	Date

PROJECT:

MM-2276-10
EMERGENCY PRESSURE RELIEF VALVE

CUSTOMER:

KEEN OPERATIONS & MAINTENANCE

DESCRIPTION:

VIEWS

JOB NO: 099-SE-01-DRW
DATE: 20-MAY-2022
SCALE: **NTS** DESIGNED BY: **KY**
DRAWN BY: **NS** APPROVED BY: **ES**
SHEET: **S101**



Suite # 1120, 800 - 6 Ave. SW
CALGARY, AB T2P 3G3
Tel: 403-910-5957 www.ena2.com
e-mail: info@ena2.com

THE UNDERSIGNED HAS REVIEWED AND TAKES RESPONSIBILITY FOR THIS DESIGN, AND HAS THE QUALIFICATIONS AND MEETS THE REQUIREMENTS SET OUT IN THE BC BUILDING CODE TO BE DESIGNER.

ERENCAN SARSU
NAME: _____ APEGA #: _____

PERMIT TO PRACTICE
ENA2 INNOVATIVE CONSULTING INC.
 RM SIGNATURE: _____
 RM APEGA ID #: 102076
 DATE: MAY 20-2022
PERMIT NUMBER : P10614
 The Association of Professional Engineers and Geoscientists of Alberta (APEGA)

ALL DRAWINGS ARE THE PROPERTY OF ENA2 INNOVATIVE CONSULTING INC. AND THEY ARE NOT TO BE REPRODUCED IN WHOLE OR IN PART WITHOUT WRITTEN PERMISSION FROM THIS FIRM.

MANUFACTURER TO CHECK AND VERIFY ALL CONDITIONS AND DIMENSIONS ON SITE AND ON PLANS BEFORE COMMENCING WORK AND TO REPORT ALL DISCREPANCIES TO THIS FIRM.

DO NOT SCALE DRAWINGS.

ALL CONSTRUCTION TO BE ACCORDING TO THE BEST COMMON PRACTICE AND MUST CONFORM TO ASME, AISI, AND API STANDARDS.

DRAWINGS ARE NOT TO BE USED FOR CONSTRUCTION UNLESS STAMPED AND SIGNED BY ENA2 INNOVATIVE CONSULTING INC.

No.	Revision/Issue	Date

PROJECT:

MM-2276-10
EMERGENCY PRESSURE RELIEF VALVE

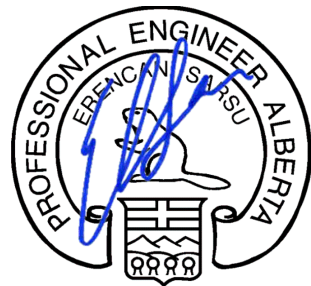
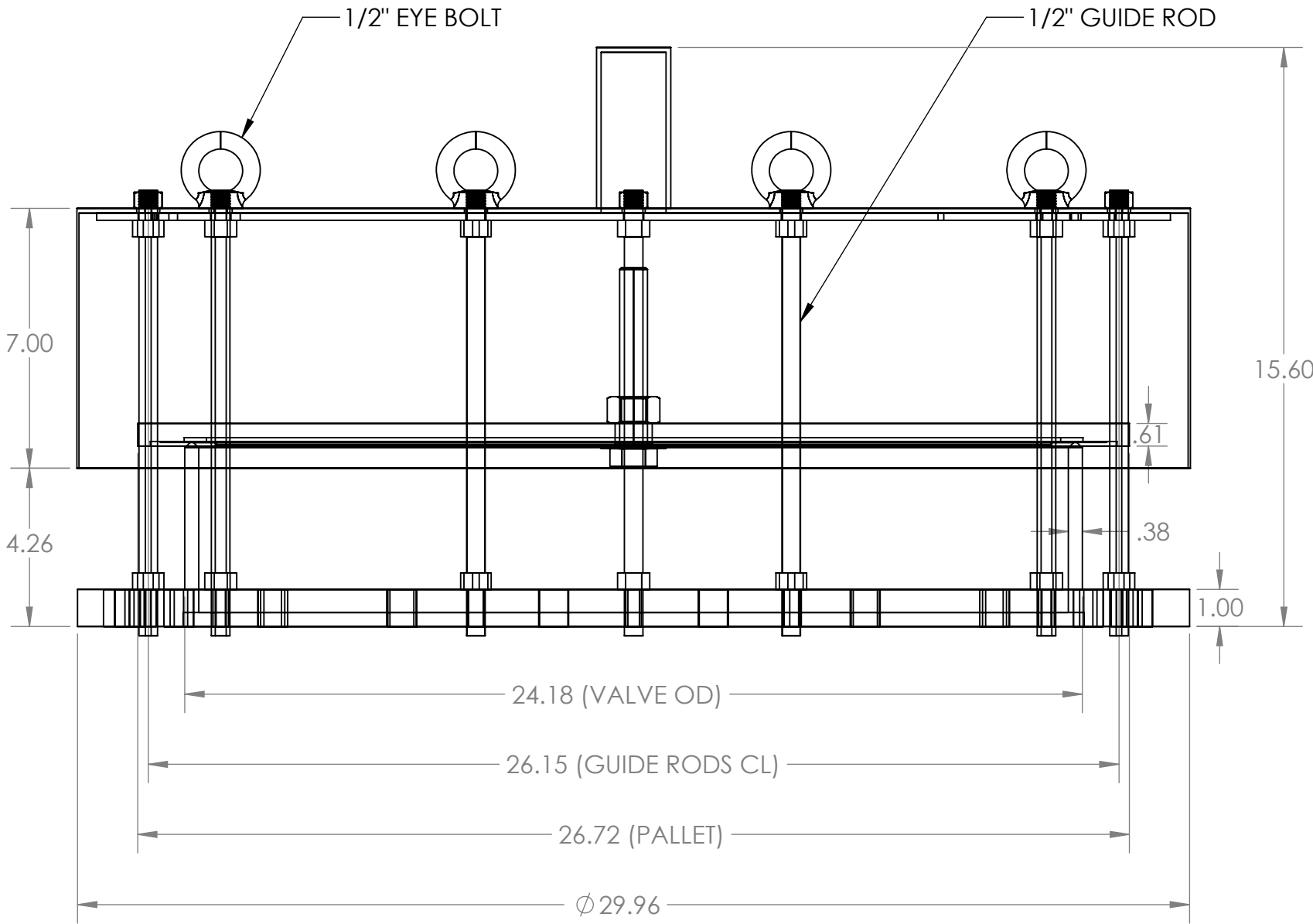
CUSTOMER:

KEEN OPERATIONS & MAINTENANCE

DESCRIPTION:

DIMENSIONS

JOB NO: 099-SE-01-DRW
 DATE: 20-MAY-2022
 SCALE: **NTS** DESIGNED BY: **KY**
 DRAWN BY: **NS** APPROVED BY: **ES**
 SHEET: **S102**



2022-05-20
APEGA ID# 102076

THE UNDERSIGNED HAS REVIEWED AND TAKES RESPONSIBILITY FOR THIS DESIGN, AND HAS THE QUALIFICATIONS AND MEETS THE REQUIREMENTS SET OUT IN THE BC BUILDING CODE TO BE DESIGNER.

ERENCAN SRSU
 NAME: _____ APEGA # _____

PERMIT TO PRACTICE
ENA2 INNOVATIVE CONSULTING INC.
 RM SIGNATURE: _____
 RM APEGA ID #: 102076
 DATE: MAY 20-2022
PERMIT NUMBER : P10614
 The Association of Professional Engineers and Geoscientists of Alberta (APEGA)

ALL DRAWINGS ARE THE PROPERTY OF ENA2 INNOVATIVE CONSULTING INC. AND THEY ARE NOT TO BE REPRODUCED IN WHOLE OR IN PART WITHOUT WRITTEN PERMISSION FROM THIS FIRM.

MANUFACTURER TO CHECK AND VERIFY ALL CONDITIONS AND DIMENSIONS ON SITE AND ON PLANS BEFORE COMMENCING WORK AND TO REPORT ALL DISCREPANCIES TO THIS FIRM.

DO NOT SCALE DRAWINGS.

ALL CONSTRUCTION TO BE ACCORDING TO THE BEST COMMON PRACTICE AND MUST CONFORM TO ASME, AISI, AND API STANDARDS.

DRAWINGS ARE NOT TO BE USED FOR CONSTRUCTION UNLESS STAMPED AND SIGNED BY ENA2 INNOVATIVE CONSULTING INC.

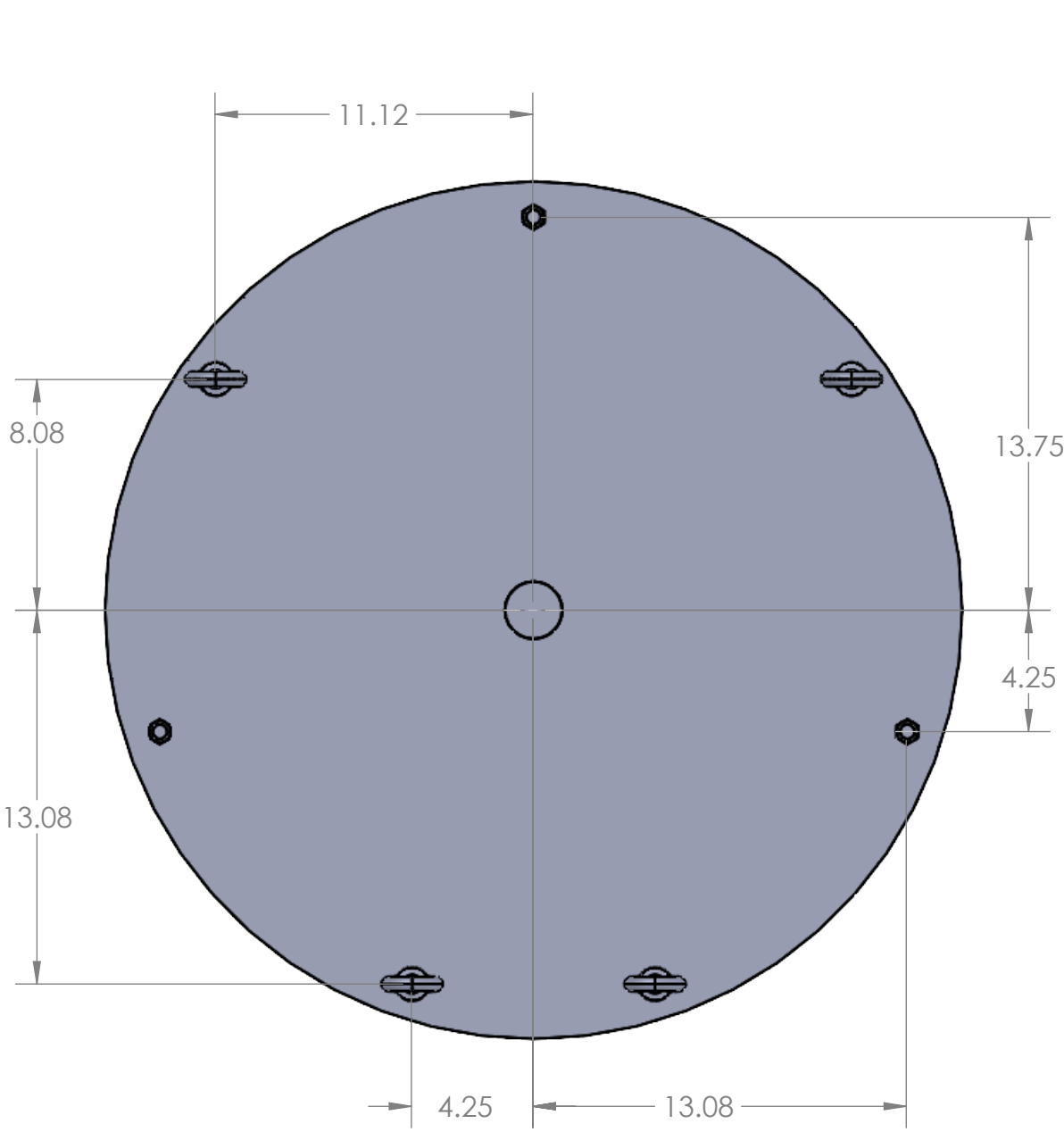
No.	Revision/Issue	Date

PROJECT:
 MM-2276-10
 EMERGENCY PRESSURE RELIEF VALVE

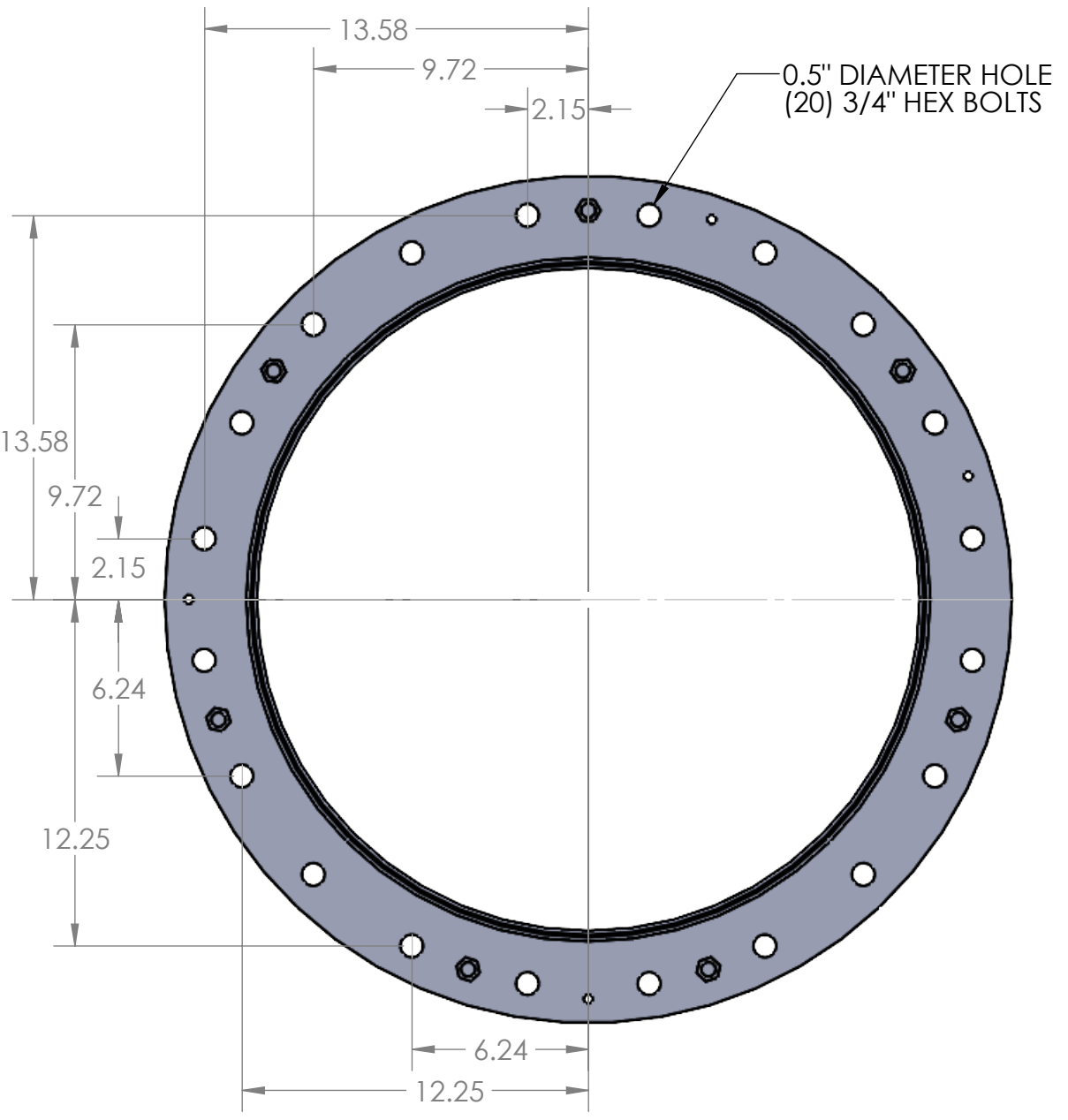
CUSTOMER:
KEEN OPERATIONS & MAINTENANCE

DESCRIPTION:
DIMENSIONS

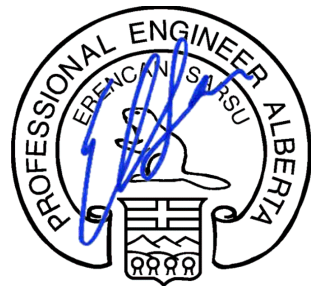
JOB NO: 099-SE-01-DRW
 DATE: 20-MAY-2022
 SCALE: **NTS** DESIGNED BY: **KY**
 DRAWN BY: **NS** APPROVED BY: **ES**
 SHEET: **S103**



EYE BOLTS & GUIDE RODS



FLANGE BOLTS



APEGA ID# 102076