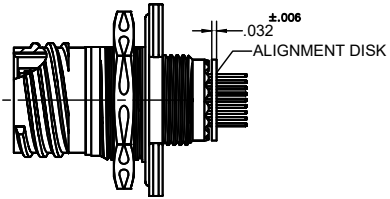


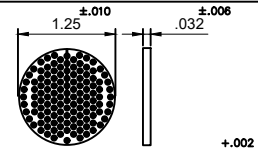
THIS DOCUMENT CONTAINS PROPRIETARY INFORMATION AND MAY NOT BE REPRODUCED COPIED, DISCLOSED OR UTILIZED WITHOUT THE WRITTEN CONSENT OF ELIMEC ELECTRO-MECHANICAL ENGINEERING (1988) LTD.

REVISIONS			APPROVED	
REV	DESCRIPTION	ECO-NO	NAME	DATE
0	FIRST RELEASE		E.M.	08.12.24

ALIGNMENT DISK ASSY FOR REFERENCE



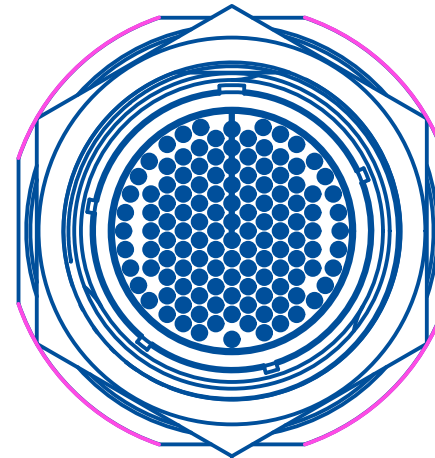
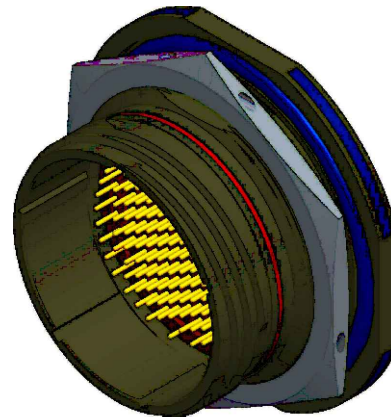
ALIGNMENT DISK DIMENSIONS



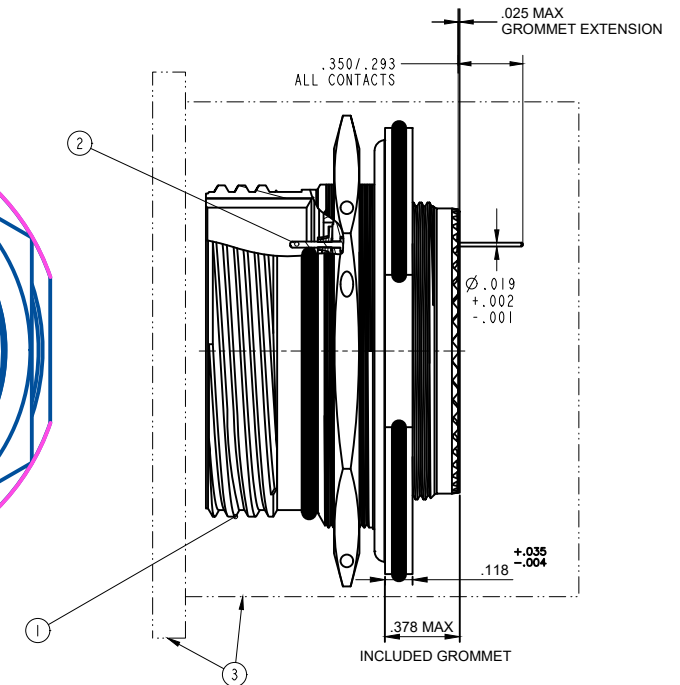
DRILLING (HOLES) ϕ .030

ALIGNMENT DISK MATERIAL:

FLAME-RESISTANT (SELF-EXTINGUISHING)
GLASS-REINFORCED EPOXY LAMINATE (FR4 MATERIAL).
OR GAROLITE (G10/FR-4).



Reference MIL-STD-1560
for insert arrangement details.



ALIGNMENT DISK OPTION (Alignment disks keep contacts aligned for easier insertion into circuit boards).


FOR **CONNECTOR SUPPLIED WITH THE ASSEMBLED ALIGNMENT DISK USE P/N EL324W2535PNPC8.5X0.5TD**

NOTES:

- CONNECTOR IS MARKING WITH MILITARY P/N D38999/24WJ35AN.
- MATERIAL :
MEETS REQUIREMENTS OF MIL-DTL-38999
Base Material: Aluminum
Plating: Olive Drab Cadmium
- CONTACTS WITH PRETINNED PC TAIL.
(Sn63Pb37 ULTRA-PURE, PER QQ-S-571 HOT TIN DIP AREA).
- PACKING :
AFTER CONTACTS HAVE BEEN INSTALLED, PLACE CONNECTOR INTO CONTAINER AND CAP.
TO ENSURE CAP LOCATION, APPLY TAPE IF NEEDED.
CARE MUST BE TAKEN NOT BEND THE CONTACTS.

PART LIST

ITEM	DESCRIPTION	MANUF. P/N	MANUFACTURER	QTY	UOM
1	JAM NUT RECEPTACLE ,J35, KEY N	D38999/24WJ35AN	QPL	1	PCS
2	PC TAIL PIN SIZE 22D PRETINNED	4511-2206-361T	AEROTRONICS	128	PCS
3	CAP/CONTAINER PROTECTION			1	PCS

UNLESS OTHERWISE SPECIFIED: DIMENSIONS ARE IN INCHES DO NOT SCALE DRAWING				 ELIMEC electro-mechanical engineering REVISION 0	
NAME	SIGNATURE	DATE	TITLE:		
DRAWN	Evgeny M		08/12/24	PCB CONNECTOR P/N EL324W2535PNPC8.5X0.5T	
CHK'D					
APP'VD					
Q.A					
MATERIAL:				DWG NO.	EL324W2535PNPC8.5X0.5T
WEIGHT:				SCALE:NA	