

AERO ELECTRIC PART NUMBER DEVELOPMENT

AE65-757 - X X23 X X - X

AERO PRODUCT IDENTIFIER
SPECIAL DUAL FLANGE JAM NUT CONN. W/SIZE 23 P.C. CONTACTS
REF: MIL-DTL-38999, SERIES III

CLASS (MATERIAL & FINISH):
F = ALUMINUM, ELECTROLESS NICKEL (RoHS)
W = ALUMINUM, O.D. CAD OVER NICKEL
L = STAINLESS STEEL, PASSIVATED, NON-FIREWALL
Z = ALUMINUM, BLACK ZINC NICKEL, CONDUCTIVE (RoHS)

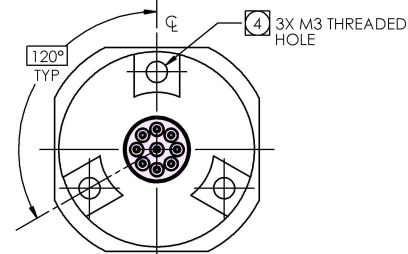
P.C. TAIL EXTENSION
C1 = MIN .142
L1 = MIN .280

POLARIZATION:
N = NORMAL
A, B, C, D, OR E = ALTERNATE

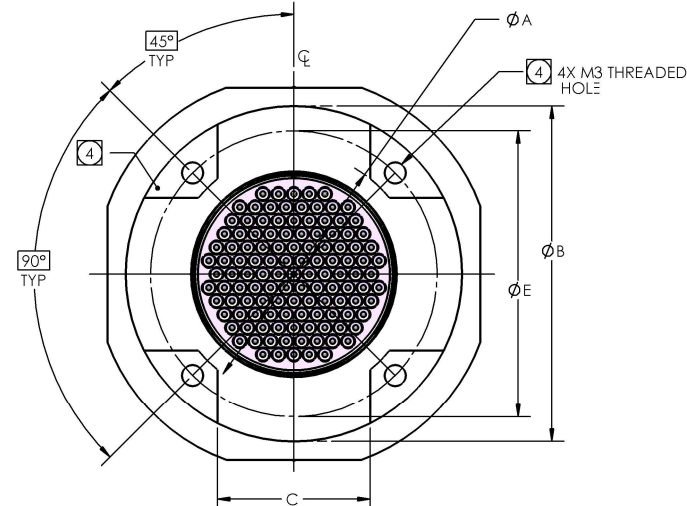
CONTACT STYLE:
P = P.C. CONTACT
S = P.C. SOCKET

INSERT ARRANGEMENT
A23=9-23, B23=11-23, C23=13-23, D23=15-23, E23=17-23
F23=19-23, G23=21-23, H23=23-23, & J23=25-23
CONTACT SIZE 23
PER MIL-STD-1560

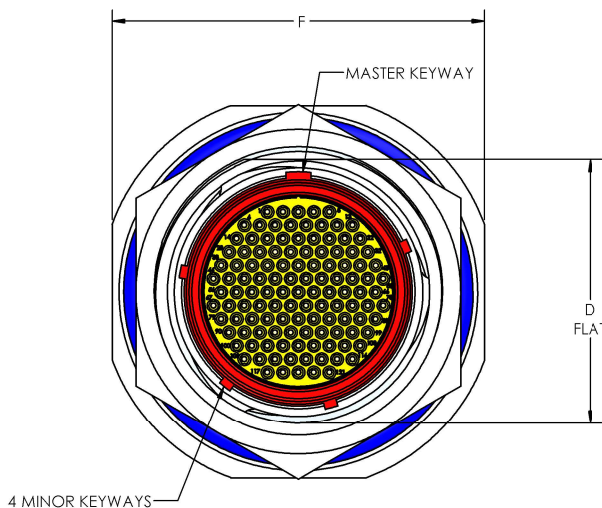
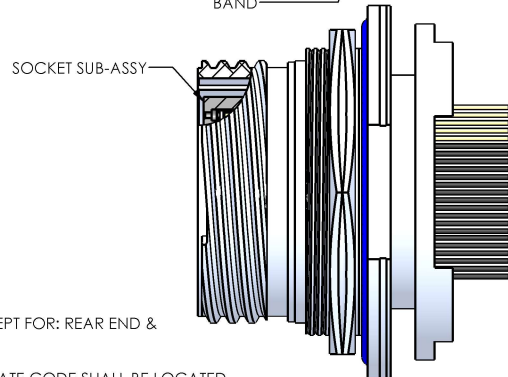
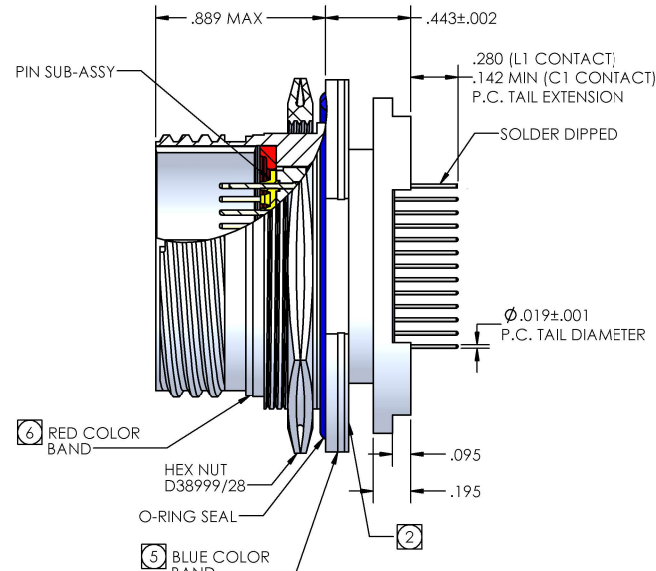
REVISIONS			
REV.	DESCRIPTION	DATE	APPROVED
-	INITIAL RELEASED PER ECO 14692	03/02/23	H.J.



SIZE 09 BACK VIEW



ISO VIEW



21-23 ARRANGEMENT PIN FACE SHOWN AS REFERENCE ONLY PER MIL-STD-1560

SHELL SIZE	MS SHELL CODE	ØA ±.006	ØB ±.006	C ±.008	D ±.004 -.006	ØE BSC	F ±.016
09	A	.594	1.024	.236	.651	.753	1.063
11	B	.784	1.213	.236	.751	.850	1.252
13	C	.784	1.213	.472	.938	.994	1.374
15	D	.906	1.335	.551	1.062	1.119	1.500
17	E	1.024	1.449	.630	1.187	1.237	1.626
19	F	1.161	1.591	.709	1.312	1.379	1.811
21	G	1.268	1.701	.787	1.437	1.489	1.937
23	H	1.398	1.831	.906	1.562	1.619	2.063
25	J	1.520	1.953	.984	1.726	1.744	2.189

NOTES: UNLESS OTHERWISE REQUIREMENTS.

- CONNECTOR MEETS ALL APPLICABLE REQUIREMENTS OF D38999/24 EXCEPT FOR: REAR END & REMOVABLE P.C. CONTACTS.
- MARKING:** "AERO", OR CAGE CODE, AERO PART NUMBER, AND MFG DATE CODE SHALL BE LOCATED APPROXIMATELY WHERE SHOWN.
- CONTACTS MEETS ALL APPLICABLE REQUIREMENTS OF M39029/122-670 AND M39029/121-663. EXCEPT FOR P.C. TAILS THAT ARE PLATED WITH .000050 MIN GOLD. (P.C. TAILS ARE SOLDER DIPPED).
- FOUR SPECIAL SHELL STAND OFF, AND THREADED HOLE FOR SIZES 13 THRU 25. FOR SIZE 09 & 11 ONLY 3 STAND OFF, AND THREADED HOLE SPACED AT 120° APART FROM CENTER LINE.
- BLUE COLOR BAND DESIGNATES REAR RELEASE CONTACT RETENTION SYSTEM.
- FULLY MATED INDICATOR BAND, COLOR RED.

PROJECTION 	APPLICATION TSR#2871	UNLESS OTHERWISE SPECIFIED INTERPRET DWG PER MIL-STD-100 ALL DIMENSIONS IN INCHES PART TO BE FREE OF BURRS ALL DIM APPLY BEFORE PLATING ✓ ALL MACHINED SURFACES MAX RUNOUT .005 FIM BREAK SHARP EDGES .005 MAX MACHINE FILLET RADI .006 MAX .XX ±.010 .XXX ±.005 ANGULAR ±0° 30'	DRAWN HAMID TAHERKHANI 02/24/2023 CHECK HAMID TAHERKHANI 02/24/2023	AERO ELECTRIC CONNECTOR, Inc. 2280 208th Street Torrance, California 90501
			APVD HASSAN JAMSHIDIAN 02/27/2023	
FINISH		DO NOT SCALE DRAWING	SIZE C CAGE CODE 59976 SCALE 3:1 SHEET 1 OF 1	