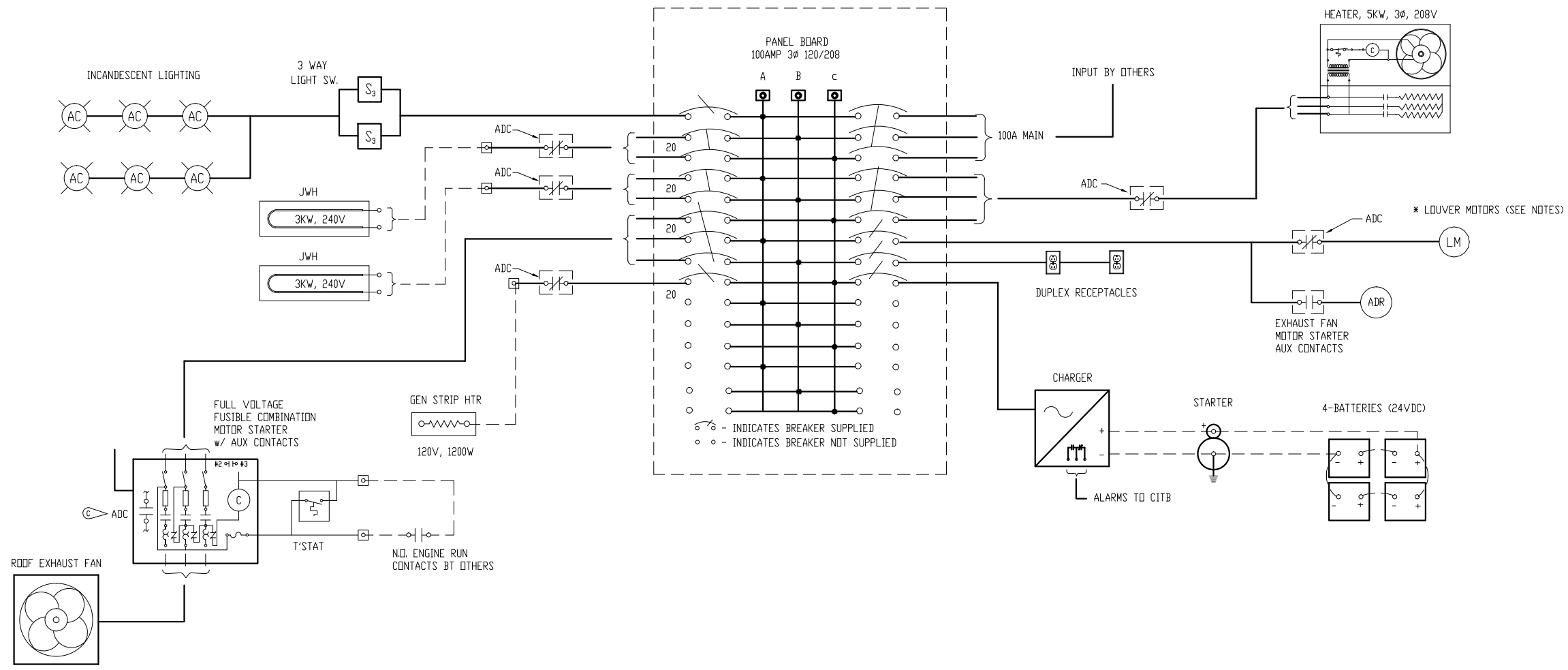
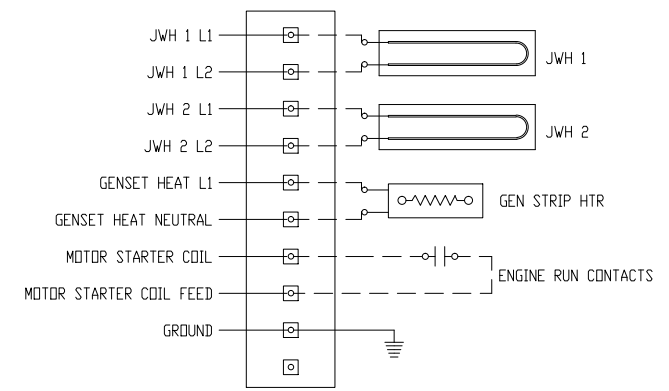


REVISIONS				
ZONE	LTR	DESCRIPTION	DATE	APP'D
A		REVISED FOR PRODUCTION RELEASE	(ARR) 06/18/98	RG
B		REVISIONS TO PAGE 1	(ARR) 07/01/98	BJJS
C		REVISED AS BUILT	(ADS) 07/27/98	BJJS



**CUSTOMER CONNECTION BOX**



**LEGEND:**

ADR - AUX DISCONNECT RELAY  
 ADC - AUX DISCONNECT CONTACTS  
 □ - CUSTOMER CONNECTION BOX TERMINAL

**\* NOTES:**

LOUVERS ARE SPRING OPEN MOTOR CLOSE  
 AUX RUN RELAY LOCATED IN ENGINE CONTROL PANEL -  
 2 30A DPDT ADC CLAPPER RELAY  
 1 15A DPDT ADC ICE CUB RELAY

CUSTOMER FURNISHED ELECTRICAL DATA			
CUSTOMER INPUT TO LOAD CENTER	120/208	v	3 $\phi$
CUSTOMER INPUT TO SERVICE TRANSFORMER	N/A	v	N/A $\phi$
GENSET OUTPUT	4160	v	134 AMPS 3 $\phi$ 60 HZ
JACKET H <sub>2</sub> O HEATER	2	QTY.	240 v 1 $\phi$ 3 KW
GENERATOR STRIP HEATER	120	v	11 AMPS 120/208 $\phi$
SYSTEM DC VOLTAGE	N/A		BATTERY QTY (4) 9X9730

CUSTOMER: FOLEY MACHINERY		THIRD-ANGLE PROJECTION
REFERENCE: REF. NEW JERSEY MANUFACTURES		
UNITS REQ'D:		REVISION
PATENT NO. 3,882,592 PRITCHARD-BROWN, LLC CLAIMS PROPRIETARY RIGHT IN THE MATERIAL DISCLOSED HEREON. THIS DRAWING IS ISSUED FOR SALES INFORMATION ONLY AND MAY NOT BE REPRODUCED OR USED TO MANUFACTURE ANYTHING SHOWN HEREON WITHOUT PERMISSION FROM PRITCHARD-BROWN, LLC TO THE USER.		C 07 / 27 / 98
PRITCHARD-BROWN, LLC	6501 ERDMAN AVE. BALTIMORE, MD 21205	DATE 11 11 97
ELECTRICAL ONE LINE		
DRW. CT	JOB SERIAL NO.	971278
CHK. FH		
APP. FH		
APP. FH	SCALE:	
		SHEET 2 OF 2
		WWW.PRITCHARDBROWN.COM

created using AutoCAD