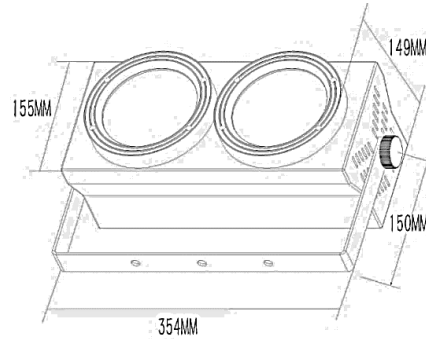


# BLINDER 200 TW/CW

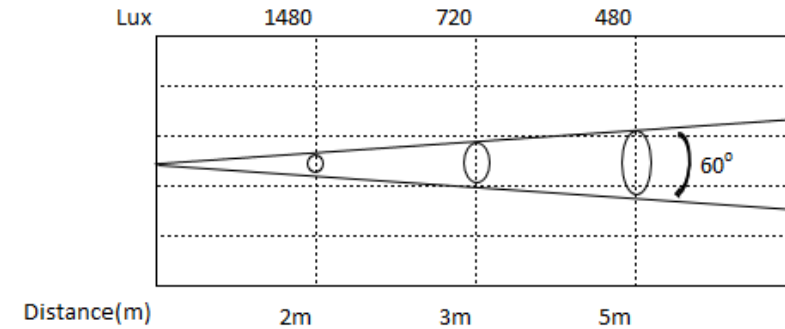
BLINDER



## DIMENSIONS



## ILLUMINANCE AT DISTANCE



## OPTICAL SYSTEM

Light Source: 2x100W COB TW/CW LED

Light angle: 60°

## ELECTRICAL SPECS

Voltage: AC110-240V, 50Hz-60Hz

Power: 200W

## SPECIFICATIONS

Colour temperature: 3200K or 5600K

Control: DMX512, master-slave, Auto

DMX channel: 8 CH

Light body: metal

Net Weight: 3.5kg

Packing size: 45x26x28cm

Blinder 200 TW/CW is Nouvoled 2x100W blinder with an option of 3200K or 5600K. The designed of Blinder 200 TW/CW is born to attract the attention of audience and a powerful tool to highlight backdrop, props and etc.