

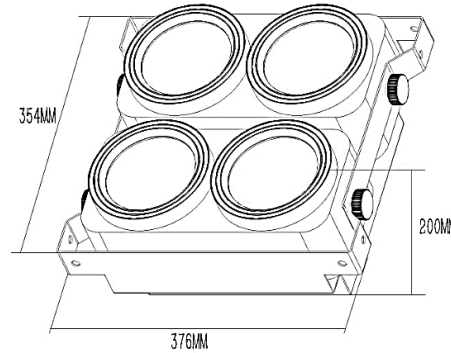
# BLINDER 400 TW/CW

BLINDER

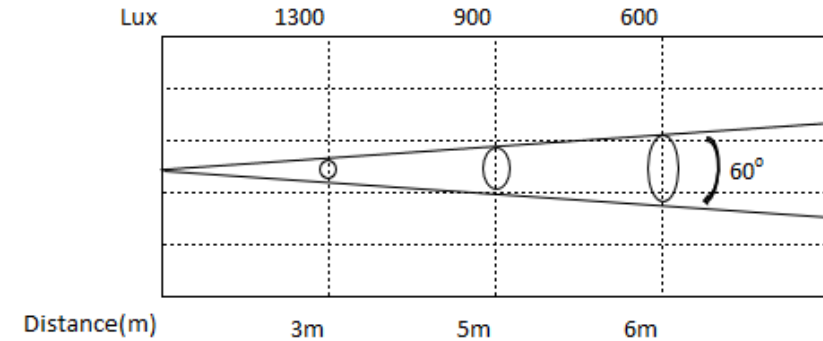


Blinder 400 TW/CW is Nouvoled 4x100W blinder with an option of 3200K or 5600K. The designed of Blinder 400 TW/CW is born to attract the attention of audience and a powerful tool to highlight backdrop, props and etc.

## DIMENSIONS



## ILLUMINANCE AT DISTANCE



## OPTICAL SYSTEM

Light Source: 4x100W COB TW/CW LED

Light angle: 60°

## ELECTRICAL SPECS

Voltage: AC100-240V, 50Hz-60Hz

Power: 500W

## SPECIFICATIONS

Colour temperature: 3200K or 5600K

Control: DMX512, master-slave, Auto

DMX channel: 12 CH

Light body: metal

Net Weight: 9kg

Packing size: 55x84x59cm