

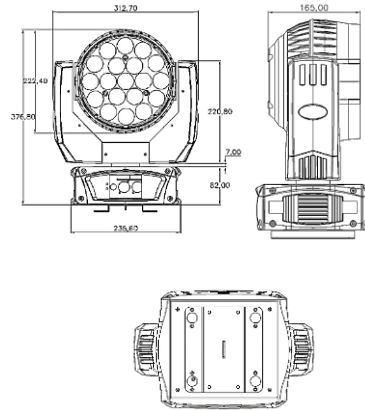
GEMINI 1915W



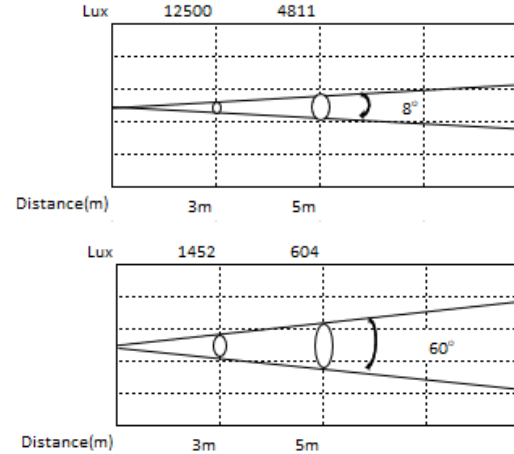
MOVING HEAD WASH



DIMENSIONS



ILLUMINANCE AT DISTANCE



OPTICAL SYSTEM

Light Source: 19pcs 15W RGBW & 31pcs 0.5W RGB

Beam angle: 8-60 degrees

ELECTRICAL SPECS

Power supply: AC100V-240V 50/60Hz

Power consumption: 300W

Power connection: Power in & out

Signal socket: 3/5 pin XLR DMX input/output

SPECIFICATIONS

Pan/Tilt rotation: 540°/270°

Strobe: 1-20 times/sec or random

Control: DMX 512, Master/Slave, Sound, Auto mode

Dimensions: 305x230x370mm

Gross Weight: 10kg

Display: LCD ; Body Colour: Black

RGBW colour mixing system, lap control effect

Gemini 1915W is a compact and rapid LED moving head wash. It consists of 19 x 15W Osram RGBW LED, a good zoom range of 8° to 60° , aura effect and accurate colour pre-mixing with ring control mode. Its powerful and compact wash lights make it an ideal choice for small and midsize venue.