

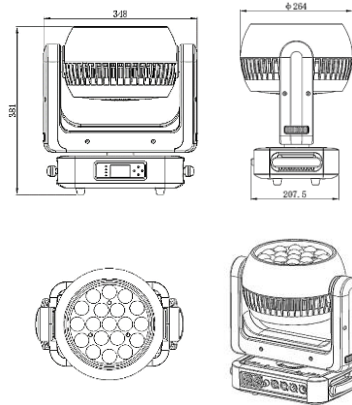
GEMINI 1925W



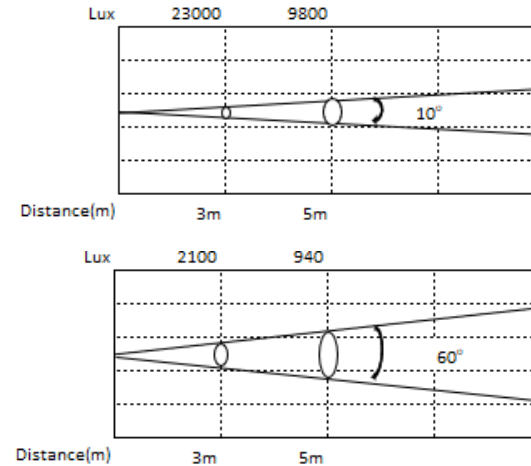
MOVING HEAD WASH



DIMENSIONS



ILLUMINANCE AT DISTANCE



OPTICAL SYSTEM

- Light Source: 19pcs 25W RGBW 4in1 Prolight LED
- Beam angle: 10-60 degrees

ELECTRICAL SPECS

- Power supply: AC100V-240V 50/60Hz
- Power consumption: 500W
- Power connection: Power in & out
- Signal socket: 3/5 pin XLR DMX input/output

SPECIFICATIONS

- Pan/Tilt rotation: 540°/270°
- Strobe: Variable strobe effect
- Control: DMX 512, Master/Slave, Auto mode
- Dimensions: 350x200x400mm
- Weight: 9.5kg
- Display: Blue White LCD display
- Housing material: ABS plastic, metal

Gemini 1925W is a compact and rapid LED moving head wash. It consists of 19 x 25W Osram RGBW LED, a good zoom range of 10° to 60°, accurate colour pre-mixing with ring control mode. Its powerful and compact wash lights make it an ideal choice for small and midsize venue.