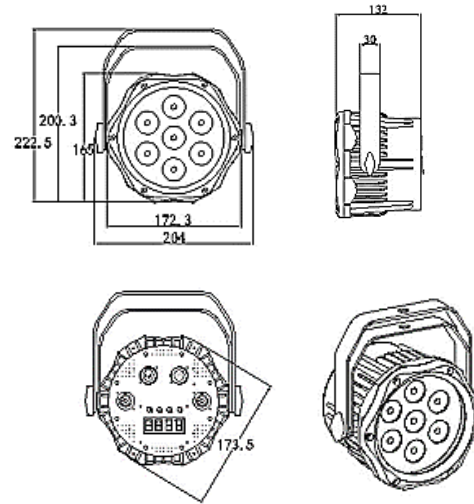


LUSTROUS 0710 IP

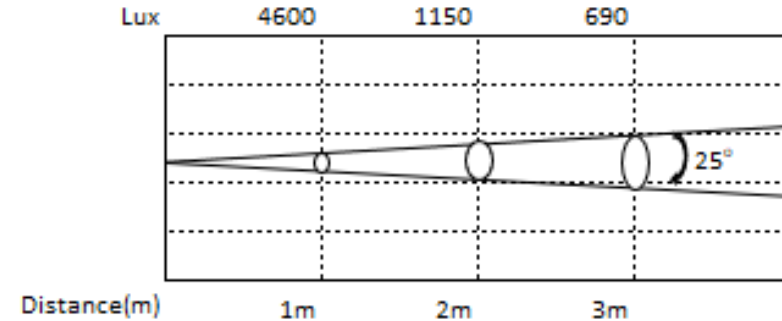
PAR LIGHT



DIMENSIONS



ILLUMINANCE AT DISTANCE



OPTICAL SYSTEM

Light Source: 7x10w RGBW 4in1 LED

Beam angle: 25°

SPECIFICATIONS

Dimmer: 0-100% linear dimmer

Control: DMX, Master/Slave, Sound, Auto mode

IP rate: IP 65

Packing size: 195x230x180mm

Net Weight: 3.5kg

Housing case: Die cast aluminium body

ELECTRICAL SPECS

Power voltage: AC110-240V/50-60Hz

Power consumption: 80W

Signal socket: 3 pin XLR connectors

Lustrous 0710P is a 7 x 10W RGBW 4 In 1 Multichip LED Par with an IP65 rating, its powerful output and linear dimming, slim and fanless design makes it suitable for almost any type of application.