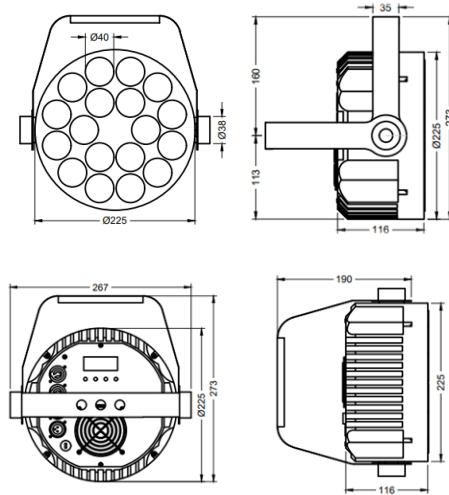


ROCK PAR 1810

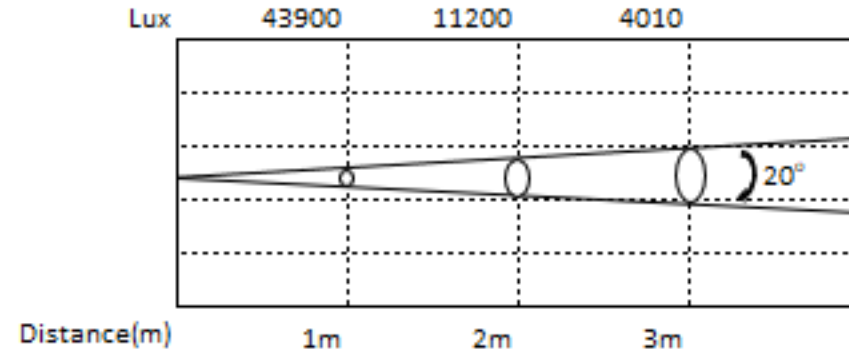
PAR LIGHT



DIMENSIONS



ILLUMINANCE AT DISTANCE



OPTICAL SYSTEM

Light Source: 18x10w RGBW 4in1 LED

Lens angle: 20°

SPECIFICATIONS

Control: DMX, Master/Slave, Sound, Auto mode

IP rate: IP 33

Dimension: 280x115x250mm

Net Weight: 3kg

Housing case: Die-casting aluminium housing

Body colour: Black

ELECTRICAL SPECS

Power voltage: AC90-240/50-60Hz

Power consumption: 180W

FEATURES

Good cooling system, easy carrying, strobe

ROCK PAR 1810 is a 18 x 10W RGBW 4 in 1 multichip indoor LED PAR. House in a slim body and a silent fan. Its suitable for any application with high brightness is required.