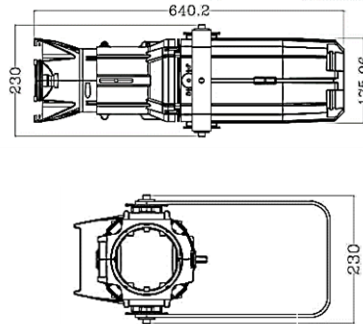


# SOLAR PRO 300 CC

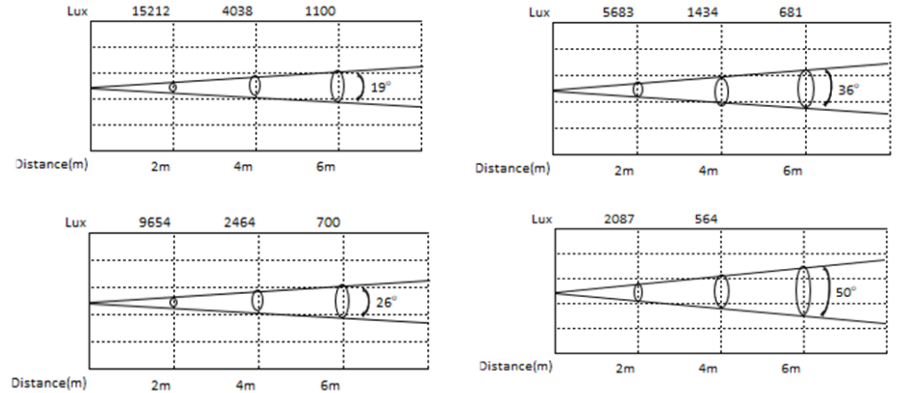
PROFILE



## DIMENSIONS



## ILLUMINANCE AT DISTANCE



## OPTICAL SYSTEM

Light Source: 300W RGBW LED

Beam angle: 19°, 26°, 36°, 50° for option

## ELECTRICAL SPECS

Power voltage: AC110-240V/50-60Hz

Power consumption: 300W

## SPECIFICATIONS

Control: DMX, Master/Slave, self running mode

Control: RDM protocol

IP rate: IP20

Size: 740x325x280mm

Net Weight: 10.33kg

Light body: Die cast aluminium, Body colour: Black

## FEATURES

Focus: Manually adjustable

Electronic strobe: 0-20Hz

Electronic dimming: 0-100%

Indicators: LCD

Technology: High quality optical system, glass reflector

SOLAR PRO 300 CC is 300W RGBW LED. Its designed to be compact and yet powerful, giving the flexibility of colour changing according to the application.