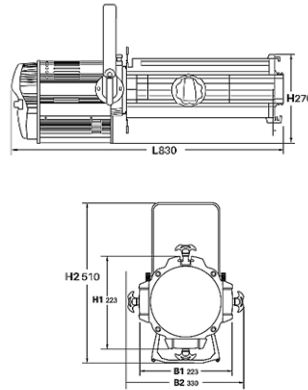


SOLAR PRO 200Za TW/CW

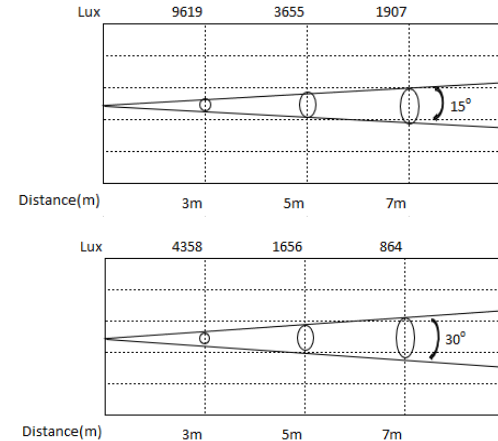
PROFILE



DIMENSIONS



ILLUMINANCE AT DISTANCE



OPTICAL SYSTEM

Light Source: 56pcs white LEDs, single LED 5W

Beam angle: 15° -30° adjustable

SPECIFICATIONS

Colour Temperature: 3200K or 5600K

Control: DMX or manual button

IP rate: IP20

Inner Size: 860x285x285mm

Net Weight: 13kg

Gross weight: 15kg

ELECTRICAL SPECS

Power voltage: AC100-240V/50-60Hz

Power consumption: 220W

FEATURES

Zooming: Manual knob zoom

CRI: ≥93, TLCI≥91

Dimming: 16 bit above smooth flicker-free dimming

Fan speed & noisy changeable intelligently

Solar Pro 200Za TW/CW is consist of 56pcs white LEDs, high brightness with option of 3200K or 5600K. Custom made fan which make its speed and noisy changeable intelligently. Its powerful and compact lights make it an ideal choice for almost any type of application.