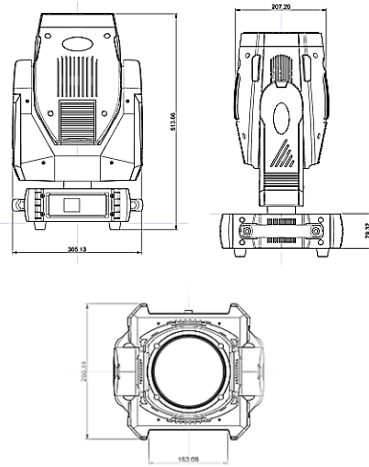


VELA 250B

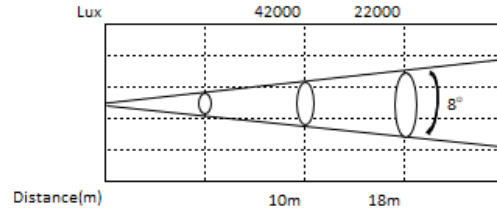
MOVING HEAD



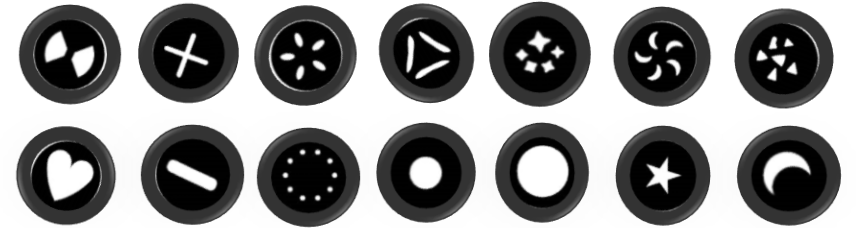
DIMENSIONS



ILLUMINANCE AT DISTANCE



FIXED GOBO



COLOUR



OPTICAL SYSTEM

Light Source: 250W High Output White Philip Bulb

Beam angle: 8°

SPECIFICATIONS

Pan/Tilt rotation: 540°/270°

Control: DMX 512, Master/Slave, Sound, Auto mode

Packing size: 450x370x530mm

Net Weight: 15kg

Display: Colour screen ; Body Colour: Black

ELECTRICAL SPECS

Power connection: Power in & out

Signal socket: 3 pin XLR connectors in/out

FEATURES

Gobo: 14 gobos + open

Colour wheel: 14 colours + open

Prism: 8 facet, 16 prism, 2 rotating, king, colourful prism

High speed strobe effect with 1-25 flashers per second

Focus, Frost Effect, Overheat protection

Vela 250B is the latest Moving head Beam by Nouvoled. Utilizing the latest 250W Philip Lamp, it produces higher output than any 250W moving head beam, yet still able to pack with more features. Vela 250B is the new work house for any beam application.