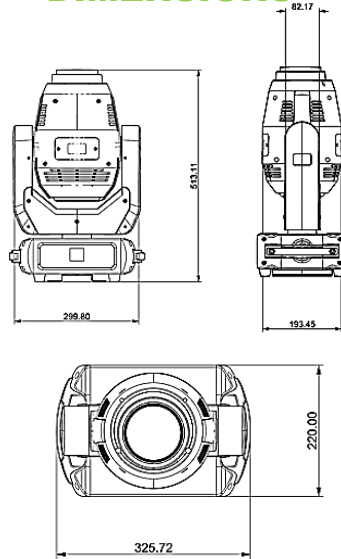


VIRGO 250S

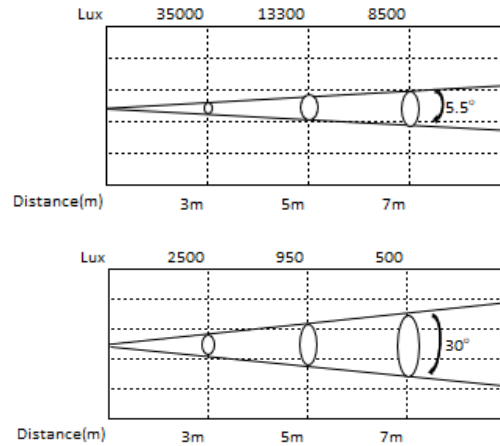
MOVING HEAD



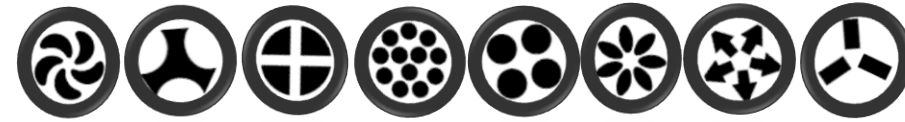
DIMENSIONS



ILLUMINANCE AT DISTANCE



FIXED GOBO



ROTATION GOBO



COLOUR



OPTICAL SYSTEM

Light Source: 250W LED

Zoom angle: 5.5° – 30°

SPECIFICATIONS

Pan/Tilt rotation: 540°/270° ; Dimmer: 0-100%

Control: DMX 512, Master/Slave, Sound, Auto mode

Dimensions: 320x220x480mm

Packing size: 365x280x600mm

Net Weight: 13.5kg ; Gross Weight: 16.5kg

Display: Colour screen ; Body Colour: Black

ELECTRICAL SPECS

Power connection: Power in & out

Signal socket: 3 pin & 5 pin in & out

FEATURES

Static Gobo: 8 gobos + open, wheel rotation & shake

Rotation Gobo: 7 gobos + open, wheel rotation & shake

Colour wheel: 7 colours + open with rainbow effect

Prism: 8 facet prism, rotation prism

Focus, Frost Effect, Overheat protection

Virgo250S is the latest introduction of LED moving head spot by Nouvoled with extreme efficient output, packed with many features within a compact frame. Virgo 250S is suitable for any sort of installation from small to midsize venue