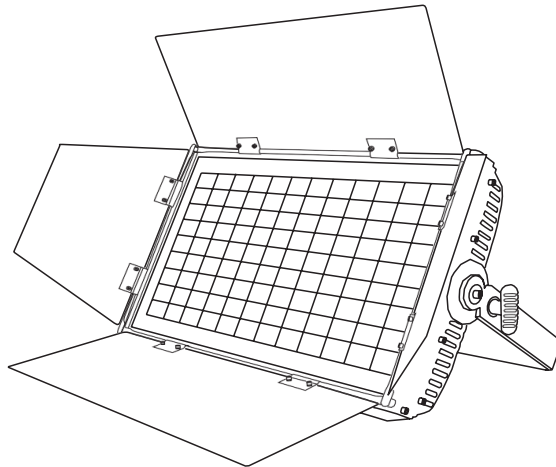





DEPICT CYC 1083

108pcs*3W RGB FLOOD LIGHT



CE RoHS  IP65

User Manual

1 SAFETY INSTRUCTIONS



CAUTION

Be careful with your operations. With a dangerous voltage you can suffer a dangerous electric shock when touching wires!

This device has left the factory in perfect condition. In order to maintain this condition and to ensure a safe operation, it is absolutely necessary for the user to follow the safety instructions and warning notes written in this user manual.



IMPORTANT

Damages caused by the disregard of this user manual are not subject to warranty. The dealer will not accept liability for any resulting defects or problems.

If the device has been exposed to temperature changes due to environmental changes, do not switch it on immediately. The arising condensation could damage the device.

Leave the device switched off until it has reached room temperature.

This device falls under protection-class I. Therefore, it is essential that the device be earthed.

The electric connection must carry out by qualified person. The device shall only be used with rate voltage and frequency.

Make sure that the available voltage is not higher than stated at the end of this manual.

Make sure the power cord is never crimped or damaged by sharp edges. If this would be the case, replacement of the cable must be done by an authorized dealer.

Always disconnect from the mains, when the device is not in use or before cleaning it. Only handle the power cord by the plug. Never pull out the plug by tugging the power cord.

During initial start-up some smoke or smell may arise. This is a normal process and does not necessarily mean that the device is defective, it should decrease gradually.

Please don't project the beam onto combustible substances.

Fixtures cannot be installed on combustible substances, keep more than 50cm distance with wall for smooth air flow, so there should be no shelter for fans and ventilation for heat radiation.

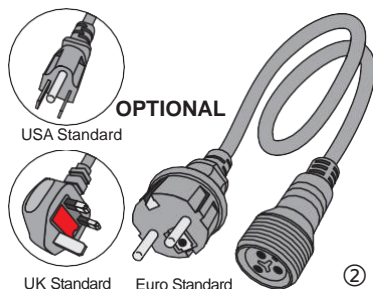
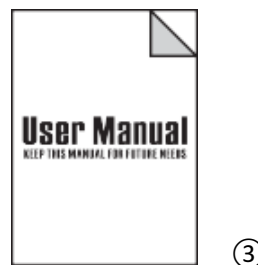
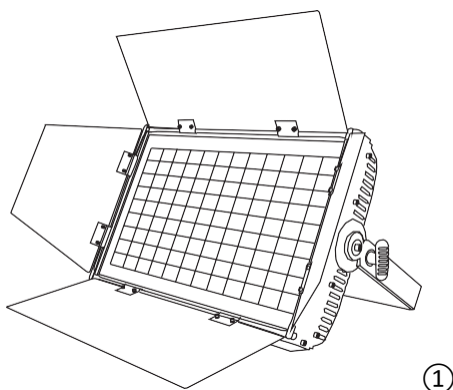
If the external flexible cable or cord of this luminaire is damaged, it shall be exclusively replaced by the manufacturer or his service agent or a similar qualified person in order to avoid a hazard.

2 Unpacking

Thank you for choosing our 108pcs*3W RGB LED FLOOD LIGHT. For your own safety, please read this manual before installing the device. This manual covers the important information on installation and applications. Please install and operate the fixture with following instructions. Meanwhile, please keep this manual well for future needs.

The 108pcs*3W RGB LED FLOOD LIGHT is made of a new type of high temperature strength of cast aluminum casing with nice outlook. The fixture is designed and manufactured strictly following CE standards, complying with international standard DMX512 protocol. It's available independently controlled and linkable with each other for operation. And it is applicable for large-scale live performances, theater, studio, nightclubs and discos.

Please carefully unpack it when you receive the fixture and check whether it is damaged during the transportation. And please check whether the following items are included inside the box:



① 108pcs*3W CW flood light	1PC
② Power Cable	1PC
③ User Manual	1PC

3

FEATURES & SPECIFICATIONS

Features

- 108PCS*3W RGB LED
- 50,000 hours life span and low power consumption
- Flat and even projection with soft edge
- High intensity, long throw and 60° wide field angle
- Housing made by rugged, die cast aluminum alloy
- High-strength single handle design
- Barn door included
- Tripod stand as optional
- Fan-less no noise cooling system
- 0-100% Smooth and precise linear dimmer
- No noticeable color shift throughout the entire range
- Flicker-free at any frame rate or shutter angle
- 25T/sec high-speed shutter/strobe effect with variable speed
- Preset variable/random strobe and dimming pulse effect
- 3/6 DMX channels USITT DMX-512
- DMX512, master-slave, and sound control or auto operation
- LED display with 4 control buttons
- Waterproof power connectors IN/OUT
- 3-PIN DMX waterproof connectors IN/OUT
- 10°C to 40°C operation temperature
- Die-cast aluminum structure
- IP65 protection rating

Specifications

Input Voltage: AC100-240V 50/60Hz

Max. Power:320W

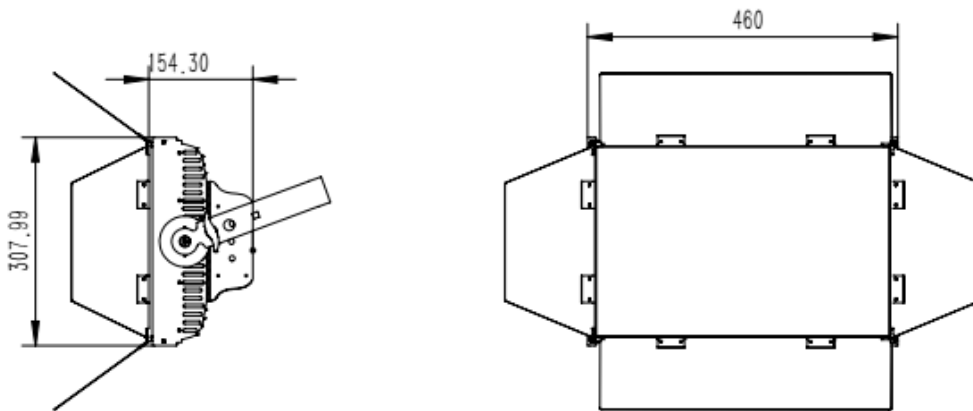
Product Size: 46*30.8*15.43cm

Packing Size: 59.5*38.5*23.5cm(1pc/carton)

Net Weight: 10.78kg

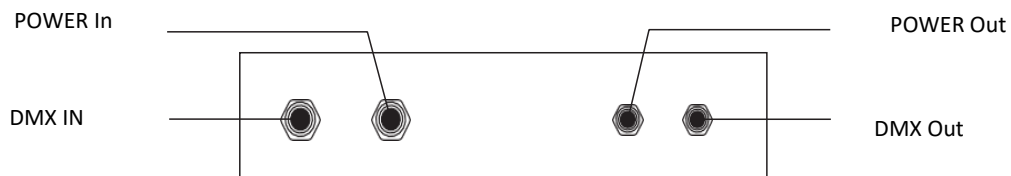
Gross Weight: 12kg

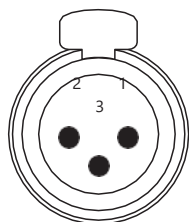
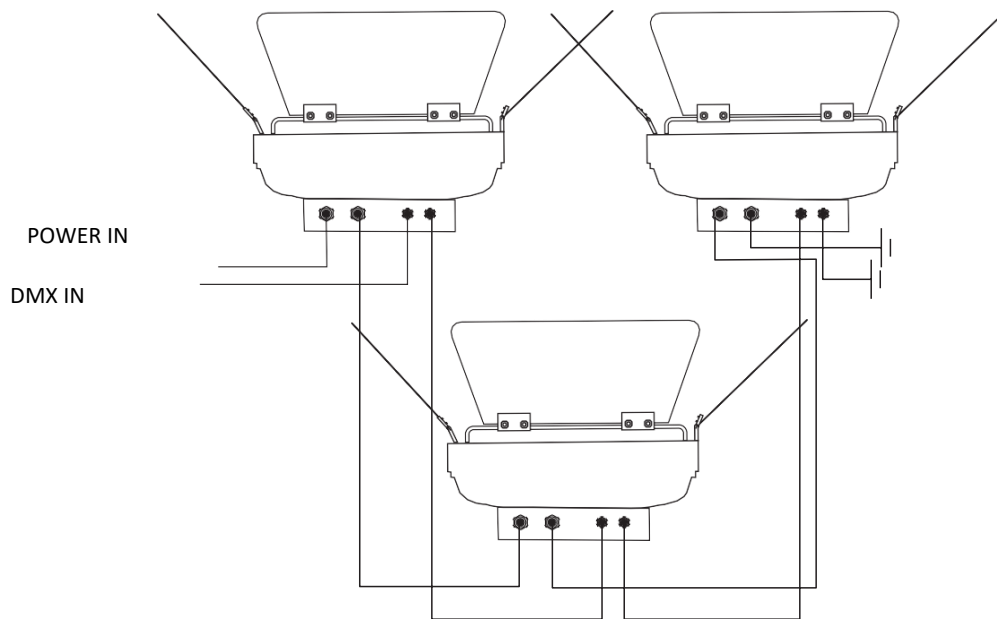
4 PRODUCT STRUCTURE::



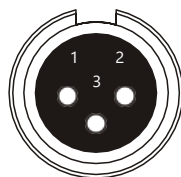
5 DMX-512 CONTROL CONNECTIONS

Connect the provided XLR cable to the female 3-pin XLR output of your controller and the other side to the male 3-pin XLR input of the moving head. You can chain multiple Moving head together through serial linking. The cable needed should be two core, screened cable with XLR input and output connectors. Please refer to the diagram below. DMX-512 connection with DMX terminator



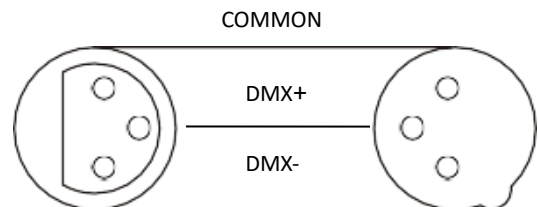


DMX OUT
3-Pin XLR Socket



DMX IN
3-Pin XLR Socket

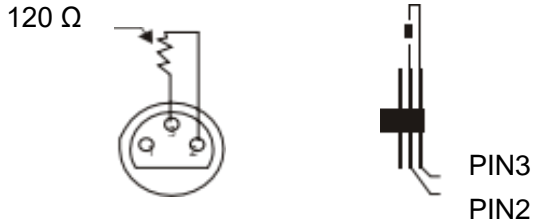
- 1: Ground
- 2: Data (-)
- 3: Data (+)



DMX512 OUT
3-Pin XLR

DMX512 IN
3-Pin XLR

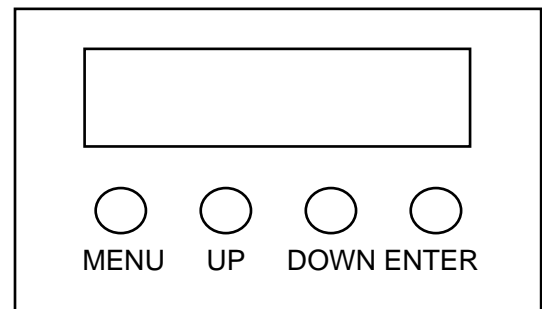
For installations where the DMX cable has to run a long distance or is in an electrically noisy environment, such as in a discotheque, it is recommended to use a DMX terminator. This helps in preventing corruption of the digital control signal by electrical noise. The DMX terminator is simply an XLR plug with a 120 Ω resistor connected between pins 2 and 3, which is then plugged into the output XLR socket of the last fixture in the chain. Please see illustrations below.



6 MENU OPERATIONS

Key Operation

- 【MENU】 Main menu or back the last menu
- 【UP】 Choosing menu or data increase
- 【DOWN】 Choosing menu or data decrease
- 【ENTER】 Enter, choose the vice menu or end edit.



For example "Change the DMX address" , keys' usage as following:

- 1.If it isn't the main menu, you can press "MENU" (once or more than once) to back to main menu
- 2.In the main menu, press"UP" and"Down" to choose the"Running mode" and then press "ENTER" to enter running mode
- 3.In the"Running mode",press "UP" and"Down" to choose the"DMX mode" and then press "ENTER" to enter to sub menu
- 4.In the "DMX mode", pls choose"DMX address"
- 5.Press"ENTER" to enter edit status(edit hundreds place first, and then press "ENTER"edit decade, press "ENTER"edit the unit finally)
- 6.Press "UP"and "Down" to change dmx address (hold down the key for long time is supported)
- 7.Press"ENTER" to exit the edit status

Running State

Running state	Show	description
DMX model	Axxx	"A" for standard channel model, "XXX" for the address code
	Dxxx	"D" for simple channel model, "XXX" for address code
Static model	STAT	
Auto model	Atxx	"AT" for auto run, "xx" for program
Sound model	SUDx	"SUD" for sound control, "x" for sound control model
Button model	VRAD	

Display

Main Menu

Menu	Operation	Option	Description
Language	Press "Enter" to change language	English	
		Chinese	
Screen Protect	Press "Enter" change the methods of protecting screen	State	Show the running state
		LOGO	Show LOGO
		Black screen	Black screen
		Close	No screen protects
Run model	Press "Enter" key enter vice menu		
Information	Press "Enter" key enter vice menu		
Advanced	Press "Enter" key enter vice menu		

Running Model

Menu	Operation	Description of vice menu
DMX model	Press "Enter" key choose this model	It's the slave model, can be recognized the signal from controller or Master light.
State model	As above	Can set the color and strobe, it's the master model
Auto run model	As above	Can choose program and the speed, it's the master model
Sound model	As above	Can choose sound model, it's master model
Button model		This is individual model, cannot receive or transmit the signal

Information interface

Menu	Description
Software	Show the name of software
Version	Show the version
Current temperature	Show the current temperature of the light
DMX condition	Four kinds of situation: "Normal"(Slave model, with signal), "None"(Slave model, without signal), "Master model", "Individual")

Advanced

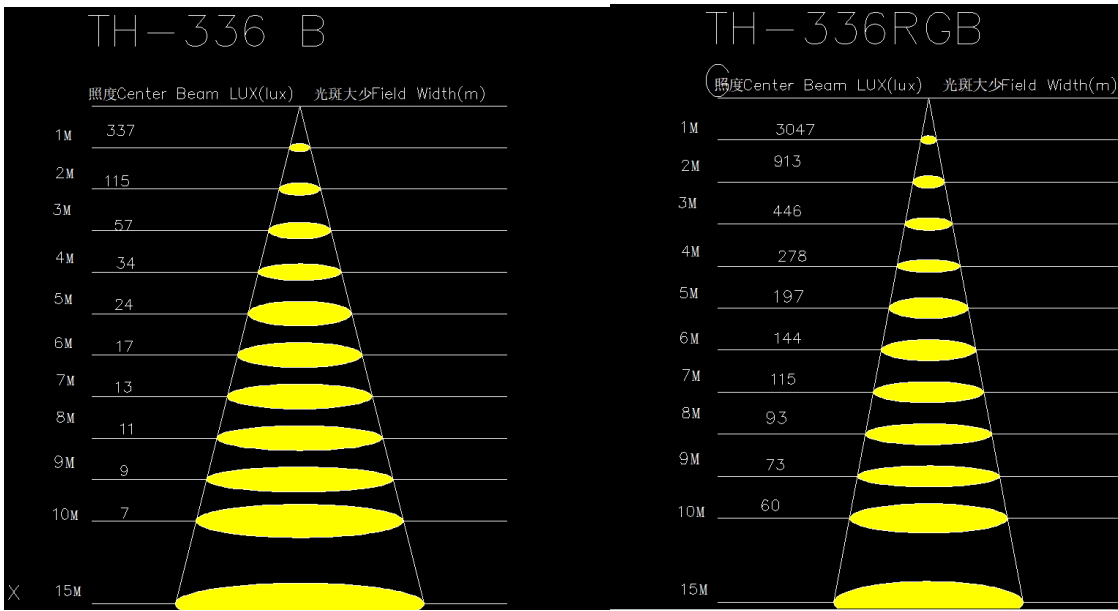
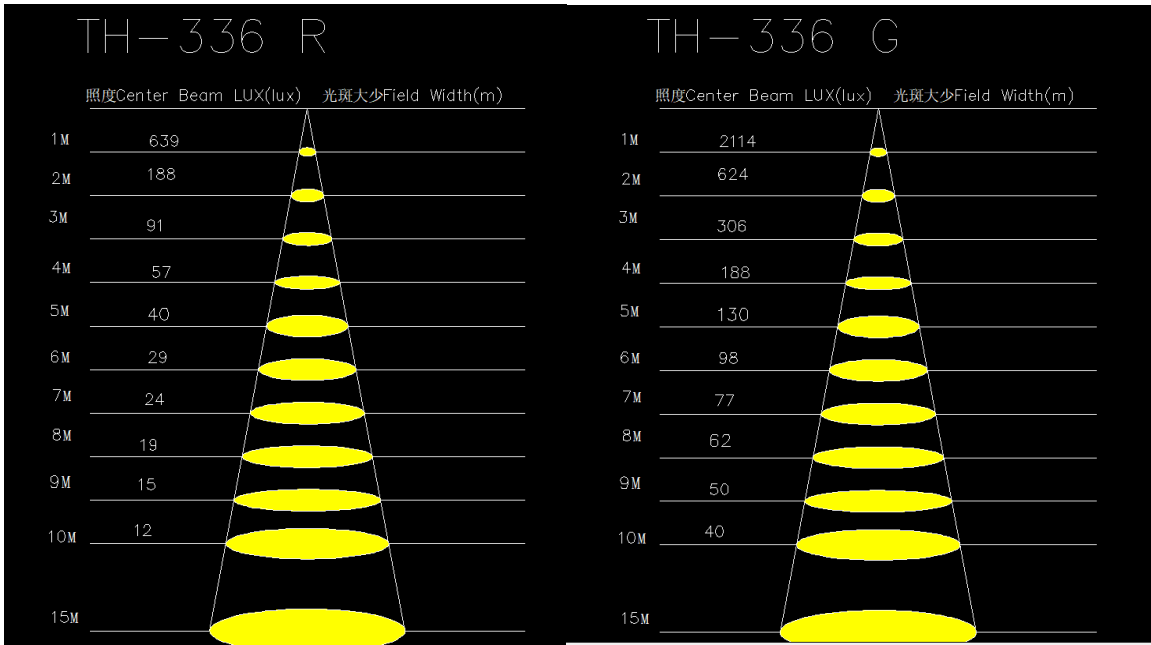
Menu	Operation
Temperature protect	Press"Enter"key and Press"UP""DONW"to set the protect temperature
Reset	Press"Enter" and after the confirm it, press"Enter"again then reset the product

Standard channel model

CH	Data	Function	Remark
1	0~255	Dimmer	
2	0~255	Color 1	
3	0~255	Color 2	
4	0~255	Color 3	
5	0~10	No strobe	Running inner program, this channel can control the speed.
	11~255	Speed pf strobe (255 is fastest)	
6	0~20	Dimmer speed 4 (slowest and smoothest)	The speed can be controlled by channel 4
	21~40	Dimmer speed 3	
	41~60	Dimmer speed 2	
	61~80	Dimmer speed 1	
	81~99	Dimmer speed OFF (fastest, no delay)	
	100~109	Inner program 1	
(each 10 data for program)	
	190~199	Inner program 10	
	200~240	Change color by sound Control	
	241~255	Strobe by Sound Control	

Basic channel model

channel	data	function
1	0~255	color 1
2	0~255	color 2
3	0~255	color 3



9

OPERATION INSTRUCTION

- The 108PCS*3W RGB FLOOD LIGHT is an LED soft light for on-site decoration purpose.
 - Don't turn on the fixture if it's been through severe temperature difference like after transportation because it might damage the light due to the environment changes. So, make sure to operate the fixture until it is in normal temperature.
 - This light should be kept away from strong shaking during any transportation or movement.
 - Don't pull up the light by only the head, or it might cause damages to the mechanical parts.
 - Don't expose the fixture in overheat, moisture or environment with too much dust when installing it. And don't lay any power cables on the floor. Or it might cause electronic shock to the people.
 - Make sure the installation place is in good safety condition before installing the fixture.
 - Make sure to put the safety chain and check whether the screws are screwed properly when installing the fixture.
-
- Make sure the fixture is operated by qualified personnel who knows the fixture before using.
 - Keep the original packages if any second shipment is needed.
 - Don't try to change the fixtures without any instruction by the manufacturer or the appointed repairing agencies.
 - It is not in warranty range if there are any malfunctions from not following the user manual to operate or any illegal operation, like shock short circuit, electronic shock, lamp broke, etc.

10 INSTALLATIONS

Cautions: For added protection mount the fixtures in areas outside walking paths, seating areas, or in areas where the fixture might be reached by unauthorized personnel. Before mounting the fixture to any surface, make sure that the installation area can hold a minimum point load of 10 times the device's weight.

Fixture installation must always be secured with a secondary safety attachment, such as an appropriate safety cable.

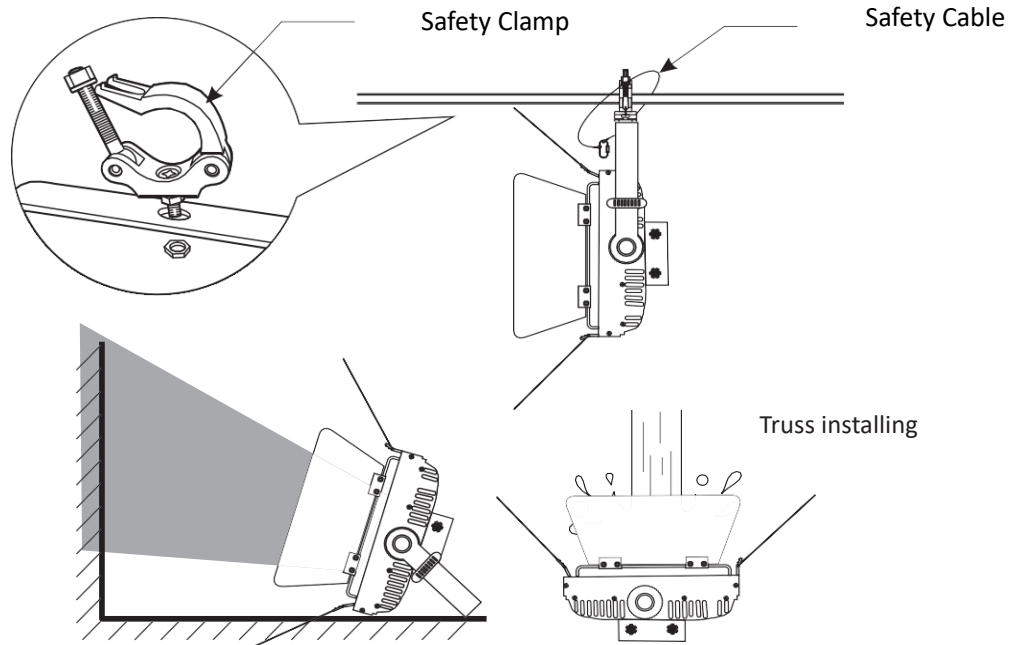
Never stand directly below the device when mounting, removing, or servicing the fixture. from a ceiling, or set on a flat level surface (see illustration below). Be sure this fixture is kept at least 0.5m (1.5 ft) away from any flammable materials (decoration etc.). Always use and install the supplied safety cable as a safety measure to prevent accidental damage and/or injury in the event the clamp fails.

Mounting points: Overhead mounting requires extensive experience, including amongst others calculating working load limits, a fine knowledge of the installation material being used, and periodic safety inspection of all installation material and the fixture. If you lack these qualifications, do not attempt the installation yourself.

Improper installation can result in bodily injury.

Be sure to complete all rigging and installation procedures before connecting the main power cord to the appropriate wall outlet.

Clamp Mounting: The 108pcs*3W RGB LED FLOOD LIGHT provides a unique mounting bracket assembly, and the safety cable rigging point in one unit (see the illustration below). When mounting this fixture to truss be sure to secure an appropriately rated clamp to the handle using a M10 screw fitted through the center hole of the handle. As an added safety measure, be sure to attached at least one properly rated safety cable to the fixture using one of the safety cable rigging point.



11 *Cleaning and maintenance*

Now ignoring maintenance and cleaning is very good way of creating problems "down the road" and many companies and installations do just that. However, the net result is, no matter what the fixture, premature failure!

Changing the oil in a car, most people do on a regular basis.

So, with the fixtures, regular maintenance it an excellent practice, if you want the fixtures to last.

So, what is the maintenance for the fixture?

Clean the light!

Turn off the led soft panel light.

Using a small vacuum cleaner, suck the dust and "fur balls" out.

Do not use a can of co². That will just blast the dust and dirt everywhere!

vacuum the fixtures on a regular basis.

The shutter blades sometimes require cleaning as well.

With the led soft panel light turned off, use only a moist lint-free cloth. Never use alcohol or solvents to clean the fixture.

Never spray anything onto the fixture at the front or in any place on the fixture.