



LUSTROUS 100 COB CC

IP65



User Manual

LED Display

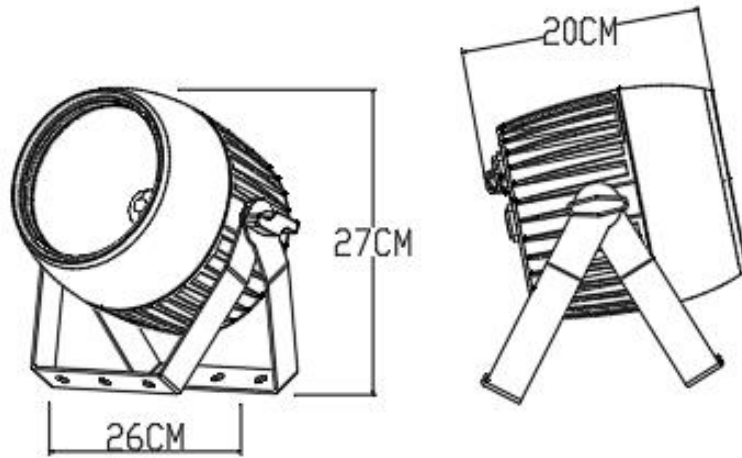
Menu	Function	Index
D001	DMX4 channel	1~512
A001	DMX8 channel	1~512
CC99	Auto run mode	0~99
CP99	Pulse color change	0~99
DE99	Gradual color change	0~99
R255	Red	0~255
G255	Green	0~255
B255	Blue	0~255
W255	White	0~255
ST00	Strobe	0~16

DMX channel list :

4ch	Function	Index
CH1	Red	0~255
CH2	Green	0~255
CH3	Blue	0~255
CH4	White	0~255

8CH	Function	Index
CH1	Dimmer	0~255
CH2	Strobe	0~255
CH3	Dimmer	0~49
	Auto run	50~124
	Pulse change	125~199
	Gradual change	200~255
CH4	Speed	0~255
CH5	Red	0~255
CH6	Green	0~255
CH7	Blue	0~255
CH8	White	0~255

Size :



Specification:

Voltage	100V ~ 240V
Led chip	4in1/80W COB
Color	RGBW
Power connector	110V voltage, max 30units 220V voltage max 60units
Dmx connector	Max 70units
Weight	4.5kg