



# LUSTROUS 0710 IP

**IP65**



**User Manual**

**Unpacking:** Thank you for purchasing the Lustrous 0710 IP by Nouvoled Products. Every Lustrous 0710 IP has been thoroughly tested and has been shipped in perfect operating condition. Carefully check the shipping carton for damage that may have occurred during shipping. If the carton appears to be damaged, carefully inspect your fixture for any damage and be sure all accessories necessary to operate the unit has arrived intact. In the case damage has been found or parts are missing, please contact our toll-free customer support number for further instructions. Do not return this unit to your dealer without first contacting customer support.

**Introduction:** The Lustrous 0710 IP is a DMX intelligent, IP rated Lustrous 0710 IP. This fixture can be used in a stand-alone mode or connected in a Master/Slave configuration. This par has multiple operating modes: RGBW dimmer mode, Static Color mode, Auto Run mode, Color Macro mode, and DMX control. ***This product is intended to be used by professionally trained personnel only and is not suitable for private use.***

These instructions contain important safety information regarding the use and maintenance of this unit. Please keep this manual with the unit, for future reference.

**Caution!** There are no user serviceable parts inside this unit. Do not attempt any repairs yourself, doing so will void your manufactures warranty.

***PLEASE recycle the shipping carton whenever possible.***

## Synopsis

- Multi Colors Dimmer
- Multi Operating Modes
- Linear Dimming 0-100%
- DMX-512 protocol
- IP65 Locking 3-Pin XLR Connections In/Out
- Two DMX Modes: 4 Channel Mode, 8 Channel Mode
- Multiple Unit Power Linking

Included:

1 x IP65 Locking Power Cable

## Installation

The unit should be mounted using a mounting clamp (not provided), affixing it to the mounting bracket that is provided with the unit. Always ensure that the unit is firmly fixed to avoid vibration and slipping while operating. Always ensure that the structure to which you are attaching the unit is secure and is able to support a weight of 10 times the unit's weight. Also, always use a safety cable that can hold 12 times the weight of the unit when installing the fixture.

The equipment must be installed by a professional, and it must be installed in a place where it is out of the reach of people's grasp.

**Ensure ALL connections and end caps are properly sealed with a non-conductive dielectric grease (available at most electrical suppliers) to prevent water ingress/condensation and/or corrosion**

## Safety Guidelines

- Do not attempt to operate this unit if the power cord has been frayed or broken. Do not attempt to remove or break off the ground prong from the electrical cord. This prong is used to reduce the risk of electrical shock and fire in case of an internal short.
- Disconnect from main power before making any type of connection.
- Do not remove the cover under any conditions. There are no user serviceable parts inside.
- Never operate this unit when it's cover is removed.
- Never plug this unit in to a dimmer pack
- Always be sure to mount this unit in an area that will allow proper ventilation. Allow about 6" (15cm) between this device and a wall.
- Do not attempt to operate this unit, if it becomes damaged.
- During long periods of non-use, disconnect the unit's main power.
- Always mount this unit in safe and stable matter.
- Power-supply cords should be routed so that they are not likely to be walked on or pinched by items placed upon or against them, paying particular attention to the point they exit from the unit.
- Cleaning -The fixture should be cleaned only as recommended by the manufacturer. See page 24 for cleaning details.
- Heat -The appliance should be situated away from heat sources such as radiators, heat registers, stoves, or other appliances (including amplifiers) that produce heat.
- The fixture should be serviced by qualified service personnel when:
  - A. The power-supply cord or the plug has been damaged.
  - B. Objects have fallen, or liquid has been spilled into the fixture.
  - C. The fixture does not appear to operate normally or exhibits a marked change in performance.
  - D. The fixture has fallen and/or subjected to extreme handling.

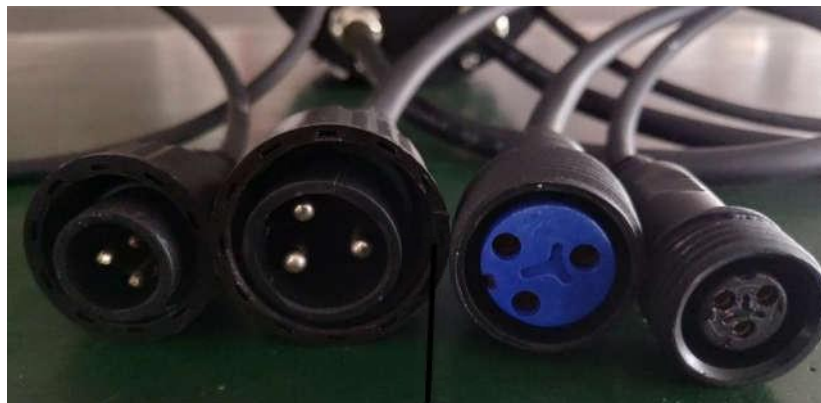
**IP65 RATED**

An IP rated lighting fixture is one, which is commonly installed in outdoor environments and has been designed with an enclosure that effectively water. The **International Protection (IP)** rating system is commonly expressed as "**IP**" (Ingress Protection) followed by two numbers (i.e. IP65) where the numbers define the degree of protection. The first digit (Foreign Bodies Protection) indicates the extent of protection against particles entering the fixture and the second digit (Water Protection) indicates the extent of protection against water entering the fixture. An IP65 rated lighting fixture is one, which has been designed and tested to protect against the ingress of dust (6) and low-pressure water jets from any direction (5).

**MARINE / COASTAL ENVIRONMENT INSTALLATIONS!**

**Please note although this fixture is IP rated, the fixture is NOT suitable for marine and/or coastal environment installations. Installing this fixture in a marine and/or coastal environment may cause corrosion and/or excessive wear to the interior and/or exterior components of the fixture. Damages and/or performance issues resulting from installation in a marine and/or coastal environment will void the manufactures warranty and will NOT be subject to any warranty claims and/or repairs.**

LED Display  
Mode button  
Up button  
Down button  
Enter button



IP65 Locking Power  
Connection In/Out  
IP65 Locking Signal  
3P Connector In/Out

**DMX-512:** DMX is short for Digital Multiplex. This is a universal protocol used as a form of communication between intelligent fixtures and controllers. A DMX controller sends DMX data instructions from the controller to the fixture. DMX data is sent as serial data that travels from fixture to fixture via the DATA “IN” and DATA “OUT” XLR terminals located on all DMX fixtures (most controllers only have a DATA “OUT” terminal).

**DMX Linking:** DMX is a language allowing all makes and models of different manufactures to be linked together and operate from a single controller, as long as all fixtures and the controller are DMX compliant. To ensure proper DMX data transmission, when using several DMX fixtures try to use the shortest cable path possible. The order in which fixtures are connected in a DMX line does not influence the DMX addressing. For example; a fixture assigned a DMX address of 1 may be placed anywhere in a DMX line, at the beginning, at the end, or anywhere in the middle. When a fixture is assigned a DMX address of 1, the DMX controller knows to send DATA assigned to address 1 to that unit, no matter where it is located in the DMX chain.

**Data Cable (DMX Cable) Requirements (For DMX Operation):** The Lustrous 0710 IP can be controlled via DMX-512 protocol. The Lustrous 0710 IP has 2 DMX channel modes. The DMX address is set on the back panel of the Lustrous 0710 IP. Your unit and your DMX controller require a standard 3-pin XLR connector for data input and data output. We recommend Accu-Cable DMX cables. If you are making your own cables, be sure to use standard 110-120 Ohm shielded cable (This cable may be purchased at almost allpro lighting stores).

**Notice:** Be sure to follow figures two and three when making your own cables. Do not use the ground lug on the XLR connector. Do not connect the cable’s shield conductor to the ground lug or allow the shield conductor to come in contact with the XLR’s outer casing. Grounding the shield could cause a short circuit and erratic behavior.

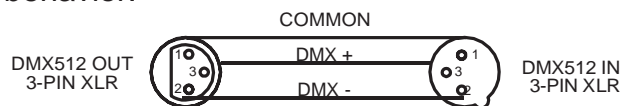


Figure 1

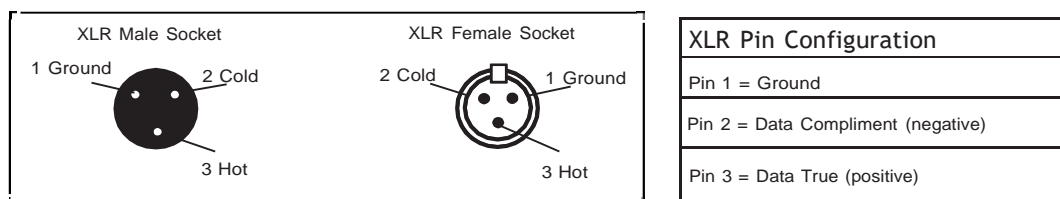
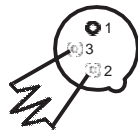


Figure 2

**Special Note: Line Termination.** When longer runs of cable are used, you may need to use a terminator on the last unit to avoid erratic behavior. A terminator is a 110-120 ohm 1/4 watt resistor which is connected between pins 2 and 3 of a male XLR connector (DATA + and DATA -). This unit is inserted in the female XLR connector of the last unit in your daisy chain to terminate the line. Using a cable terminator will decrease the possibilities of erratic behavior.



Termination reduces signal errors and avoids signal transmission problems and interference. It is always advisable to connect a DMX terminal, (Resistance 120 Ohm 1/4 W) between PIN 2 (DMX-) and PIN 3 (DMX +) of the last fixture.

Figure 3

All fixtures should be given a DMX starting address when using a DMX controller, so the correct fixture responds to the correct control signal. This digital starting address is the channel number from which the fixture starts to “listen” to the digital control signal sent out from the DMX controller. The assignment of this starting DMX address is achieved by setting the correct DMX address on the digital control display on the fixture.

You can set the same starting address for all fixtures or a group of fixtures, or set different addresses for each individual fixture. Setting all fixtures to the same DMX address will cause all fixtures to react in the same way, in other words, changing the settings of one channel will affect all the fixtures simultaneously.

If you set each fixture to a different DMX address, each unit will start to “listen” to the channel number you have set, based on the quantity of DMX channels of each fixture. That means changing the settings of one channel will only affect the selected fixture.

In the case of the Lustrous 0710 IP, when in 8 channel mode you should set the starting DMX address of the first unit to 1, the second unit to 9 (8 + 1), the third unit to 17 (8 + 9), and so on. (See chart below for more details.)

Channel Mode	Unit 1 Address	Unit 2 Address	Unit 3 Address	Unit 4 Address
4 channels	1	5	9	13
8 channels	1	9	17	25

## DMX Traits & Values

4CH	describe	parameter
CH1	R dimmer 0-100%	0~255
CH2	G dimmer 0-100%	0~255
CH3	B dimmer 0-100%	0~255
CH4	W dimmer 0-100%	0~255

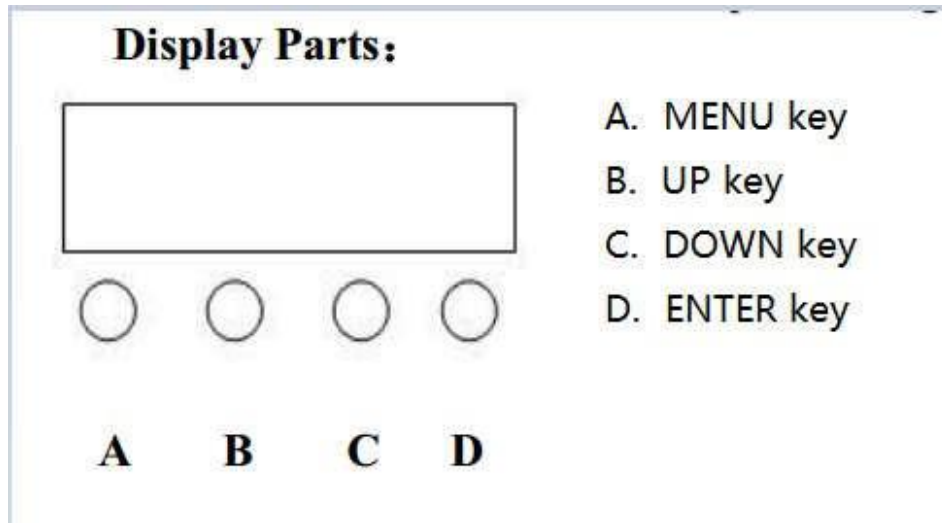
8CH	describe	parameter
CH1	Main Dimmer	0~255
CH2	Strobe Speed(slow->fast)	0~255
CH3	Dimmer Mode	0~50
	Auto Mode	51~125
	Pulse Mode	126~200
	Gradually Mode	201~255
CH4	Mode Speed	0~255
CH5	R dimmer 0-100%	0~255
CH6	G dimmer 0-100%	0~255
CH7	B dimmer 0-100%	0~255
CH8	W dimmer 0-100%	0~255



## Software Version

≤ V1.04

Display	Describe	Parameter
D001	DMX 4CH Mode/Master-Slave Mode	1~512
A001	DMX 8CH Mode / Master-Slave Mode	1~512
CC70	Auto Mode	0~99
CP70	Pulse Mode	0~99
DE70	Gradually Mode	0~99
R255	R Dimmer	0~255
G255	G Dimmer	0~255
B255	B Dimmer	0~255
W255	W Dimmer	0~255
ST00	Strobe Speed(slow->fast)	0~16



MENU: Mode Setting Key

UP: Parameter Settings Key. parameters add

DOWN: Parameter Settings Key. parameters sub

ENTER: Data Save Key.

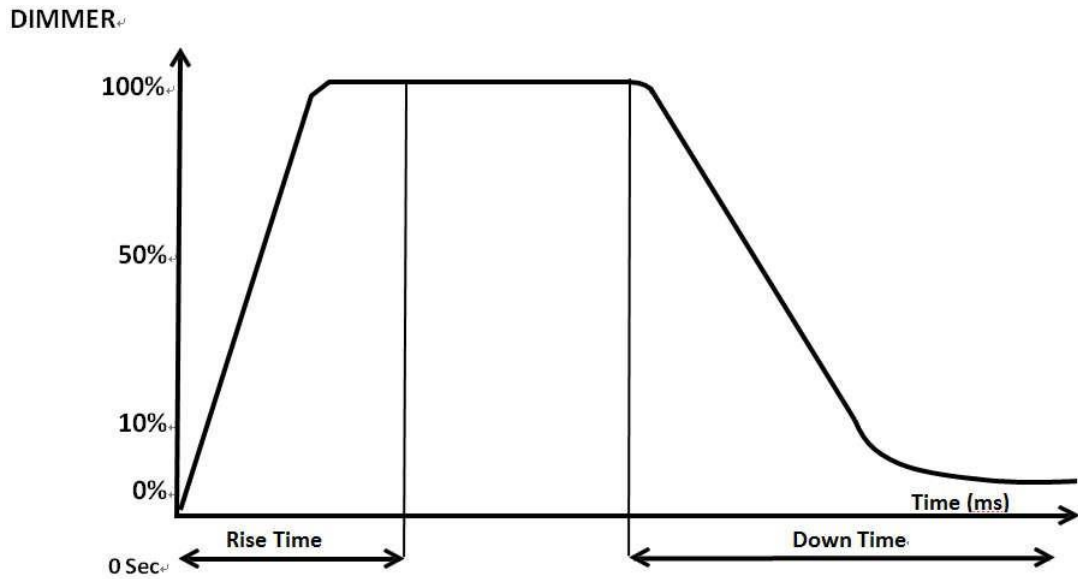
## Master-Slave Configuration

### ***Master-Slave Configuration:***

This function will allow you to link units together to run in a Master-Slave set-up. In a Master-Slave set up one unit will act as the controlling unit and the others will react to the controlling units' built-in programs. Any unit can act as a Master or as a Slave however, only one unit can be programmed to act as the "Master."

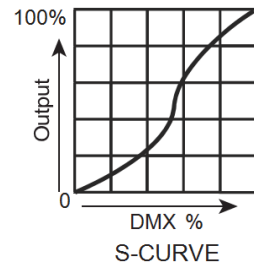
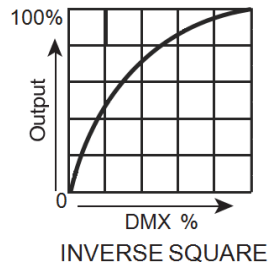
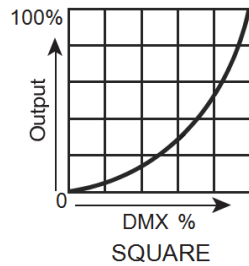
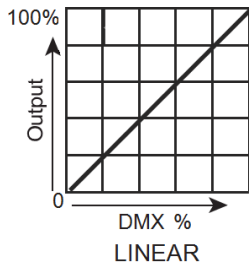
### ***Master-Slave Connections and Settings:***

1. Daisy chain your units via the XLR connector on the rear of the unit. Use standard XLR data cables to link your units together. Remember that the Male XLR connector is the input and the Female XLR connector is the output. The first unit in the chain (master) will use the female XLRconnector only. The last unit in the chain will use the male XLR connector only.
2. Connect the first "Slave" unit to the "Master."



Dimming Mode Ramp Effect	0 sec Fade Time		1 sec Fade Time	
	Rise Time (ms)	Down Time (ms)	Rise Time (ms)	Down Time (ms)
Standard (default)	0	0	0	0
Stage	780	110	154	166
TV	118	152	186	194
Architectural	138	173	204	212
Theatre	158	194	223	228

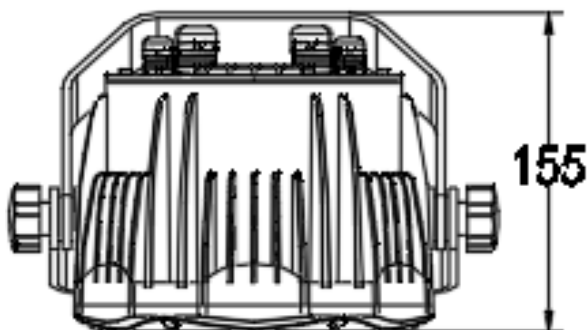
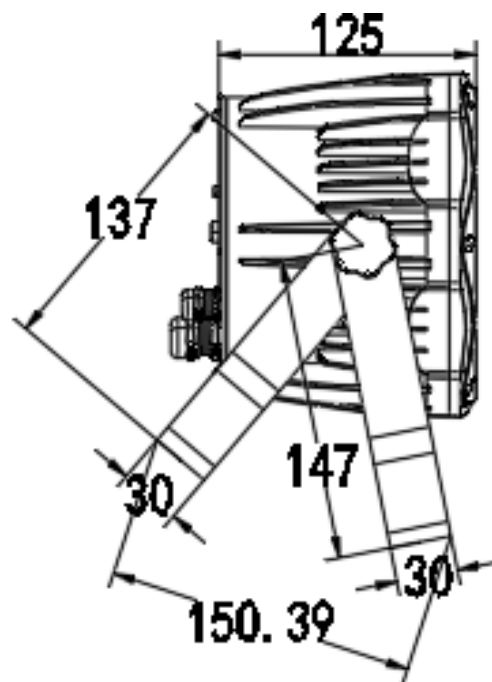
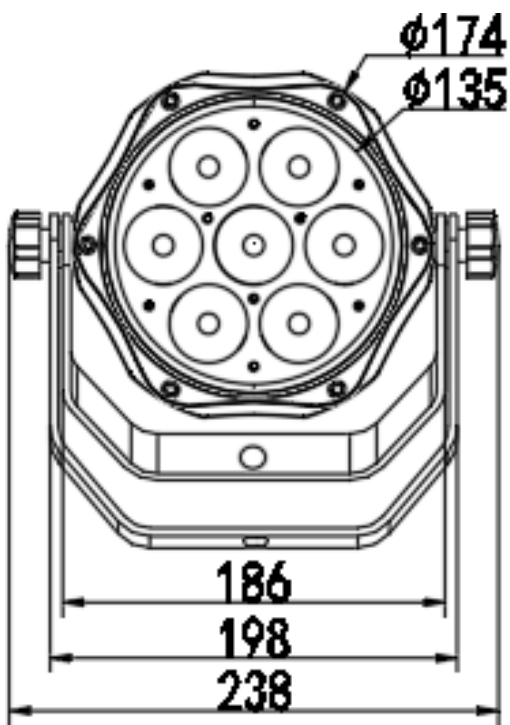
### Dimmer Curve Chart



# Dimensional Drawing

*\*NOT TO SCALE*

*unit : mm*



## Multiple Unit Power Linking

***With this feature you can connect the fixtures to one another using the power input and output sockets. The maximum that can be connected is 20 fixtures @ 120V and 40 fixtures @ 240V. After the maximum connected fixtures, you will need to use a new power outlet.***

***NOTE: USE CAUTION WHEN POWER LINKING OTHER FIXTURES TO THE LUSTROUS 0710 IP AS THE POWER CONSUMPTION OF OTHER LIGHTING FIXTURES WILL VARY!***

## Trouble Shooting

Listed below are a few common problems the user may encounter, with solutions.

### ***Unit not responding to DMX:***

1. Check that the DMX cables are connected properly and are wired correctly (pin 3 is “hot”; on some other DMX devices pin 2 may be ‘hot’). Also, check that all cables are connected to the right connectors; it does matter which way the inputs and outputs are connected.

## Cleaning

Due to fog residue, smoke, and dust cleaning the internal and external optical lenses must be carried out periodically to optimize light output.

1. Use normal glass cleaner and a soft cloth to wipe down the outside casing.
2. Clean the external optics with glass cleaner and a soft cloth every 20 days.
3. Always be sure to dry all parts completely before plugging the unit back in.

Cleaning frequency depends on the environment in which the fixture operates (i.e. smoke, fog residue, dust, dew).

## Technical Specifications

### **Model: LUSTROUS 0710 IP**

Voltage:	100V ~ 240V/50~60Hz
LEDs:	7 x 10W 4-in-1 LED's
IP Rating:	IP65
Working Position:	Any safe working position
Power Draw:	70W
Power Linking:	20 Fixtures Max. @ 120V 40 Fixtures Max. @ 240V
Weight:	3.5 Kgs.
Dimensions:	195 x 230 x 180mm
Colors:	RGBW Color Mixing
DMX Channels:	4 DMX Modes&8 Channel Mode,
Warranty:	2 Year

**Please Note:** Specifications and improvements in the design of this unit and this manual are subject to change without any prior written notice.