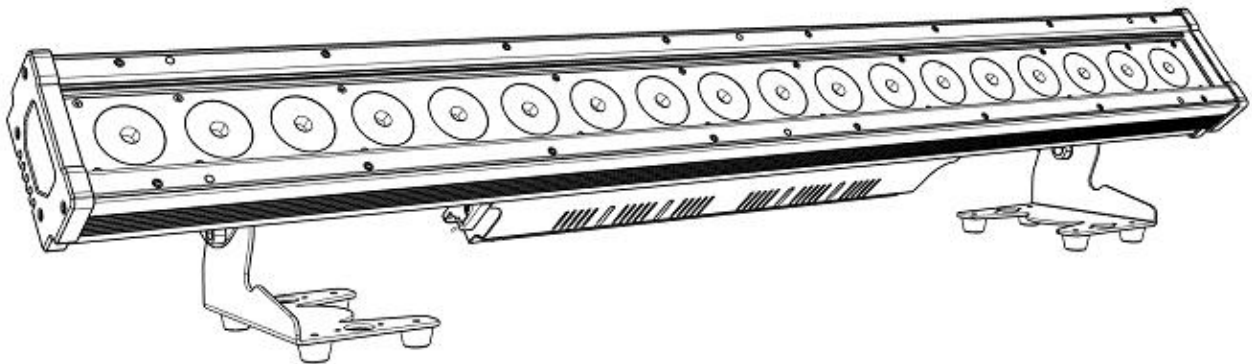




NOUVOLED ARIES BAR 1815 IP

18x15W Pixel bar



USER MANUAL

Unpacking:

Every light fixture has been thoroughly tested and has been shipped in perfect operating condition. Carefully check the shipping carton for damage that may have occurred during shipping. If the carton appears to be damaged, carefully inspect your fixture for any damage.

Introduction:

NOUVOLED ARIES BAR 1815 IP is a DMX intelligent, IP rated LED Bar fixture. This fixture can be used in a stand-alone mode or connected in a Master/Slave configuration or sound active mode, auto run mode. This bar has multiple operating modes: RGBWA UV dimmer mode, Static. Color mode, Auto Run mode, Color Macro mode, and DMX control.

This product is intended to be used by professionally trained personnel only and is not suitable for private use.

These instructions contain important safety information regarding the use and maintenance of this unit. Please keep this manual with the unit, for future reference.

Caution!

There are no user serviceable parts inside this unit. Do not attempt any repairs yourself.

PLEASE recycle the shipping carton whenever possible.

Display mode:

Display	Function	Index
Mode: DMX Addr:001	DMX mode/master and slave DMX address	1~512
Mode: CH 06CH	DMX mode/master and slave Channel option	6/8/11/108/110
Mode: Led Mode:01	Effect mode	1~25
Mode: SP Mode:50	Effect speed	00~99(50)
Mode: BE Sound:15	Sound active	00~20
Mode: Dim LedR:255	Red dimmer	000~255
Mode: Dim LedG:000	Green dimmer	000~255
Mode: Dim LedB:000	Blue dimmer	000~255
Mode: Dim	White dimmer	000~255

LedW:000		
Mode: Dim LedY:000	Amber dimmer	000~255
Mode: Dim LedP:000	Purple dimmer	000~255
Mode: ST Speed:00	Strobe speed	00~99
Setting Setting	Set	
	Display:	ON/OFF
	Dmx Fail:	Hold/Blackout

DMX Channel set:

6CH:		
Channel list	Function	Index
CH1	Red dimmer	0~255
CH2	Green dimmer	0~255
CH3	Blue dimmer	0~255
CH4	White dimmer	0~255
CH5	Yellow dimmer	0~255
CH6	Purple dimmer	0~255

8CH		
Channel list	Function	Index
CH1	Dimmer	0~255
CH2	Strobe	0~255
CH3	Red dimmer	0~255
CH4	Green dimmer	0~255
CH5	Blue dimmer	0~255
CH6	White dimmer	0~255
CH7	Yellow dimmer	0~255

CH8	Purple dimmer	0~255
-----	---------------	-------

11CH		
Channel list	Function	Index
CH1	Function	0~255
CH2	Dimmer	0~255
CH3	Dimmer	0~15
	Effect 1	16~25
	Effect 2	26~35
	Effect 3	36~45

	Effect 22	226~235
	Marco sound active	236~245 246~255
CH4	Mode speed/marco color	0~255
CH5	Mode effect direction	0~127: left to right 128~255:right to left
CH6	Red dimmer	0~255
CH7	Green dimmer	0~255

CH8	Blue dimmer	0~255
CH9	White dimmer	0~255
CH10	Yellow dimmer	0~255
CH11	Purple dimmer	0~255

108CH:		
Channel list	Function	Index
CH1	R1 Dimmer	0~255
CH2	G1 Dimmer	0~255
CH3	B1 dimmer	0~255
CH4	W1 dimmer	0~255
CH5	Y1 dimmer	0~255
CH6	P1 dimmer	0~255
...		
CH107	Y18 dimmer	0~255
CH108	P18 dimmer	0~255

110CH		
Channel list	Function	Index

CH1	Dimmer	0~255
CH2	Strobe	0~255
CH3	R1 dimmer	0~255
CH4	G1 dimmer	0~255
CH5	B1 dimmer	0~255
CH6	W1 dimmer	0~255
CH7	Y1 dimmer	0~255
CH8	P1 dimmer	0~255
...		
CH109	Y18 dimmer	0~255
CH110	P18 dimmer	0~255

An IP rated lighting fixture is one, which is commonly installed in outdoor environments and has been designed with an enclosure that effectively water. The ***International Protection (IP)*** rating system is commonly expressed as "***IP***" (Ingress Protection) followed by two numbers (i.e. IP66) where the numbers define the degree of protection. The first digit (Foreign Bodies Protection) indicates the extent of protection against particles entering the fixture and the second digit (Water Protection) indicates the extent of protection against water entering the fixture. An IP65 rated lighting

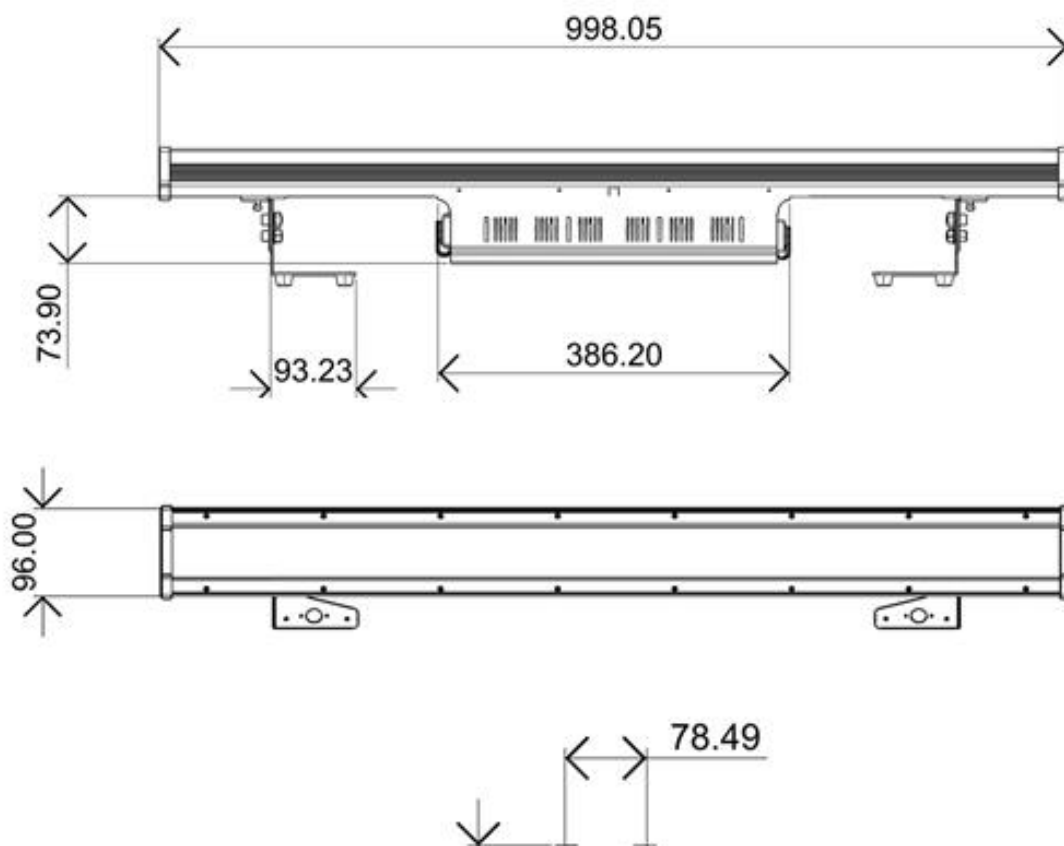
fixture is one, which has been designed and tested to protect against the ingress of dust and low-pressure water jets from any direction.

MARINE COASTAL ENVIRONMENT INSTALLATIONS !



Although this fixture is IP rated, the fixture is NOT suitable for marine and/or coastal environment installations. Installing this fixture in a marine and/or coastal environment may cause corrosion and/or excessive wear to the interior and/or exterior components of the fixture. Damages and/or performance issues resulting from installation in a marine and/or coastal environment will void the manufactures warranty and will NOT be subject to any warranty claims and/or repairs.

Specific size:



Specifications

Product type: Professional Outdoor LED Pixel Bar

Power voltage: AC110V-240V/50-60Hz

LED type :18x15W RGBWA + UV 6in1

LED(Pixel); Beam angle :15/30/45/60 degree for option;

DMX mode: DMX mode :6/8/11/108/110CH;

DMX Function: Single pixel control, strobe, dimmer, static color, color macro, color temperature correction, auto program, sound programs; Control mode: DMX512, auto program, sound program, master/slave mode;

Indicators: LCD display;

Cooling: Aluminum housing for heat dissipation;

DMX In/out: PG 3pin power in/out: PG 3pin connector

IP rate: IP 65

Housing material: Die-cast aluminium

Product size: L100x W12.5 x H15cm (include holder height)

Packing size:101*15*18cm, N.W: 9.5kg G.W: 10.5kg,

42kg for 4pcs/master carton

Flight case size:106*34*40cm G.W: 56kg,

Voltage	AC100V ~ 240V
Led	18X15W 6IN1 LED
Color	RGBWA UV
Power connects	110V, MAX 10PCS
	220V, MAX 20PCS
DMX connect	Max 50pcs