



SOLAR PRO 200 TW/CW

USER MANUAL

200W LED COB PROFILE SPOT LIGHT



➤ INSTRUCTION

Thank you for having chosen a led profile spot. You will see you have a powerful and versatile

device.

Unpack your led profile spot

Delivery includes

Gobo frame: 1PC Color frame: 1PC USER MANUAL: 1PC

DESCRIPTION OF THE DEVICE.

1.Profile

With the idea of energy saving and environment protection, the device use low power loss and extremely high efficiency led. The device housing cover is made of used the new high strength heat resistance engineering plastics, with beautiful shape and smooth lines. The designing and manufacturing is in compliance with the IEC standard. The device is suitable in the large-scale theatrical performance, the theater, the performance hall, the bar, nightclub and so on.

The product conforms to the international standard DMX512 agreement completely, the device can be controlled in signal, and also be controlled in many units.

2. Specification

Lamp: 200w warm white/white led.

Power Supply: AC100V-250V, 50HZ/60HZ

Power consumption: 200w

2DMX control channels

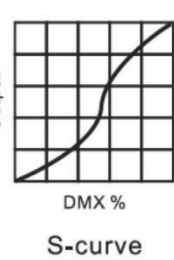
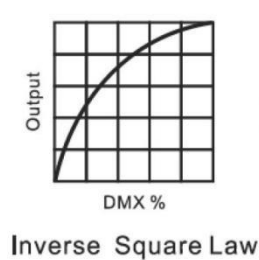
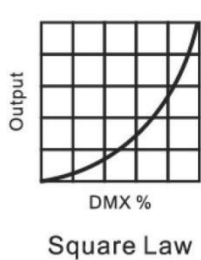
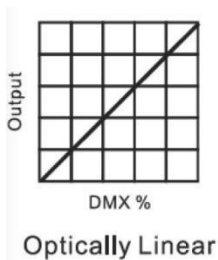
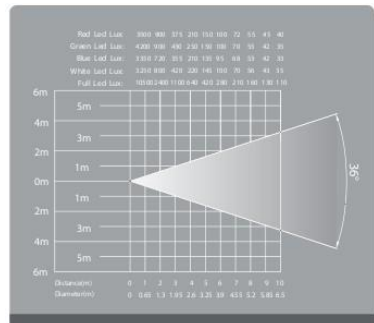
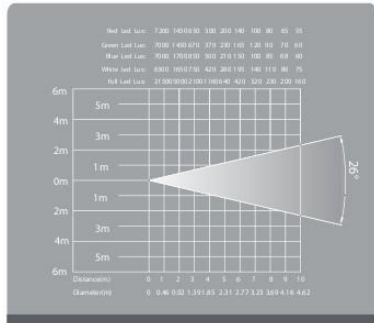
Small volume, light weight

High quality optical system

Different lens available (19°/26°/36°/50°)

N.W.:9.5kgs,

3. Photographic chart



4. Safety warning

① Warning:

- Every person involved with the installation, operation and maintenance of this device has to be qualified.
- User must follow the instructions of this manual.
- Unqualified person cannot open the housing cover and operate the device, or the dealer will not accept liability for any resulting defects or problems.
- The device against rain and moisture.

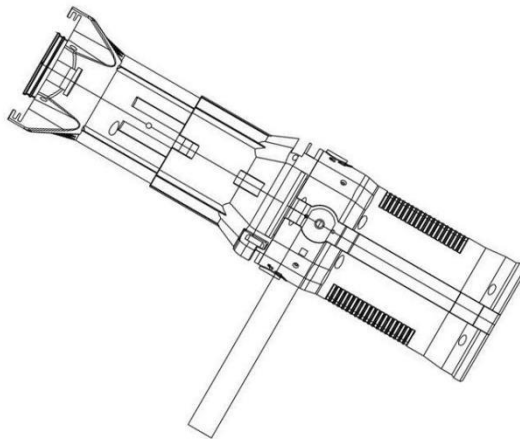
② Warning notes:

- Power Supply: AC100V-250V, 50HZ/60HZ.
- Make sure the power switch is off, the power plug, outlet and the earth
- connection is in well condition before connecting the device with the mains.
 - Please use qualified power plug and outlet. Never connect the power cord of this device with other electrical equipment.
 - During move and installation, make sure the device not crashed with metal parts and other tough materials.
 - Always disconnect from the mains, when the device is on installation and dismantled.
 - The minimum distance between light-output the illuminated surface must be more than 50cm.
 - The device must only be installed on a non-flammable surface. In order to safeguard sufficient ventilation, leave 50cm of free space around the device. Please note that heat-sensitive objects may be deformed and damaged by the emitted heat.
 - During the operation the housing becomes hot! Don't operate the device for 15 minutes after switching off.
 - The maximum ambient temperature $T_a=45^{\circ}\text{C}$ must never be exceeded. The maximum housing temperature $T_b=80^{\circ}\text{C}$ must never be exceeded.
 - For indoors use.
 - Replace any visible cracked protective shield, filters and lens.
 - The protective shield, filters and lens will require weekly cleaning as smoke "fluid tends to building up residues, reducing the light" output very quickly.

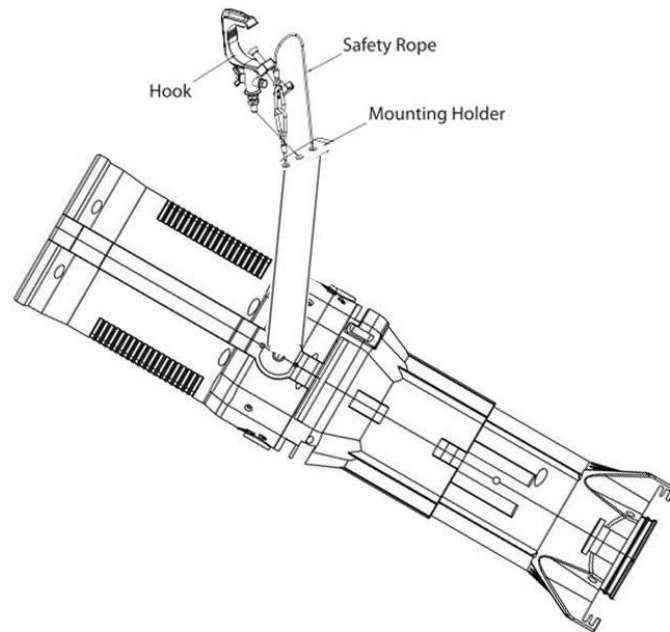
➤ INSTALLATION

1.Installation

- When installation, keep the device far away the heat sensitive objects and explosives sensitive objects, leave at least 50CM of free space around the device.
- When the device put on horizontal place, the device must be placed directly on the place, and device must be secured with a mounting holder.



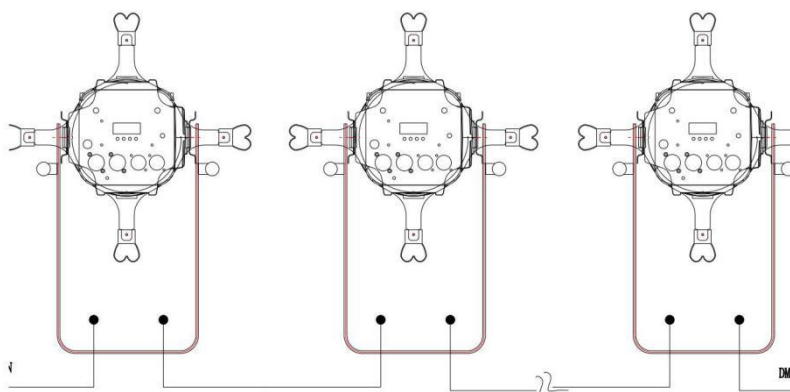
- When rigging the devices on the truss and the head face to the floor. Screw one clamp each via a M12 screw and nut onto the mounting holder. Insert the quick-lock fasteners of the first mounting holder into the respective holes on the bottom of the device. Tighten the quick-lock fasteners fully clockwise. Install the second mounting holder. And the safety rope must be used at same time.



- Please use qualified safety-rope, which can hold at least 10 times the weight of the fixture. You must only use safety-ropes with quick links with screw cap. Pull the safety-rope through the hole on the bottom of the base and over the trussing system etc. Insert the end in the quick link and tighten the fixation screw. A safety rope which already hold the strain of a crash or which is defective must not be used again.

2.Dmx512 connection

- Please use xlr-xlr wires connect the dmx output the controller with the dmx input of the first device, and connect the dmx output of the first device with the dmx input of the second device, always connect one output with the input of the next device until all devices are connected.



3. Connection with mains

The person involved with the power connection must be qualified, and has the electrical engineering certificate.

Connect the device to the mains with the power plug.

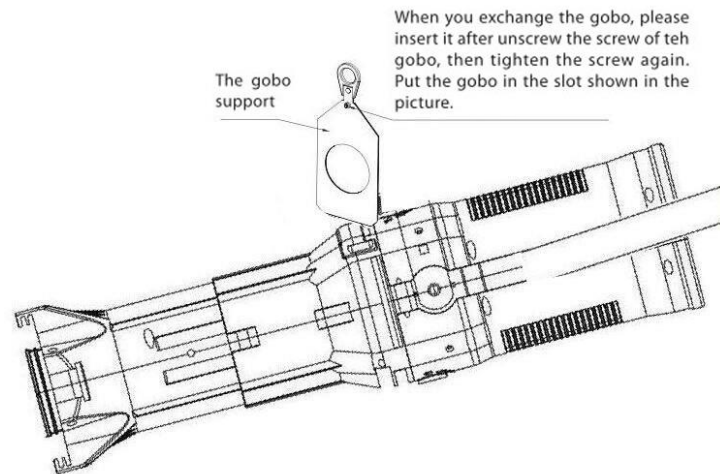
The earth has to be connected.

Power consumption 200w, input power supply AC100V-250V, 50HZ/60HZ.

4. The use of gobo frame

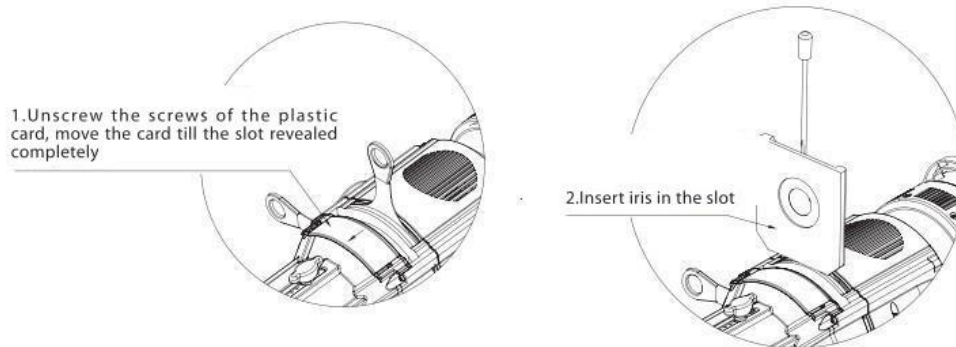
Take out the gobo frame, loose the screws, insert the gobos and lock

- the screws again.
- Insert the gobo in the slot.



5. Use iris

Iris is not included when the projector leave factory, user can purchase the iris if needed. Loose the screws and insert iris.



6. Replace fuse

- Before replacing the fuse, unplug mains lead.
- Procedure:

Step1: Unscrew the fuse holder on the rear panel with a fitting screwdriver from the housing (anti-clockwise).

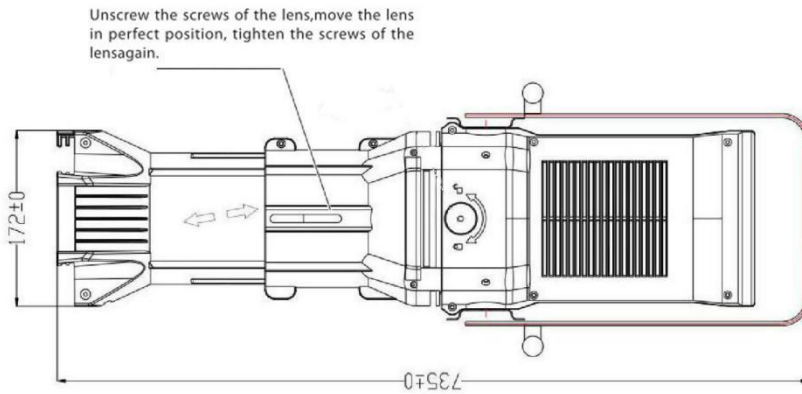
Step2: Remove the old fuse from the fuse holder.

Step3: Install the new fuse in the fuse holder.

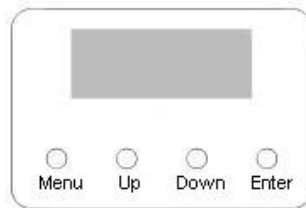
Step4: Replacing the fuse holder in the housing and fix it.

7. Focus

- The objective lens cylinder is usually shrunk before leave factory, after connect the projector to the mains, user may lose the screws and pull out the lens cylinder, till the white light output circular is clearly presented, locking tightly the two screws again.
- When the projection distance is changed, user can follow previous operation steps, and focus the projector.



➤ OPERATION

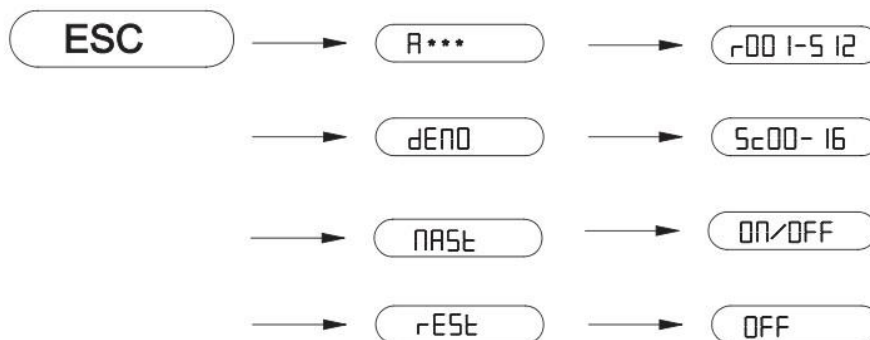


1. Description of the keys

- MENU;
- UP;
- DOWN;
- ENTER

2. Menu

single color or 2in1 ww+cw



4IN1 Display Function:



DMX512 Address



Slave mode (1 2 3 4) four mode.

Pr.01

Manual mode (inside have 65 type.)

AU.

Built-in auto mode.

dP. 1

inverted of the display number (1 right, 2 reverse)

bP. 1

display switch mode (1 open, 2 close.)

3. Dmx protocol

■ 2 channel type:

Channel	Value	Function
1	000-255	Master dimmer
2	000-255	Master strobe

2IN1 WW+W 4CH:

Channel	Value	Function
1	000-255	Warm white
2	000-255	White
3	000-255	Master dimmer
4	000-255	Master strobe

3IN1 RGB 6CH:

Channel	Value	Function
1	000-255	Red
2	000-255	Green
3	000-255	Blue
4	000-255	Master dimmer
5	000-255	Master strobe
6	000-255	Modulation a built-in programs

4IN1 RGBW 7CH:

Channel	Value	Function
1	000-255	Red
2	000-255	Green
3	000-255	Blue
4	000-255	White
5	000-255	Master dimmer
6	000-255	Master strobe
7	000-255	Modulation a built-in programs

➤ APPENDIX

Problem and solution

Caution:

- Unqualified person involved with installation, operation and maintenance of this device is prohibited.
- If any above mentioned problem happened, or unknown problem happened, please contact the manufactory or distributor for assistance.

Problem	Reason	Resolution
Device not work	No power	AC100V-250V, 50HZ/60HZ Check the power connection, and make sure device connect the mains in well condition. Check if switch is on Check if the fuse is good
Led bub if off	Led bulb damaged Led drive board damaged Temperature	Replacing led bulb Replacing led driver board Replacing temperature switch
Fans not work	Fans damaged	Replacing fans