



350W 17R

Beam Spot Wash 3 in 1



User Manual

PLEASE KEEP THIS MANUAL FOR FUTURE NEEDS

1. Unpacking

Thank you for choosing our products. For your own safety, please read this manual before installing the device. This manual covers the important information on installation and applications. Please install and operate the fixture with following instructions, make sure the power is off before opening the light or repairing. Meanwhile, please keep this manual well for future needs.

It is made of a new type of high temperature strength of engineering plastics and cast aluminum casing with nice outlook. The fixture is designed and manufactured strictly following CE standards, complying with international standard DMX512 protocol. It's available independently controlled and linkable with each other for operation. And it is applicable for large-scale live performances, theater, studio, nightclubs and discos.

350W beam spot wash 3-in-1 fixture which features high brightness and stability. Please carefully unpack it when you receive the fixture and check whether it is damaged during the transportation. And please check whether the following items are included inside the box:

Moving head-----One

DMX signal cable-----One

Power cable-----One

User manual-----One

Omega bracket----Two

Safety cable-----One

2. Safety Instructions



CAUTION!

Be careful with your operations. With a dangerous voltage you can suffer a dangerous electric shock when touching wires!

This device has left the factory in perfect condition. In order to maintain this condition and to ensure a safe operation, it is absolutely necessary for the user to follow the safety instructions and warning notes written in this user manual.



Important:

Damages caused by the disregard of this user manual are not subject to warranty. The dealer will not accept liability for any resulting defects or problems.

If the device has been exposed to temperature changes due to environmental changes, do not switch it on immediately. The arising condensation could damage the device. Leave the device switched off until it has reached room temperature.

This device falls under protection-class I. Therefore, it is essential that the device be earthed.

The electric connection must carry out by qualified person.

The device shall only be used with rate voltage and frequency.

Make sure that the available voltage is not higher than stated at the end of this manual.

Make sure the power cord is never crimped or damaged by sharp edges. If this would be the case, replacement of the cable must be done by an authorized dealer.

Always disconnect from the mains, when the device is not in use or before cleaning it. Only handle the power cord by the plug. Never pull out the plug by tugging the power cord.

During initial start-up some smoke or smell may arise. This is a normal process and does not necessarily mean that the device is defective, it should decrease gradually.

Please don't project the beam onto combustible substances.

Fixtures cannot be installed on combustible substances, keep more than 50cm distance with wall for smooth air flow, so there should be no shelter for fans and ventilation for heat radiation.

If the external flexible cable or cord of this luminaire is damaged, it shall be exclusively replaced by the manufacturer or his service agent or a similar qualified person in order to avoid a hazard.

3. Key Features

- Voltage: AC90-AC260V 50-60Hz
- Power consumption: 600W
- Light source: Yodn 350W 17R lamp
- Color temperature: 8000K
- Lamp usage life: 1000 to 2000 hours
- Pan:540degree Tilt:270degree
- Color wheel: 13 colours+open
- Fixed Gobo wheel: 14 fixed gobos+open
- Rotation Gobo: 9 rotation gobos+open
- Prism: 2 rotation prisms, 1 round 8 facet prism + 16facet prism and 1 linear 6 facet prism, with rotation in both direction and can combine to make better effect
- Beam angle: 2°-38° via ZOOM function
- Strobe: 0.5-9 times/second
- Touch display screen and button control
- Control mode: DMX512, auto, sound active
- DMX Channels: 20/24 two channel mode
- Packing size: 48*48*60 cm
- Gross weight: 23.5 Kg
- Display can change 180 degrees to fit different installation position
- Pan/Tilt with 3 phase motor
- With electronic zoom and focus function

4. Operation Instructions

- The moving head is for beam wash spot purpose.
- Don't turn on the fixture if it's been through severe temperature difference like after transportation because it might damage the light due to the environment changes. So, make sure to operate the fixture until it is in normal temperature.
- This light should be kept away from strong shaking during any transportation or movement.
- Don't pull up the light by only the head, or it might cause damages to the mechanical parts.
- Don't expose the fixture in overheat, moisture or environment with too much dust when installing it. And don't lay any power cables on the floor. Or it might cause electronic shock to the people.
- Make sure the installation place is in good safety condition before installing the fixture.
- Make sure to put the safety chain and check whether the screws are screwed properly when installing the fixture.
- Make sure the lens is in good condition. It's recommended to replace the units if there are any damages or severe scratch.
- Make sure the fixture is operated by qualified personnel who knows the fixture before using.
- Keep the original packages if any second shipment is needed.
- Don't try to change the fixtures without any instruction by the manufacturer or the appointed repairing agencies.
- It is not in warranty range if there are any malfunctions from not following the user manual to operate or any illegal operation, like shock short circuit, electronic shock, lamp broke, etc.

5. Mounting and Installation

Cautions: For added protection mount the fixtures in areas outside walking paths, seating areas, or in areas where the fixture might be reached by unauthorized personnel.

Before mounting the fixture to any surface, make sure that the installation area can hold a minimum point load of 10 times the device's weight.

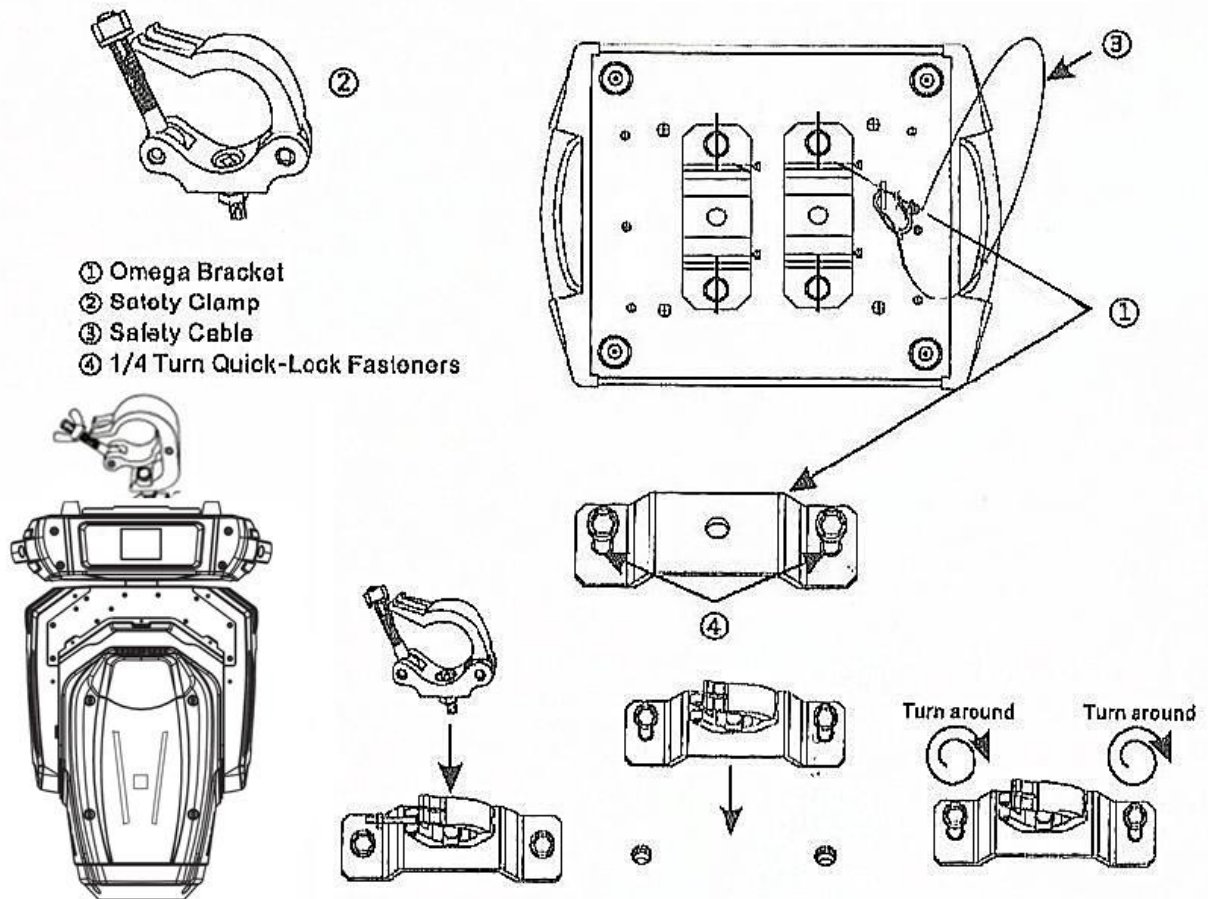
Fixture installation must always be secured with a secondary safety attachment, such as an appropriate safety cable.

Never stand directly below the device when mounting, removing, or servicing the fixture from a

periodic safety inspection of all installation material and the fixture. If you lack these qualifications, do not attempt the installation yourself. Improper installation can result in bodily injury.

Be sure to complete all rigging and installation procedures before connecting the main power cord to the appropriate wall outlet.

Clamp Mounting: The beam spot wash 3-in-1 provides a unique mounting bracket assembly that integrates the bottom of the base, the included “Omega Bracket,” and the safety cable rigging point in one unit (see the illustration below). When mounting this fixture to truss be sure to secure an appropriately rated clamp to the included omega bracket using a M10 screw fitted through the center hole of the “omega bracket”. As an added safety measure, be sure to attached at least one properly rated safety cable to the fixture using one of the safety cable rigging points integrated in the base assembly

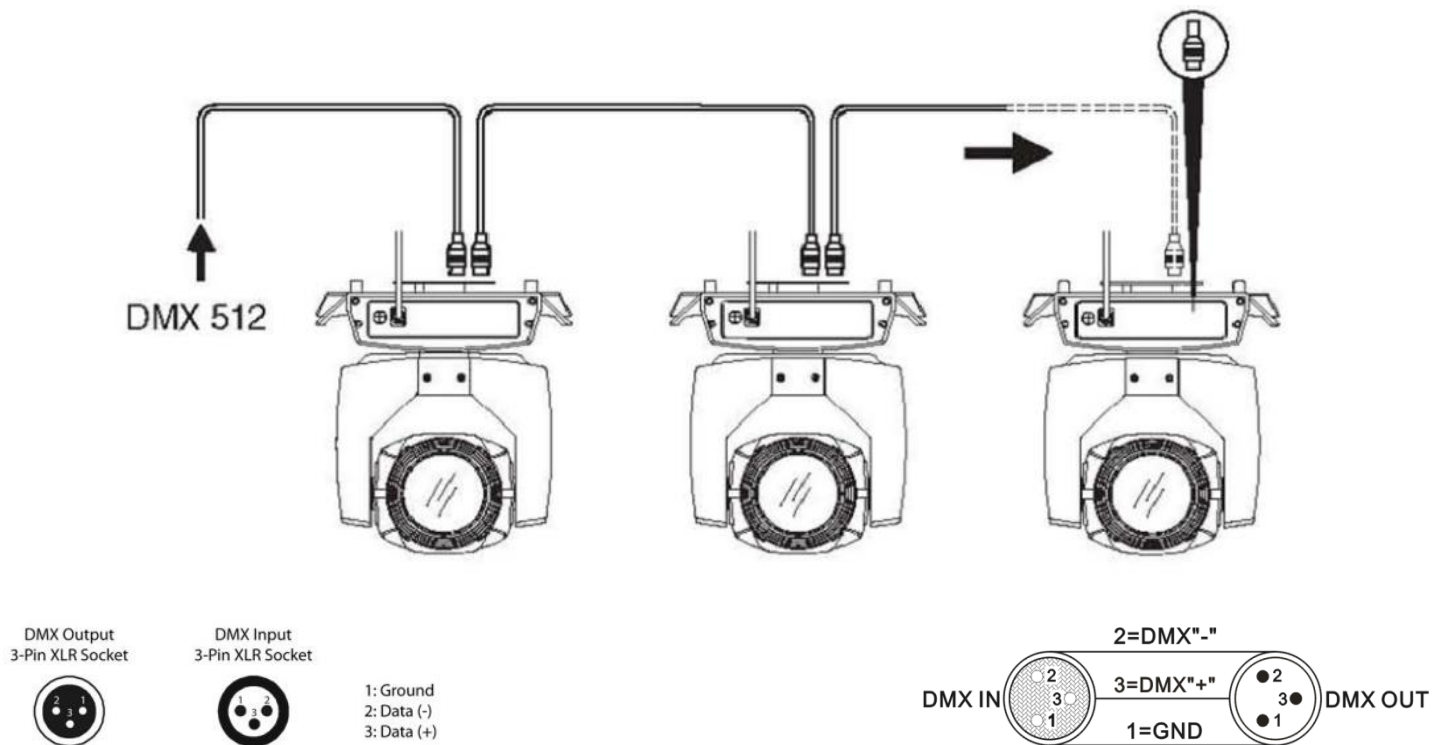


Regardless of the rigging option you choose for your 10R, always be sure to secure your fixture with a safety cable. The fixture provides a built-in rigging point for a safety cable on the hanging bracket as illustrated above. Be sure to only use the designated rigging point for the safety cable and never secure a safety cable to a carrying handle.

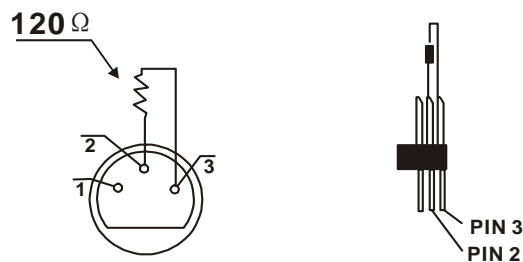
6. DMX-512 control connections

Connect the provided XLR cable to the female 3-pin XLR output of your controller and the other side to the male 3-pin XLR input of the moving head. You can chain multiple Moving heads be connected together through serial linking. The cable needed should be two core, screened cable with XLR input and output connectors. Please refer to the diagram below.

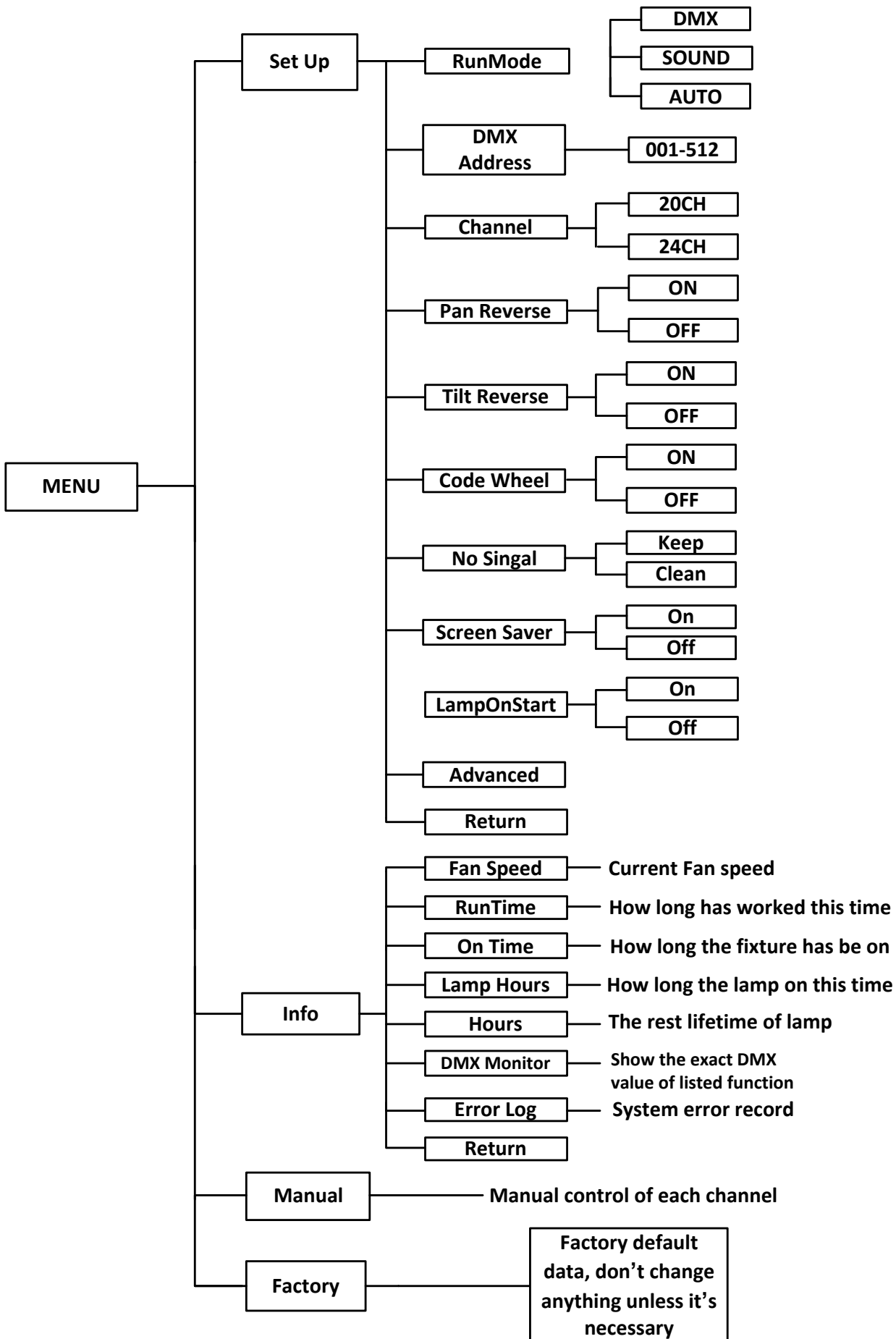
DMX-512 connection with DMX terminator



For installations where the DMX cable has to run a long distance or is in an electrically noisy environment, such as in a discotheque, it is recommended to use a DMX terminator. This helps in preventing corruption of the digital control signal by electrical noise. The DMX terminator is simply an XLR plug with a 120 Ω resistor connected between pins 2 and 3, which is then plugged into the output XLR socket of the last fixture in the chain. Please see illustrations below.



7. Display menu control



8. DMX Channels

20 Channel Mode

CH	Function	DMX Value	Details
1	Pan	0-255	Pan movement
2	Pan fine	0-255	Pan fine
3	Tilt	0-255	Tilt movement
4	Tilt fine	0-255	Tilt fine
5	Pan/Tilt Speed	0-255	Pan/Tilt speed control from fast to slow
6	Strobe	0-3	No function
		4-103	Pulse strobe from slow to fast
		104-107	Open
		108-207	Thunder strobe from slow to fast
		208-212	Open
		213-251	Random strobe from slow to fast
		252-255	Open
7	Dimmer	0-255	Dimmer from dark to bright
8	Color wheel	0-9	Open
		10-14	Open mixed with color 1
		15-19	Color 1
		20-24	Color 1 mixed with color 2
		135-139	Color 14
		140-149	Color 14 mixed with open
		150-203	Color wheel clockwise rotation
		204-255	Color wheel anti-clockwise rotation
9	Static gobo wheel	0-5	Open
		6-89	Static gobo(Each 6 DMX value is a gobo)
		90-134	Gobo wheel clockwise rotation from slow to fast
		135-139	Open
		140-185	Gobo wheel anti-clockwise rotation from slow to fast
		186-255	Gobo shock(Each 5 DMX value is a gobo) slow to fast
10	Rotation gobo wheel	0-8	Open
		9-89	Rotation gobo(Each 10 DMX value is a gobo)
		90-145	Gobo wheel clockwise rotation from slow to fast
		146-155	Open
		156-210	Gobo wheel anti-clockwise rotation from slow to fast
		211-255	Gobo shock(Each 5 DMX value is a gobo) slow to fast
11	Rotation gobo	0-64	Rotation
		65-127	Anti-clockwise continuous rotation from slow to fast
		128-191	Clockwise continuous rotation from slow to fast
		192-255	Rotation like a X
12	Zoom	0-255	Zoom
13	Focus	0-255	Focus
14	6 facet linear prism	0-255	0-127 no function, 128-255 6 facet prism effect
15	6 facet prism rotation	0-64	Rotation
		65-127	Anti-clockwise continuous rotation
		128-191	Clockwise continuous rotation
		192-255	Rotation like a X
16	8+16 Prism	0-255	0-127 no function, 128-255 is 8+16 facet prism effect
17	8+16 facet prism rotation	0-64	Rotation
		65-127	Clockwise continuous rotation
		128-191	Anti-clockwise continuous rotation
		192-255	Rotation like a X
18	Frost	0-255	0-128 no function, 129-255 is frost effect
19	Uniform spot	0-255	0-127 no function, 128-255 is uniform spot effect
20	Lamp & reset	0-255	0-99 No function, 100-105 Lamp off, 106-199 No function, 200-205 Lamp on, 206-249 No function, 250-255 Reset

24 Channel Mode

CH	Function	DMX Value	Details
1	Pan	0-255	Pan movement
2	Pan fine	0-255	Pan fine
3	Tilt	0-255	Tilt movement
4	Tilt fine	0-255	Tilt fine
5	Pan/Tilt Speed	0-255	Pan/Tilt speed control from fast to slow
6	Strobe	0-3	No function
		4-103	Pulse strobe from slow to fast
		104-107	Open
		108-207	Thunder strobe from slow to fast
		208-212	Open
		213-251	Random strobe from slow to fast
		252-255	Open
7	Dimmer	0-255	Dimmer from dark to bright
8	Color wheel	0-9	Open
		10-14	Open mixed with color 1
	
		135-139	Color 14
		140-149	Color 14 mixed with open
		150-203	Color wheel clockwise rotation
		204-255	Color wheel anti-clockwise rotation
9	Static gobo wheel	0-5	Open
		6-89	Static gobo(Each 6 DMX value is a gobo)
		90-134	Gobo wheel clockwise rotation from slow to fast
		135-139	Open
		140-185	Gobo wheel anti-clockwise rotation from slow to fast
		186-255	Gobo shock(Each 5 DMX value is a gobo) slow to fast
10	Rotation gobo wheel	0-8	Open
		9-89	Rotation gobo(Each 10 DMX value is a gobo)
		90-145	Gobo wheel clockwise rotation from slow to fast
		146-155	Open
		156-210	Gobo wheel anti-clockwise rotation from slow to fast
		211-255	Gobo shock(Each 5 DMX value is a gobo) slow to fast
11	Rotation gobo	0-64	Rotation
		65-127	Anti-clockwise continuous rotation from slow to fast
		128-191	Clockwise continuous rotation from slow to fast
		192-255	Rotation like a X
12	Zoom	0-255	Zoom
13	Zoom fine	0-255	Zoom fine
14	Focus	0-255	Focus
15	Focus fine	0-255	Focus fine
16	6 facet liner prism	0-255	0-127 no function. 128-255 6 facet prism effect
17	6 facet prism rotation	0-64	Rotation
		65-127	Anti-clockwise continuous rotation
		128-191	Clockwise continuous rotation
		192-255	Rotation like a X
18	8+16 Prism	0-255	0-127 no function. 128-255 is 8+16 facet prism effect
19	8+16 facet prism rotation	0-64	Rotation
		65-127	Clockwise continuous rotation
		128-191	Anti-clockwise continuous rotation
		192-255	Rotation like a X
20	Frost	0-255	0-128 no function, 129-255 is frost effect
21	Uniform spot	0-255	0-127 no function, 128-255 is uniform spot effect
22	No function	0-255	No function
23	Lamp & reset	0-255	0-99 No function, 100-105 Lamp off, 106-199 No function, 200-205 Lamp on, 206-255 No function
24	Reset	0-255	0-249 No function, 250-255 Reset

9. Maintenance and Cleaning

The following points have to be considered during the inspection:

1. All screws for installing the devices or parts of the device have to be tightly connected and must not be corroded.
2. There must not be any deformations on the housing, color lenses, fixations and installation spots (ceiling, suspension, trussing).
3. Mechanically moved parts must not show any traces of wearing and must not rotate with unbalances.
4. The electric power supply cables must not show any damage, material fatigue or sediments.

Further instructions depending on the installation spot and usage have to be adhered by a skilled installer and any safety problems have to be removed.



CAUTION!

Disconnect from mains before starting maintenance operation.

In order to make the lights in good condition and extend the life time, we suggest a regular cleaning to the lights.

- 1) Clean the inside and outside lens each week to avoid the weakens of the lights due to accumulation of dust.
- 2) Clean the fan each week.
- 3) A detailed electric check by approved electrical engineer each three month, make sure that the circuit contacts are in good condition, prevent the poor contact of circuit from overheating.

We recommend a frequent cleaning of the device. Please use a moist, lint- free cloth. Never use alcohol or solvents. There are no serviceable parts inside the device. Please refer to the instructions under "Installation instructions". Should you need any spare parts, please order genuine parts from your local dealer.