



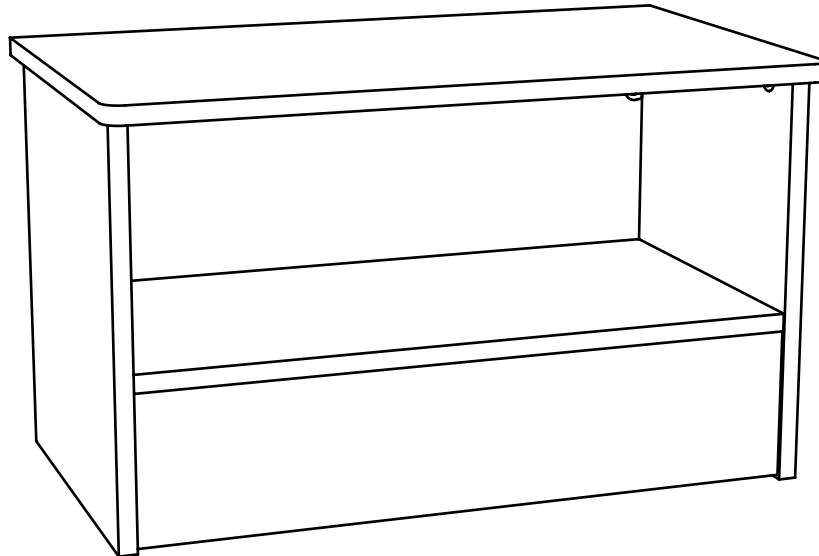
Master Trac

Bench

430867 Slate Rift

430868 Glacier White

432068 Spiced Mahogany



Call us at **1-855-854-7465**

or visit us at

www.sauder-closets.com

NOTE: THIS INSTRUCTION BOOKLET CONTAINS
IMPORTANT SAFETY INFORMATION.

PLEASE READ AND KEEP FOR FUTURE REFERENCE.



Made in USA
with U.S. and imported materials

Lot #: 595150

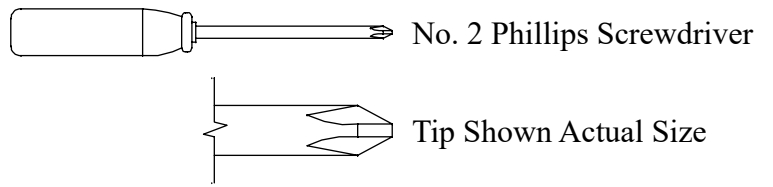
04/21/23

Purchased: _____

TABLE OF CONTENTS

Hardware Usage Guide	2
Part Identification.....	3
Hardware Identification	3
Assembly Steps.....	4-9
Safety	10
Warranty.....	11

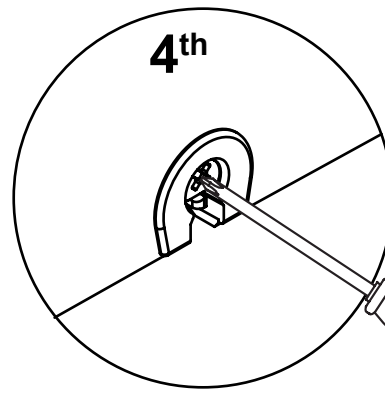
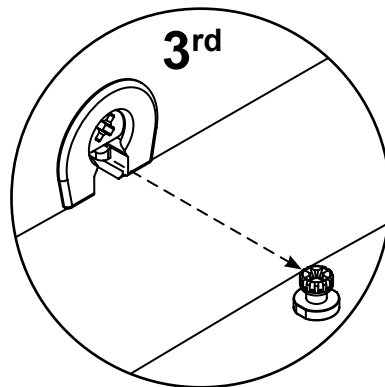
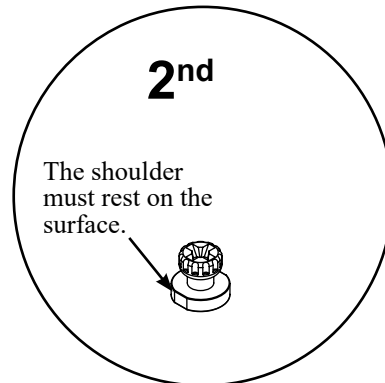
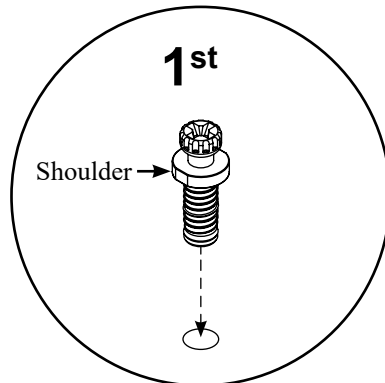
ASSEMBLY TOOLS REQUIRED



HARDWARE USAGE GUIDE

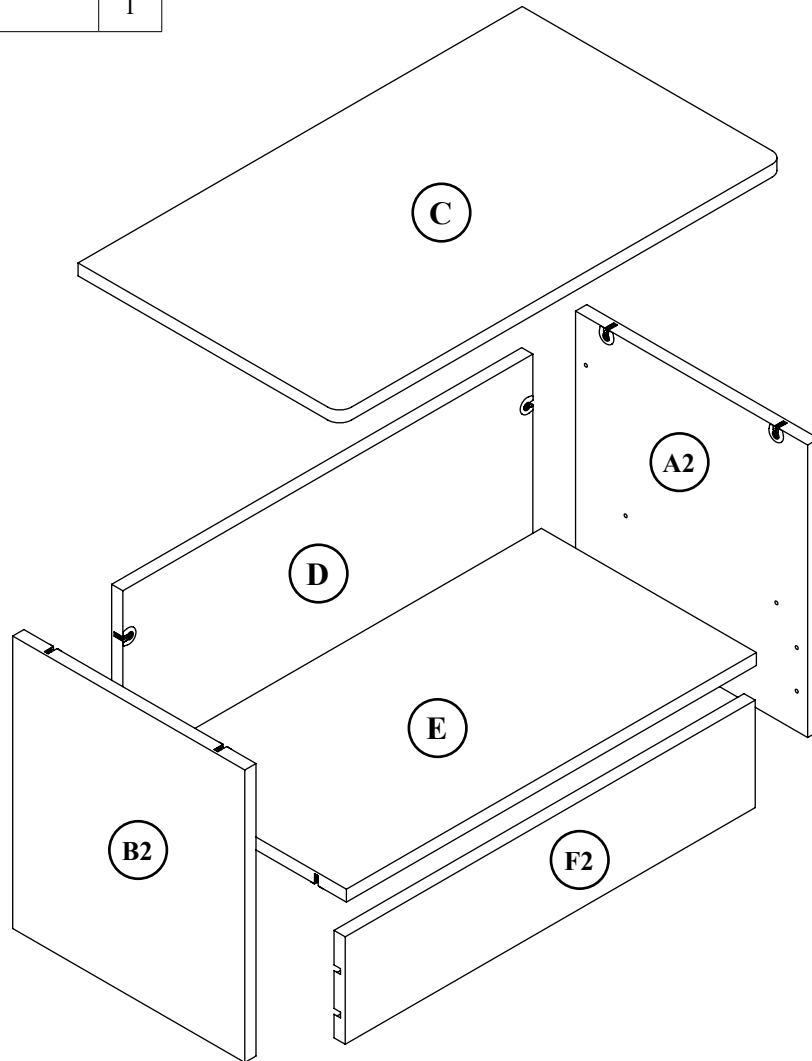
▲ Caution

Risk of damage or injury.
CONNECTORS must be completely tightened.
CONNECTORS that are not completely tightened may loosen, and parts may separate.



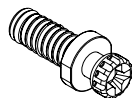
PART IDENTIFICATION: While not all parts are labeled, some of the parts will have a label or an inked letter on the edge to help distinguish similar parts from each other. Use this PART IDENTIFICATION to help identify similar parts.

A2	RIGHT END	1
B2	LEFT END	1
C	TOP	1
D	BACK	1
E	BOTTOM	1
F2	TOE KICK	1

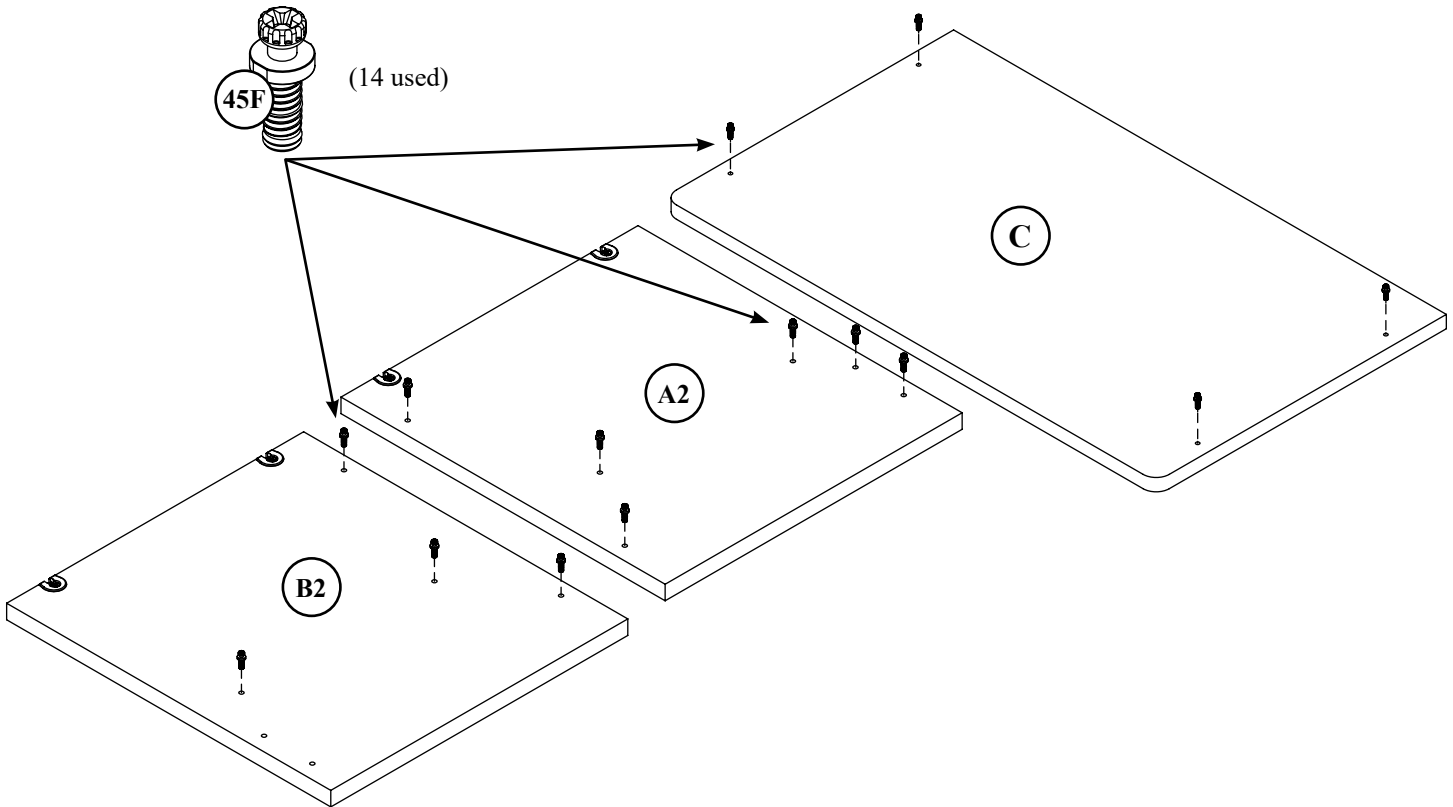


HARDWARE IDENTIFICATION

45F CONNECTOR
DOWEL - 16

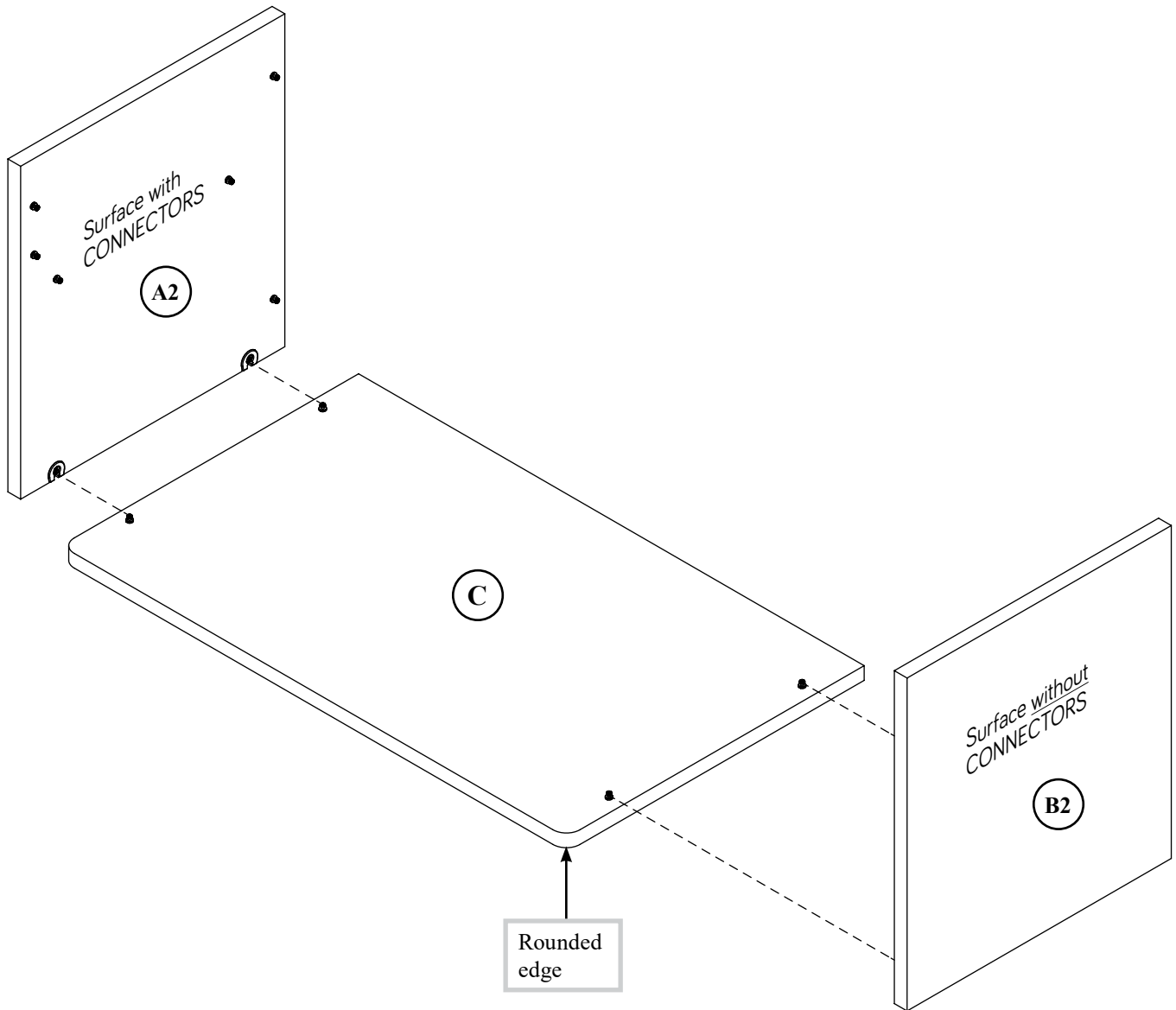


Step
1



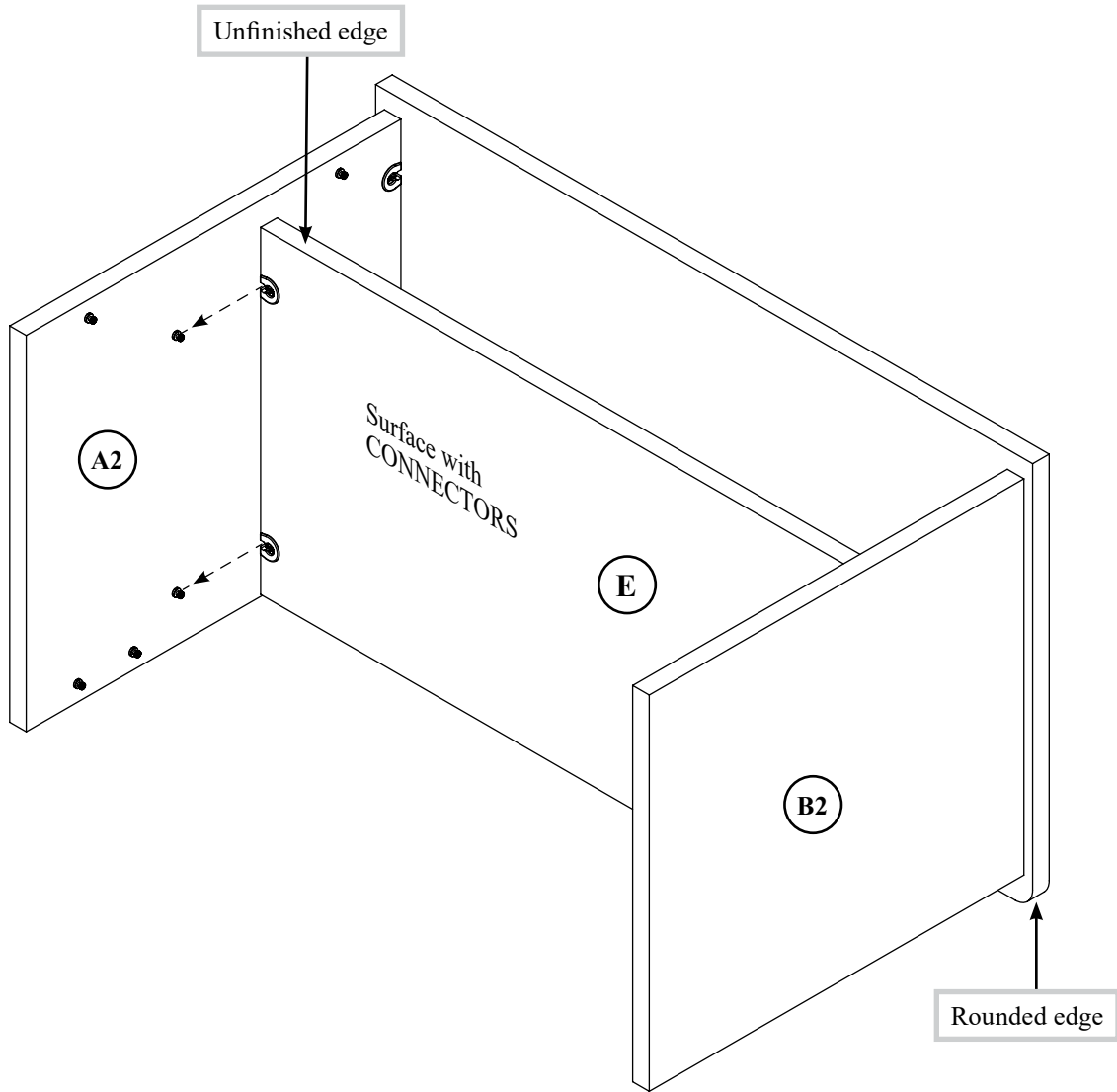
Push fourteen CONNECTOR DOWELS into the exact holes shown in the ENDS (A2 and B2) and TOP (C) until the shoulder of each CONNECTOR DOWEL rests on the surface of the ENDS and TOP.

Step
2



Fasten the ENDS (A2 and B2) to the TOP (C). Tighten four CONNECTORS.

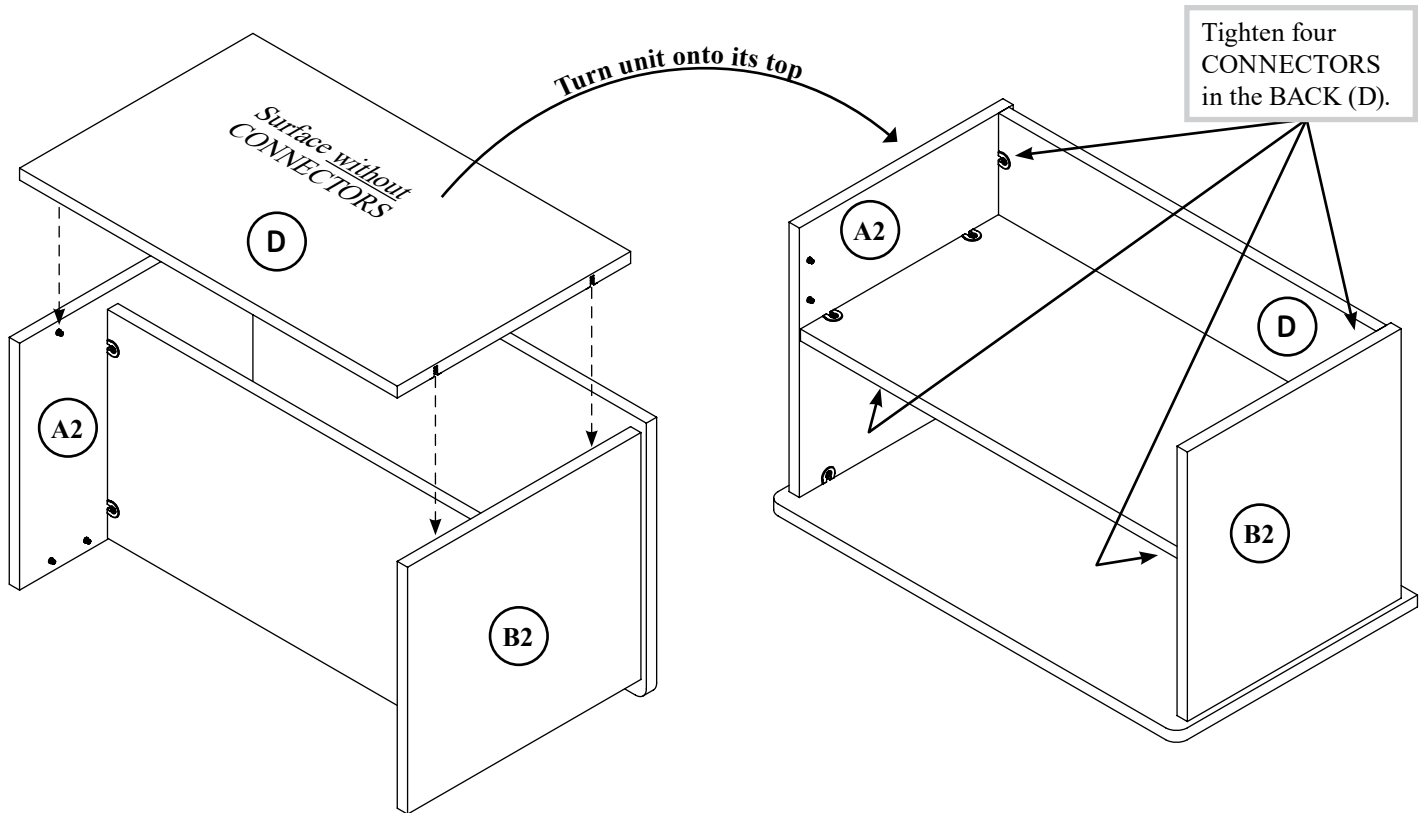
Step
3



Turn your unit onto its front edges.

Fasten the BOTTOM (E) to the ENDS (A2 and B2). Tighten four CONNECTORS in the BOTTOM.

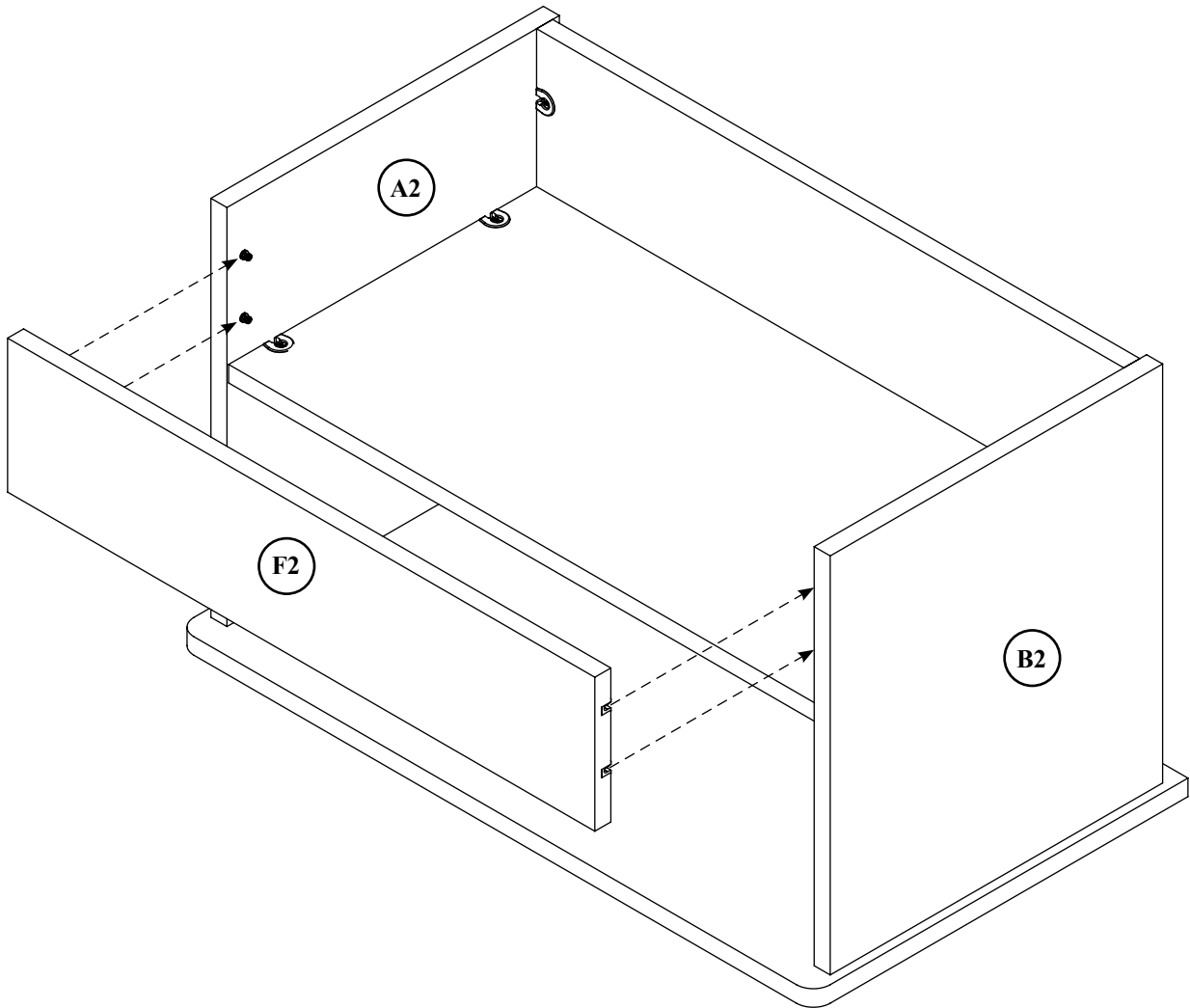
Step
4



Place the CONNECTORS in the BACK (D) onto the CONNECTOR DOWELS in the ENDS (A2 and B2).

Carefully turn your unit onto its TOP. Tighten four CONNECTORS in the BACK (D).

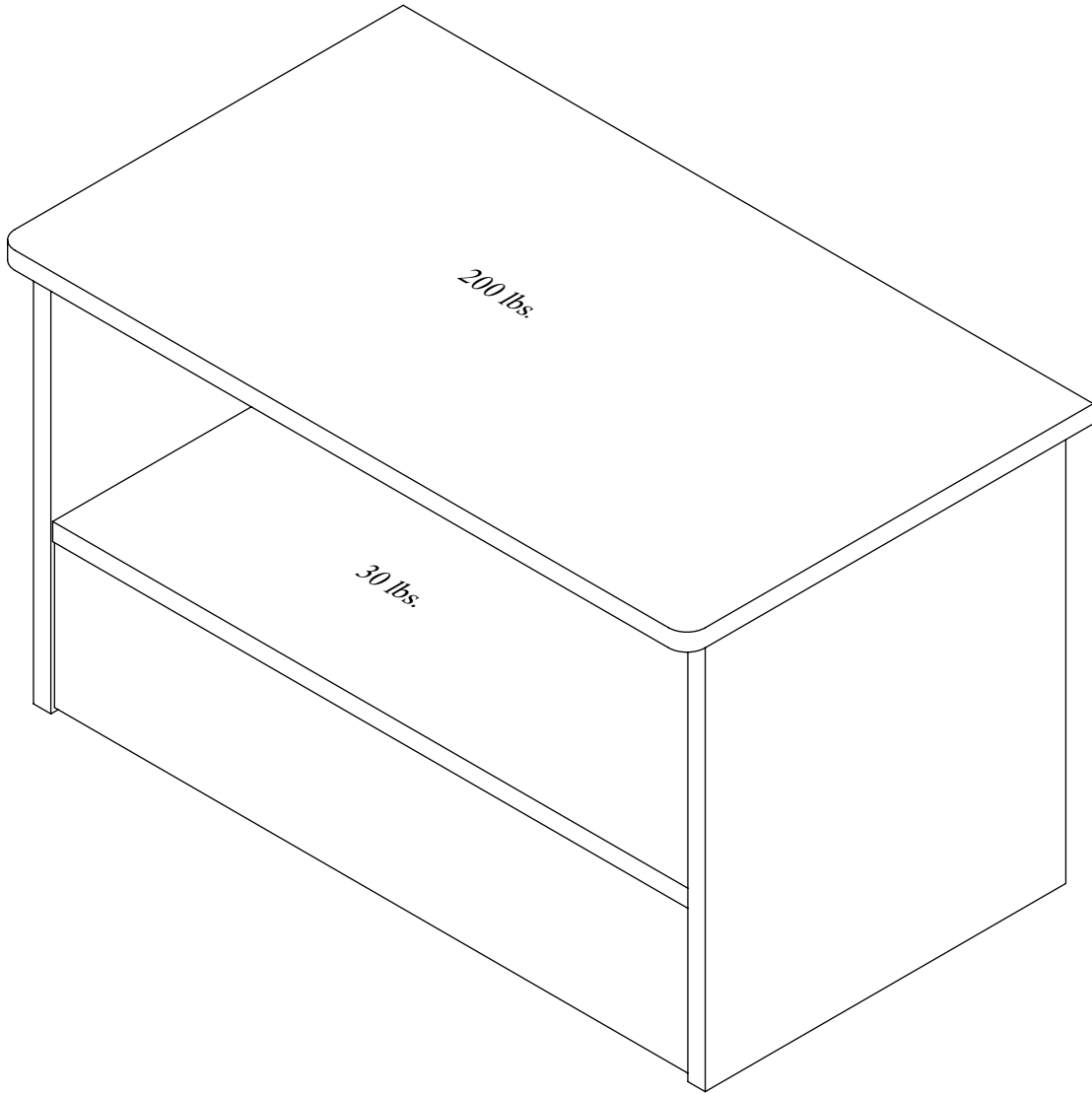
Step
5



Push the TOE KICK (F2) onto the CONNECTORS in the ENDS(A2 and B2).

Tighten four CONNECTORS.

Step
6



Carefully stand your unit upright.

NOTE: Please read the back pages of the instruction booklet for important safety information.

This completes assembly. Clean with a damp cloth. Wipe dry.

⚠ WARNING

Please use your furniture correctly and safely. Improper use can cause safety hazards, or damage to your furniture or household items. *Carefully read the following chart.*

Look out for:	What can happen:	How to avoid the problem:
<ul style="list-style-type: none"> • Loose or unstable closet components. • Tall closet component structures. • Closet component structures that are over five feet tall and placed in an open area or a walk-in closet. 	<ul style="list-style-type: none"> • Risk of injury • Closet components that are not properly connected can easily slide against each other and cause the structure to be unstable and tip over. • A tall closet structure can tip unless it is properly secured. 	<ul style="list-style-type: none"> • Closet components must be securely attached to each other from side to side, and top to bottom. • Secure the closet structure to a wall stud whenever possible. If you cannot use a wall stud, use the supplied wall anchors into your drywall. <p>(If attaching the product to a wall made of concrete, plaster, or other material, purchase and use the appropriate mounting hardware. The attachment hardware must be rated to provide a minimum of 100 pounds of pull strength.)</p>
<ul style="list-style-type: none"> • Overloaded drawers and shelves. 	<ul style="list-style-type: none"> • Risk of injury. • Top-heavy furniture can tip over. • Overloaded drawers or shelves can break. 	<ul style="list-style-type: none"> • Never exceed the weight limits shown in the instructions. • Work from bottom to top when loading shelves and drawers. Place the heavier items on the lower shelves or in lower drawers.
<ul style="list-style-type: none"> • Improper use of furniture to support TVs. • Setting TVs on furniture items not intended to support them is hazardous. 	<ul style="list-style-type: none"> • Risk of injury. • TVs can be very heavy. Plus the weight and location of the picture tube tends to make TVs unbalanced and prone to tipping forward. 	<ul style="list-style-type: none"> • This product is not designed to support a television.
<ul style="list-style-type: none"> • Children climbing or hanging on the shelves or clothing bars. 	<ul style="list-style-type: none"> • Risk of injury or death. 	<ul style="list-style-type: none"> • Do not allow children to climb or hang on the shelves or clothing bars. Avoid placing items like toys or candy on shelves.

SAUDER™ CLOSETS PRODUCTS LIMITED WARRANTY

Sauder™ Closets provides limited lifetime warranty coverage on Sauder™ Closets Products (the "Products") to the original first use retail consumer ("Consumer") as set forth in this limited warranty statement. This limited warranty gives you specific legal rights, and you may also have other rights which vary from state to state.

Limited Lifetime Warranty Coverage: Sauder™ Closets warrants that the Products will be free from defects in material and workmanship under conditions of normal, residential use, for the lifetime of the Products. This limited warranty extends only to the original, first-use retail Consumer, and is not transferable.

Limitations on Warranty Coverage: Sauder™ Closets Limited Lifetime Warranty (described above) is the only warranty coverage provided by Sauder™ Closets for the Products, and is in lieu of all other warranties. Under the laws of certain states, there may be no implied warranties from Sauder™ Closets, and **ALL IMPLIED WARRANTIES, INCLUDING ANY IMPLIED WARRANTY OF MERCHANTABILITY OR FITNESS FOR A PARTICULAR PURPOSE ARE DISCLAIMED AND EXCLUDED TO THE FULLEST EXTENT ALLOWED BY LAW.**

Exclusions from Coverage: This limited warranty does not cover defects arising from (1) the improper installation or use of the Products; (2) abuse or neglect; (3) any commercial, rental or non-residential use of the Products (including the installation and use of the Products in a commercial or rental structure); or (4) normal wear and tear.

Exclusive Remedy: Sauder™ Closets will (at its option) repair or replace any defective Products (or components) at no charge, subject to confirmation of the defect and proof of purchase, as the sole and exclusive remedy under this limited warranty. This limited warranty does not cover costs for installation, returning any defective Products to Sauder™ Closets, for removal or other labor costs in connection with the repair or replacement of the Products, all of which shall be the responsibility of the Consumer. Sauder™ Closets liability under this limited warranty shall not exceed the purchase price of the Products. Sauder™ Closets shall have **NO LIABILITY FOR ANY INCIDENTAL OR CONSEQUENTIAL DAMAGES OF ANY KIND, and all such claims and damages are DISCLAIMED AND EXCLUDED FROM THIS LIMITED WARRANTY.** You must notify Sauder™ Closets, in writing, within 90 days after discovering any defect in order to receive limited warranty coverage.

Some states do not allow limitations on how long an implied warranty lasts, or the exclusion or limitation of incidental or consequential damages, so the above limitations may not apply to you.

To Obtain Warranty Service or Information: For warranty inquiries or claims, contact Sauder™ Closets at 1-855-854-7465, 502 Middle Street, Archbold, OH (USA) 43502, sauderclosets@sauder.com. Return of any defective Product may be required by Sauder™ Closets, or we may elect to examine the product at its location. If we ask you to ship any Products to us, we will issue you a return authorization number and provide return instructions. For returned Products to qualify for limited warranty coverage, they must be returned in the original or equivalent packaging, in accordance with the shipping instructions you receive from us, and must prominently display the return authorization number on the return package.

Stay Connected

with 



Trust Sauder

Sauder has been making wood products since 1934. Today we offer a wide range of products, mostly made right here in Archbold, Ohio, and supported by our award-winning customer service.

Sauder™ Closets are supported by our Limited Lifetime Warranty and offers the same made-in-the-USA advantages as the rest of our product line.

Certificate of Conformity

1. This certificate applies to the Sauder Woodworking Product identified by this Instruction Book.
2. This certificate applies to compliance of this product with the CPSC Ban on Lead-Containing Paint (16 CFR 1303).
3. This product is manufactured by:
Sauder Woodworking Company
502 Middle Street
Archbold, Ohio 43502
(419) 446-2711
4. Date of Manufacture: _____



register your new product online

For immediate service, our website is available 24 hours a day, 7 days a week to order replacement parts, register your product, and view Sauder™ Closets products. www.sauder-closets.com

Consumer Services in United States and Canada
Mon.-Fri. – 9am-5:30pm ET(except holidays)
1-855-854-7465

