



SpaceTrac Parts and Installation



Call us at **1-855-854-7465**

or visit us at

www.sauder-closets.com

NOTE: THIS INSTRUCTION BOOKLET CONTAINS
IMPORTANT SAFETY INFORMATION.

PLEASE READ AND KEEP FOR FUTURE REFERENCE.



Made in USA
with U.S. and imported materials

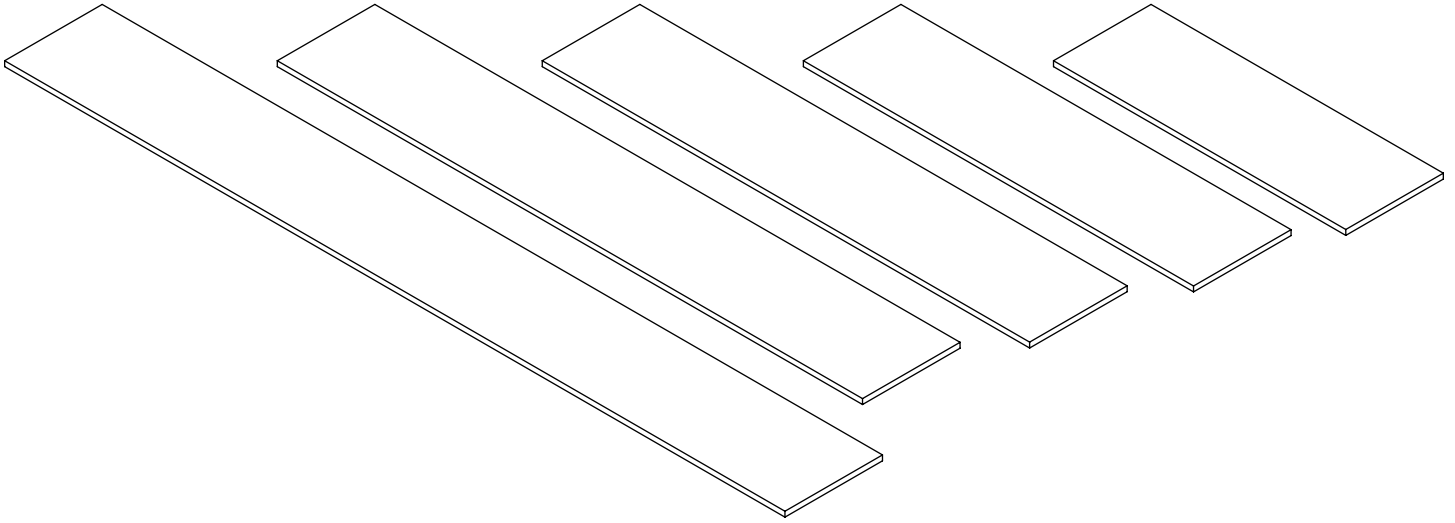
Lot #: 545016

10 / 19 / 20

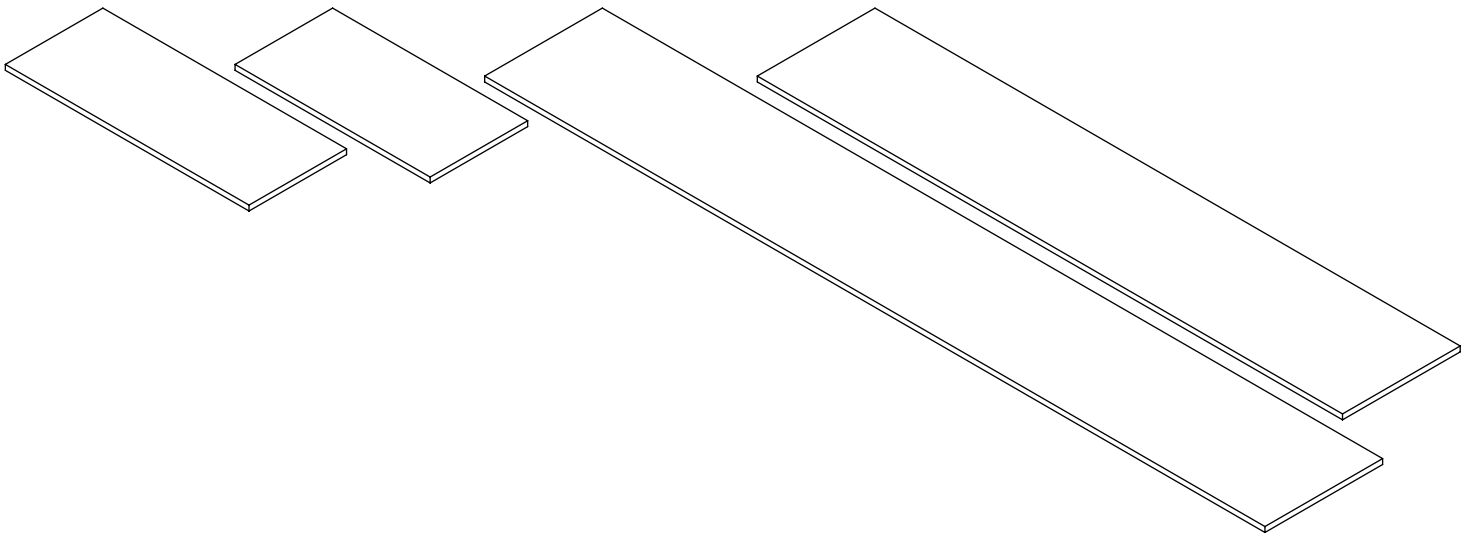
Purchased: _____

Part Identification

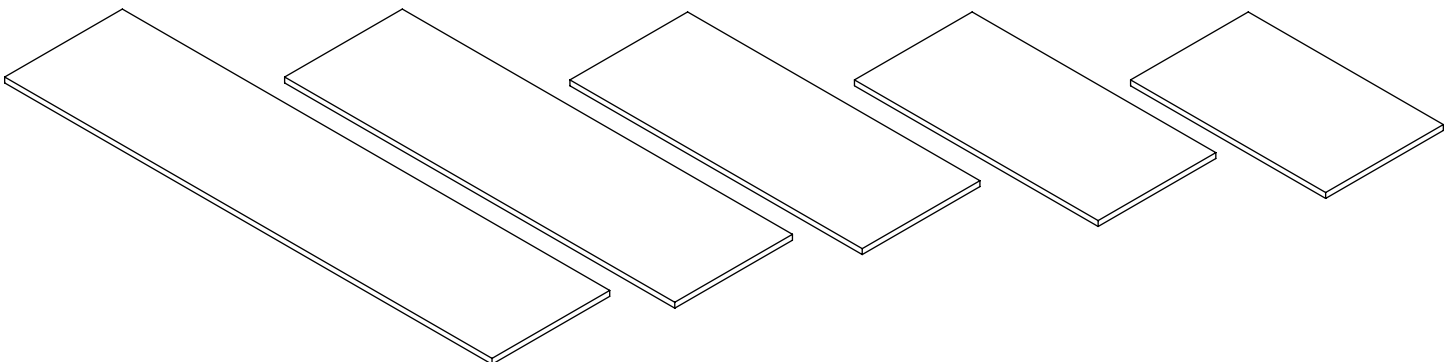
<u>96" x 12" Shelf (2)</u>	<u>72" x 12" Shelf (2)</u>	<u>60" x 12" Shelf (2)</u>	<u>48" x 12" Shelf (4)</u>	<u>36" x 12" Shelf (4)</u>
425924 White	425925 White	425926 White	425927 White	425928 White
425952 Salt Oak	425953 Salt Oak	425954 Salt Oak	425955 Salt Oak	425956 Salt Oak
425980 Espresso	425981 Espresso	425982 Espresso	425983 Espresso	425984 Espresso



<u>30" x 12" Shelf (4)</u>	<u>24" x 12" Shelf (4)</u>	<u>96" x 14-1/2" Shelf (2)</u>	<u>72" x 14-1/2" Shelf (2)</u>
425929 White	425930 White	425931 White	425932 White
425957 Salt Oak	425958 Salt Oak	425959 Salt Oak	425960 Salt Oak
425985 Espresso	425986 Espresso	425987 Espresso	425988 Espresso

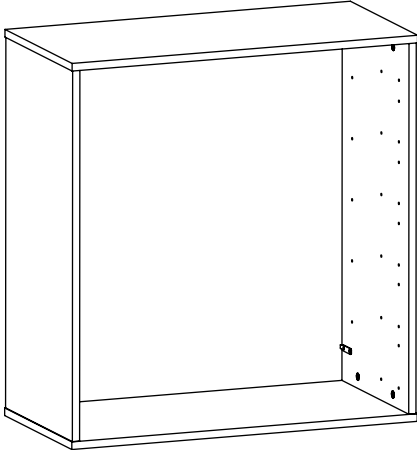


<u>60" x 14-1/2" Shelf (2)</u>	<u>48" x 14-1/2" Shelf (4)</u>	<u>36" x 14-1/2" Shelf (4)</u>	<u>30" x 14-1/2" Shelf (4)</u>	<u>24" x 14-1/2" Shelf (4)</u>
425933 White	425934 White	425935 White	425936 White	425937 White
425961 Salt Oak	425962 Salt Oak	425963 Salt Oak	425964 Salt Oak	425965 Salt Oak
425989 Espresso	425990 Espresso	425991 Espresso	425992 Espresso	425993 Espresso

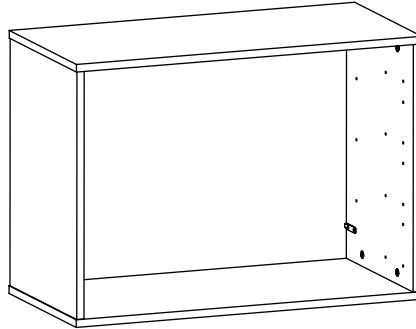


Part Identification

30"W x 14-1/2"D
Large Cabinet (1)
 425943 White
 425971 Salt Oak
 426005 Espresso



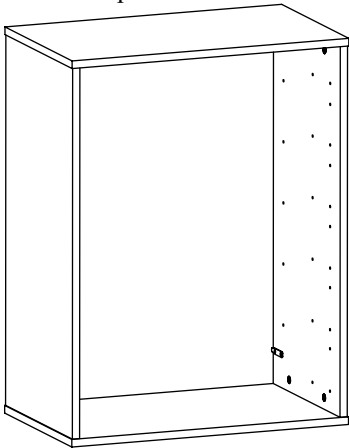
30"W x 14-1/2"D
Medium Cabinet (1)
 425944 White
 425972 Salt Oak
 426006 Espresso



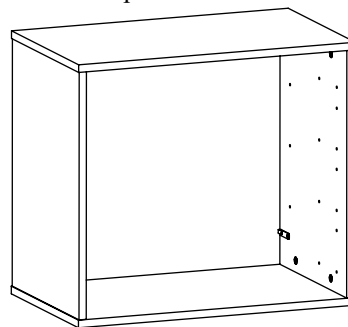
30"W x 14-1/2"D
Small Cabinet (1)
 425945 White
 425973 Salt Oak
 426007 Espresso



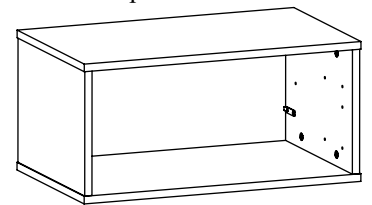
24"W x 14-1/2"D
Large Cabinet (1)
 425938 White
 425966 Salt Oak
 425999 Espresso



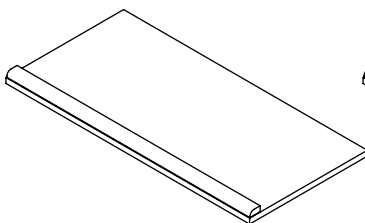
24"W x 14-1/2"D
Medium Cabinet (1)
 425939 White
 425967 Salt Oak
 426000 Espresso



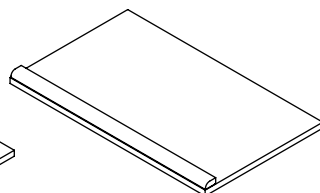
24"W x 14-1/2"D
Small Cabinet (1)
 425940 White
 425968 Salt Oak
 426001 Espresso



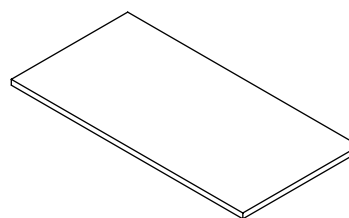
30" Shoe Shelf (4)
 425923 White
 425951 Salt Oak
 425979 Espresso



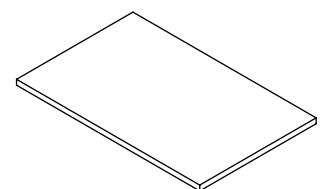
24" Shoe Shelf (4)
 425922 White
 425950 Salt Oak
 425978 Espresso



30" Adjustable Cabinet Shelf (3)
 425949 White
 425977 Salt Oak
 426011 Espresso



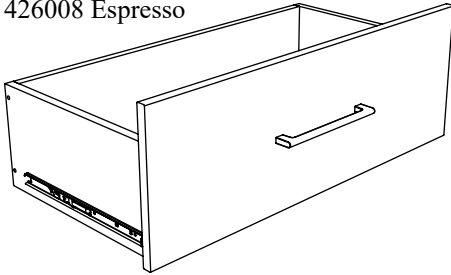
24" Adjustable Cabinet Shelf (3)
 425948 White
 425976 Salt Oak
 426010 Espresso



Parts and Hardware Identification

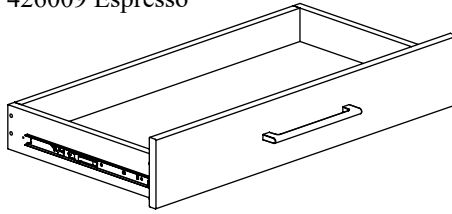
30"W x 10"H Drawer (1)

425946 White
425974 Salt Oak
426008 Espresso



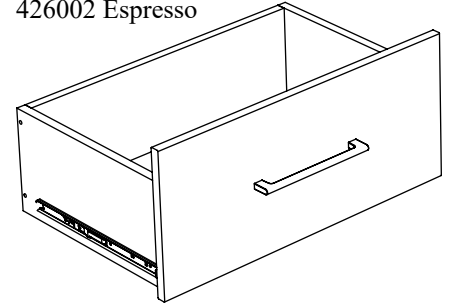
30"W x 5"H Drawer (1)

425947 White
425975 Salt Oak
426009 Espresso



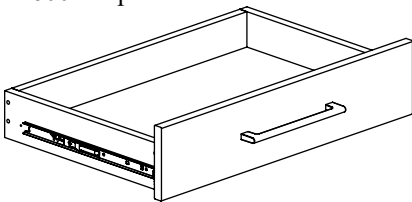
24"W x 10"H Drawer (1)

425941 White
425969 Salt Oak
426002 Espresso



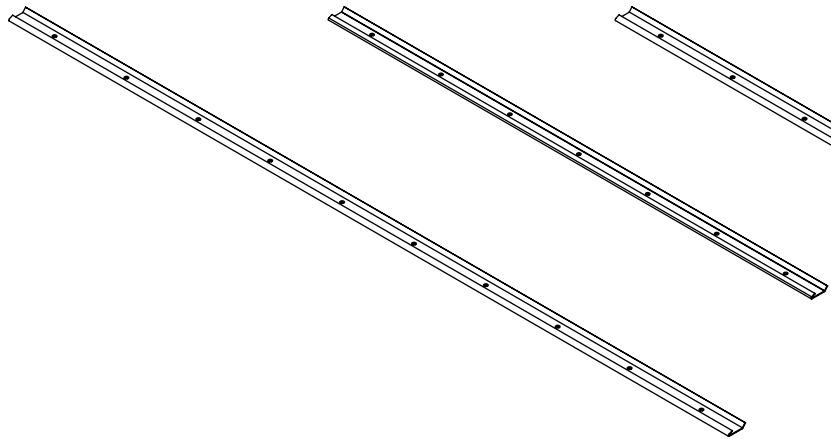
24"W x 5"H Drawer (1)

425942 White
425970 Salt Oak
426004 Espresso



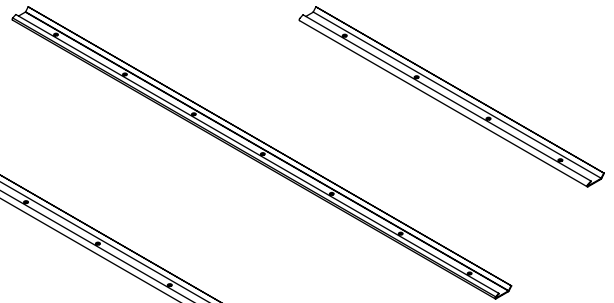
80" Hang Track (10)

427077 White
427080 Nickel



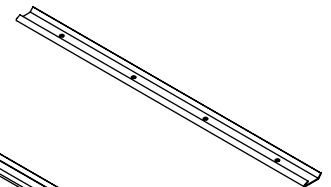
56" Hang Track (10)

427078 White
427081 Nickel



32" Hang Track (10)

427079 White
427082 Nickel



90" Standard (8)

427083 White
427087 Nickel

78" Standard (8)

427084 White
427088 Nickel

48" Standard (8)

427085 White
427089 Nickel

30" Standard (8)

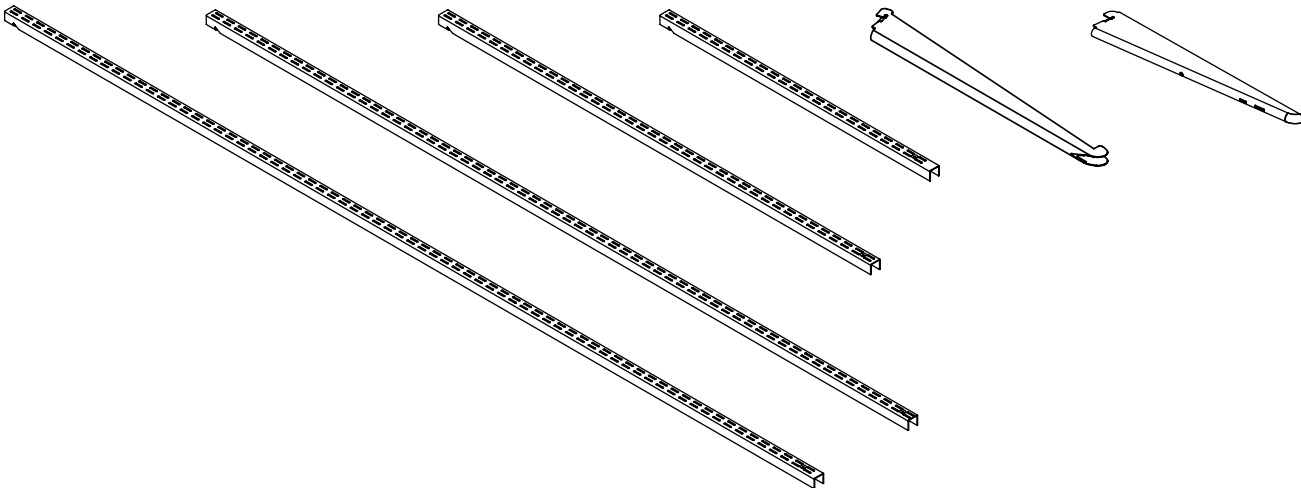
427086 White
427090 Nickel

Shoe Shelf

Bracket (10)
427107 Nickel

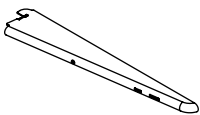
14-1/2" Wood Shelf Bracket (10)

427248 White
427106 Nickel



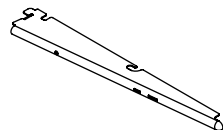
12" Wood Shelf Bracket (10)

427247 White
427105 Nickel



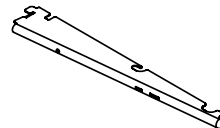
12" Wire Shelf Bracket (10)

427075 White



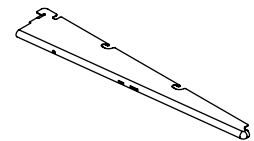
12" Max Glide Wire

Shelf Bracket (10)
427249 White



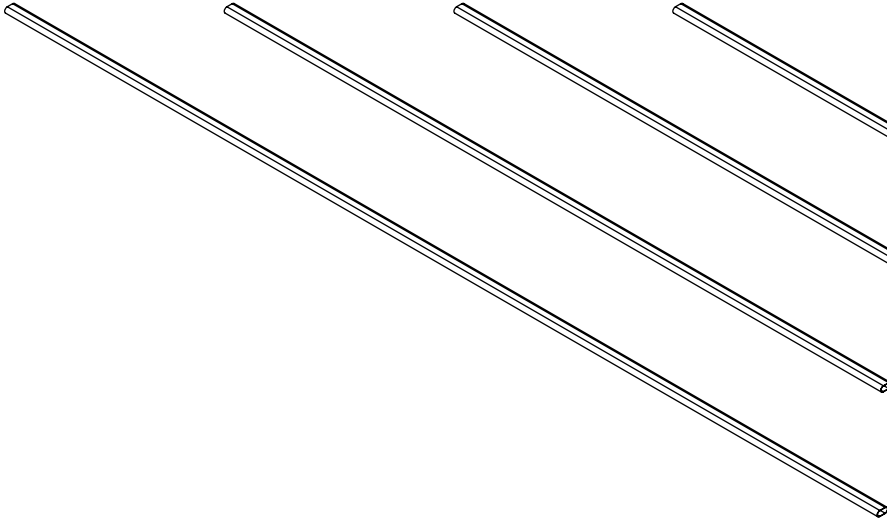
16" Wire Shelf Bracket (10)

427076 White

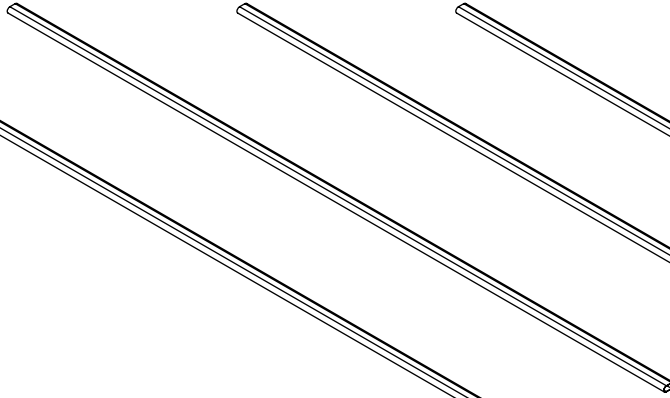


Hardware Identification

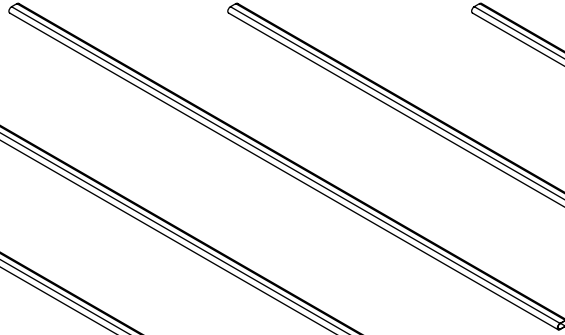
96" Oval Rod (10)
427091 Nickel



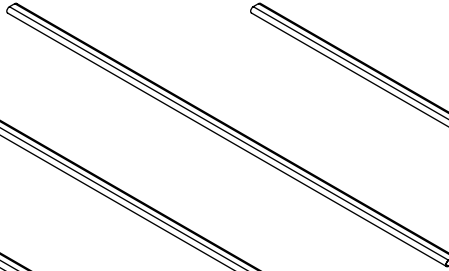
72" Oval Rod (10)
427092 Nickel



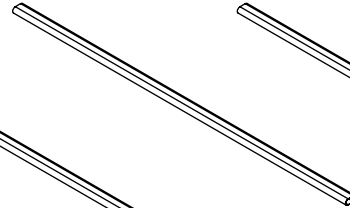
60" Oval Rod (10)
427093 Nickel



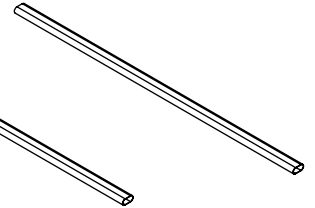
48" Oval Rod (10)
427094 Nickel



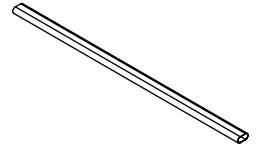
36" Oval Rod (10)
427095 Nickel



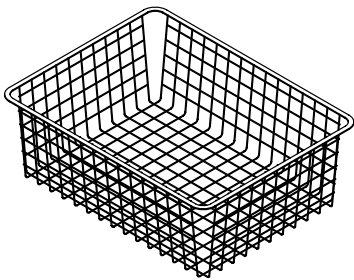
30" Oval Rod (10)
427096 Nickel



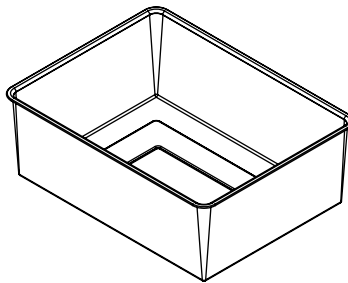
24" Oval Rod (10)
427097 Nickel



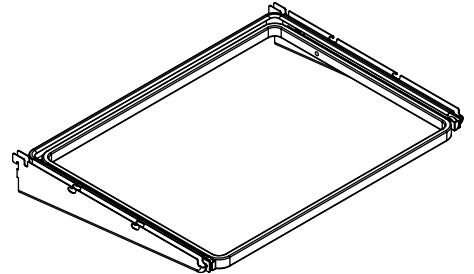
Open Basket (5)
427100 Nickel



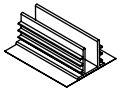
Closed Basket (5)
427101 Nickel



24" Basket Track and Bracket Kit (5)
427099 Nickel



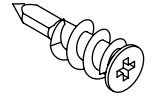
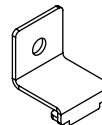
Wood Shelf Attachment Extrusion (50)
427104 Clear



Rod End Cap (10)
427103 Nickel



Standard Support Bracket Kit (1)
427300 White
427299 Nickel

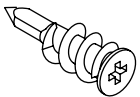


Standard Bracket (20)

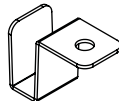
#8 x 2-1/2" Wafer Head Screw (20)

Wall Anchor (20)

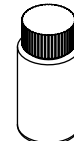
Drywall Anchor (250)
427861



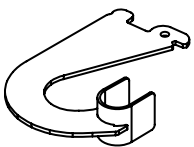
Wood Shelf Clip (50)
427301 White
427098 Nickel



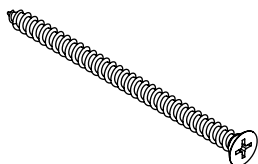
Touch up Paint (1)
427715 White
427716 Nickel



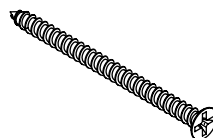
Rod Holder (10)
427102 Nickel



#10 x 3" Flat Head Screw (250)
427883 White
427884 Nickel

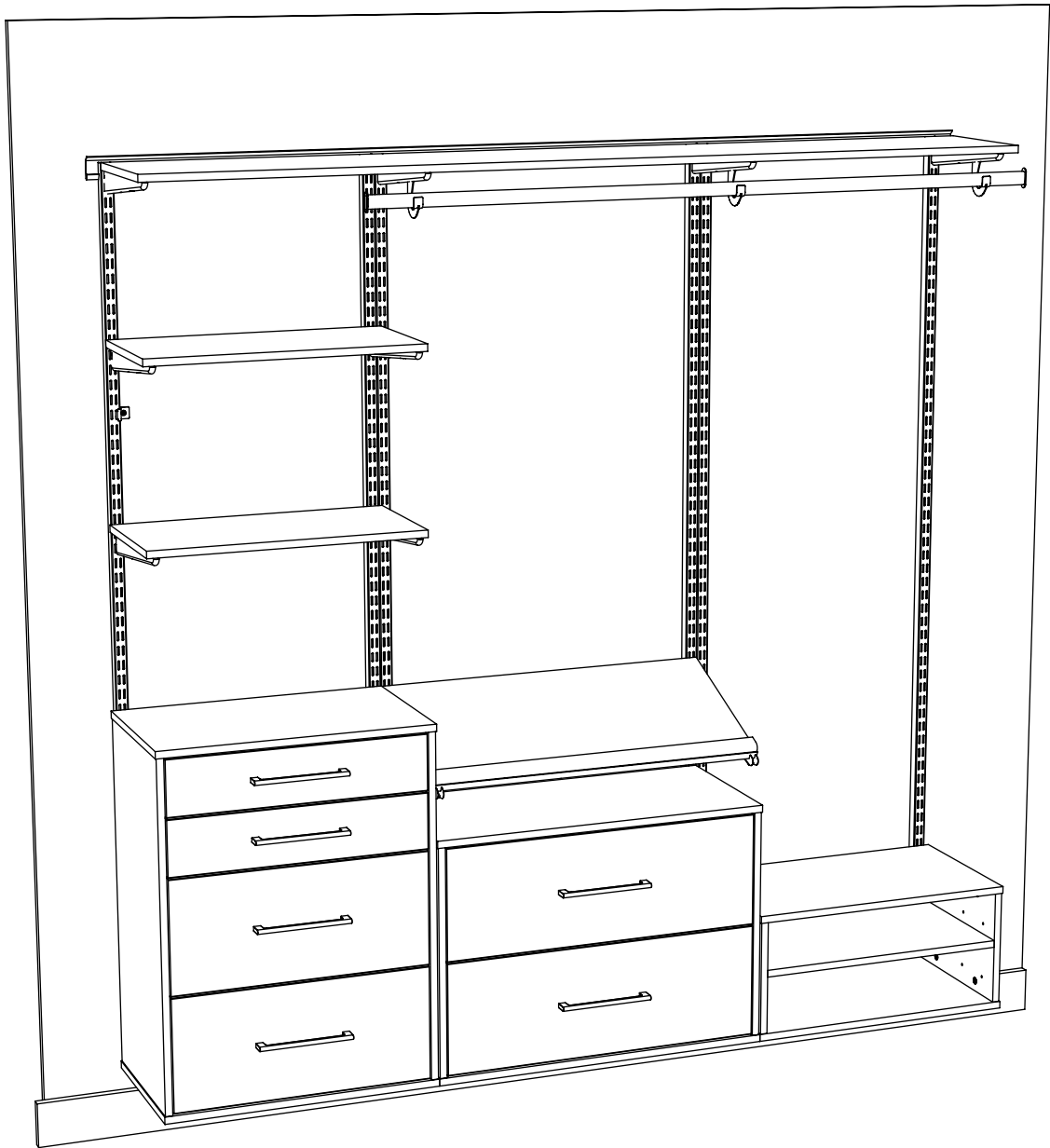


#6 x 2" Flat Head Screw (250)
427839 Nickel

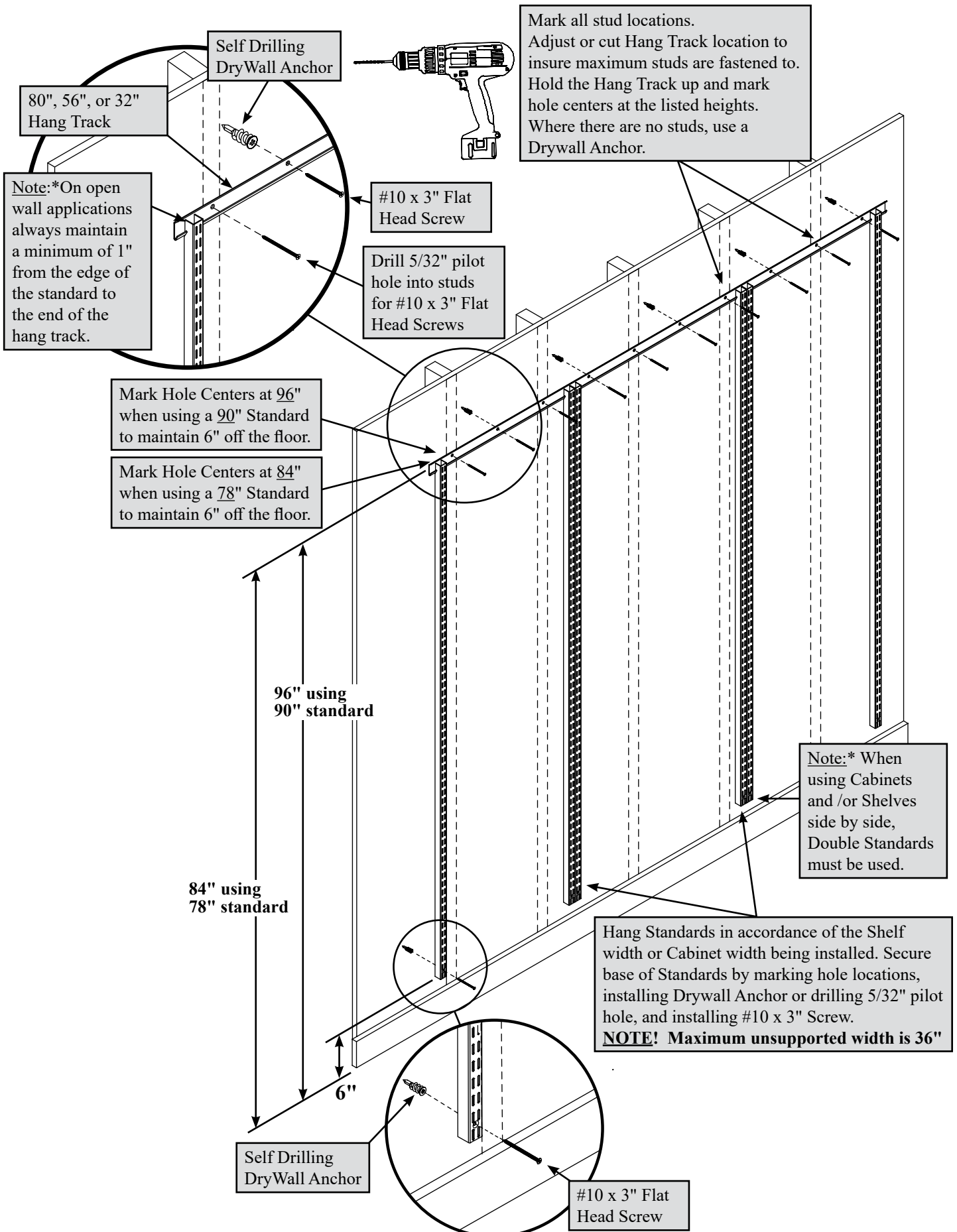


#8 x 9/16" Wafer Head Screw (250)
427841 Nickel
422645 White





Standards and Track Installation



Mark all stud locations. Adjust or cut Hang Track location to insure maximum studs are fastened to. Hold the Hang Track up and mark hole centers at the listed heights. Where there are no studs, use a Drywall Anchor.

80", 56", or 32" Hang Track

Note: * On open wall applications always maintain a minimum of 1" from the edge of the standard to the end of the hang track.

Self Drilling DryWall Anchor

#10 x 3" Flat Head Screw

Drill 5/32" pilot hole into studs for #10 x 3" Flat Head Screws

Mark Hole Centers at 96" when using a 90" Standard to maintain 6" off the floor.

Mark Hole Centers at 84" when using a 78" Standard to maintain 6" off the floor.

84" using 78" standard

96" using 90" standard

6"

Note: * When using Cabinets and /or Shelves side by side, Double Standards must be used.

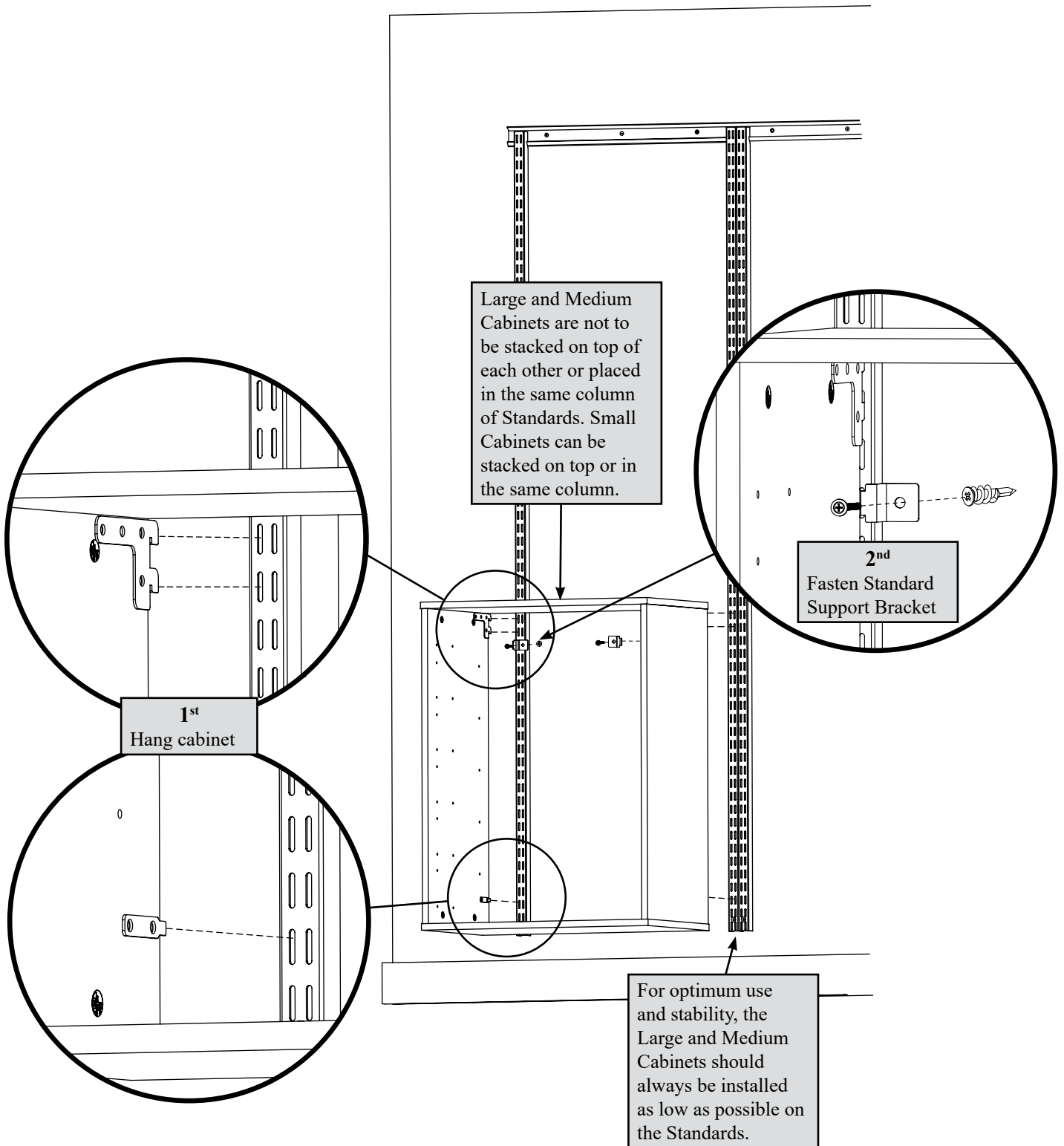
Hang Standards in accordance of the Shelf width or Cabinet width being installed. Secure base of Standards by marking hole locations, installing Drywall Anchor or drilling 5/32" pilot hole, and installing #10 x 3" Screw. **NOTE! Maximum unsupported width is 36"**

Self Drilling DryWall Anchor

#10 x 3" Flat Head Screw

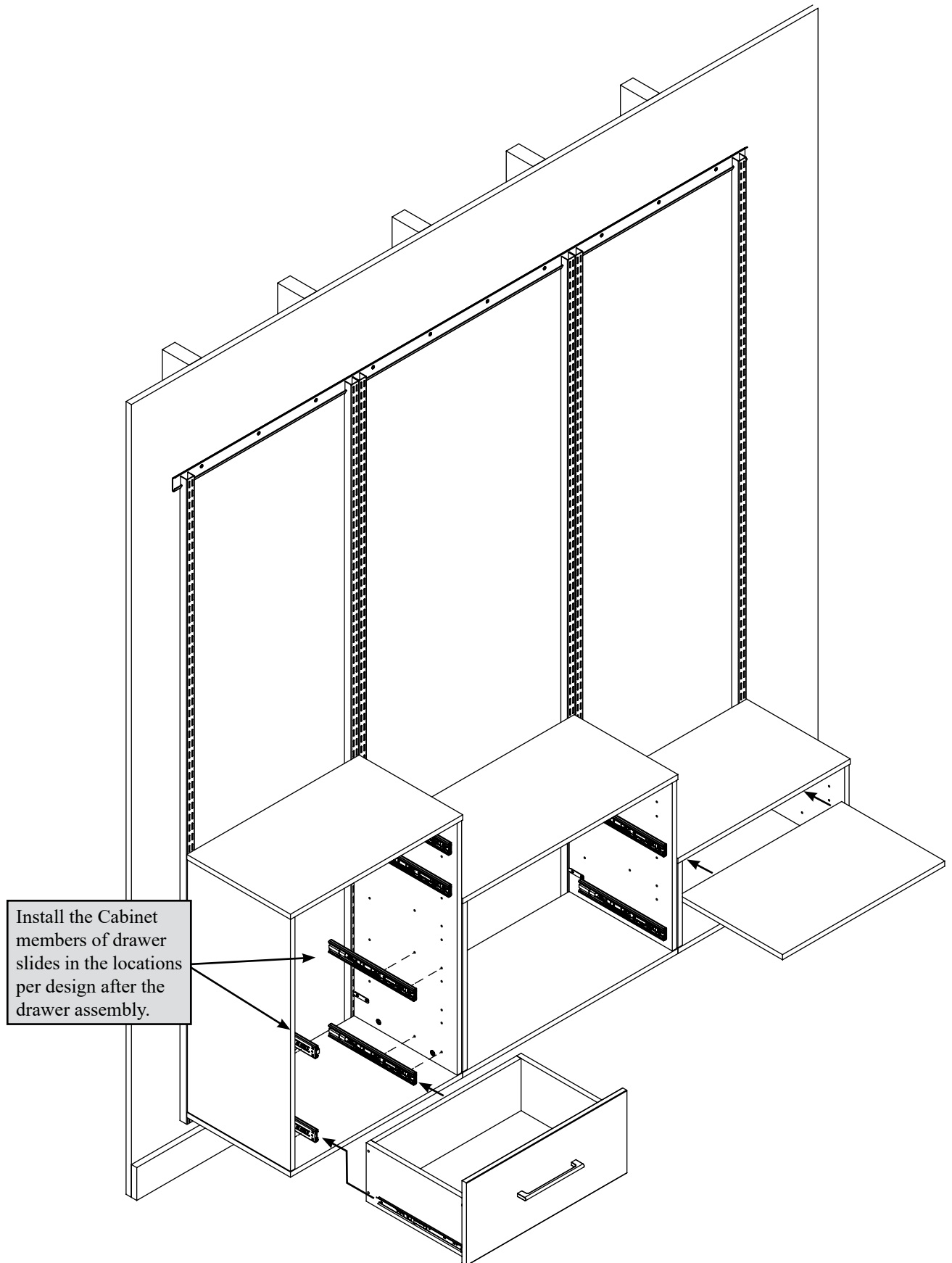
Cabinet Installation

If the design layout incorporates Cabinet(s), assemble the Cabinet(s) now using the instructions that come with the Cabinet.



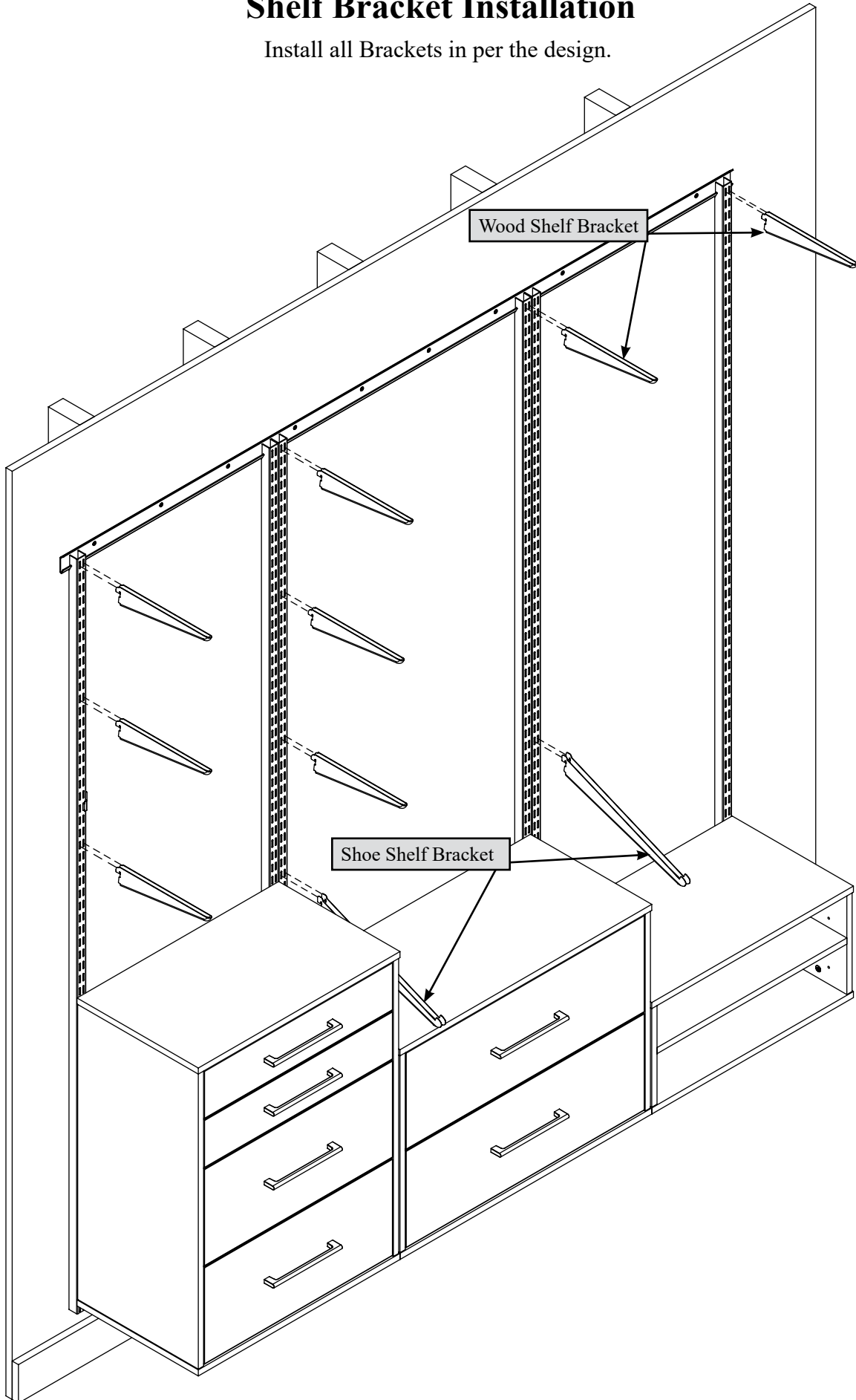
Drawer and/or Adjustable Shelf Installation

If the design layout incorporates Cabinets with drawers and/or adjustable shelving, assemble the drawers now with the instructions that come with the drawers and install as shown.

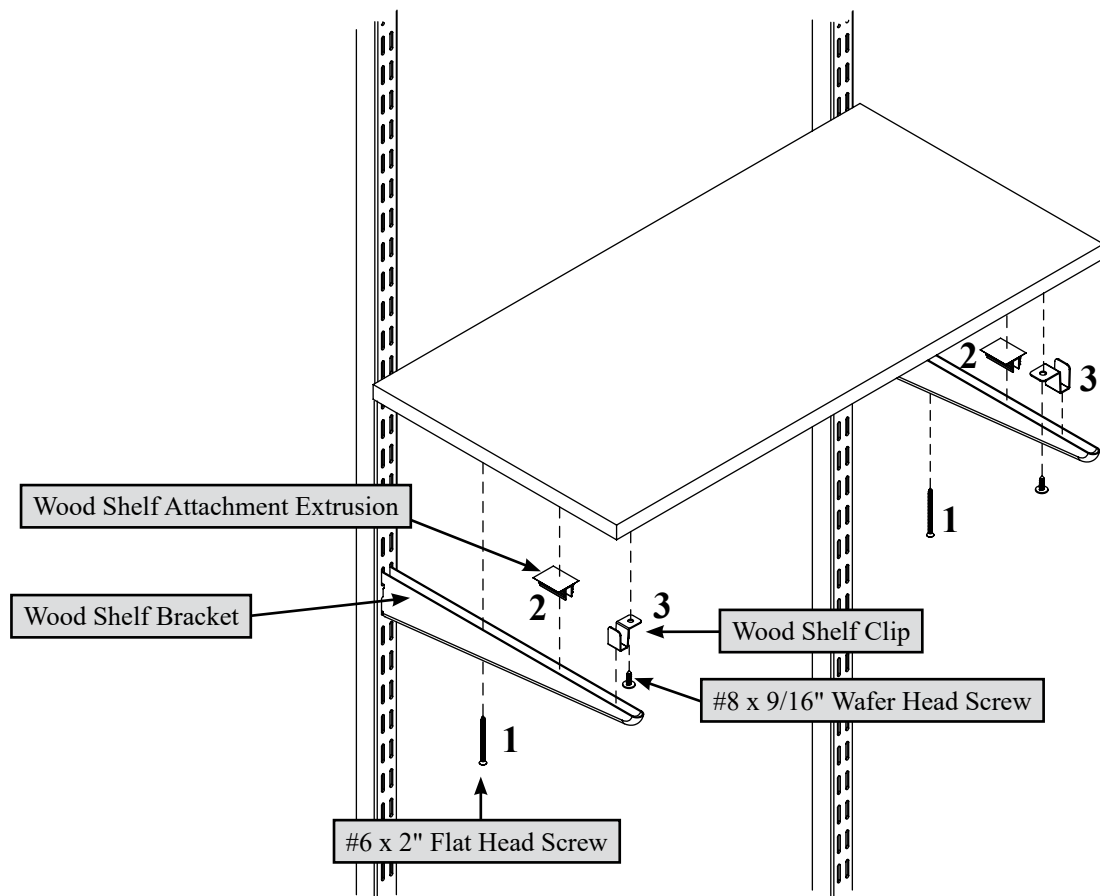


Shelf Bracket Installation

Install all Brackets in per the design.



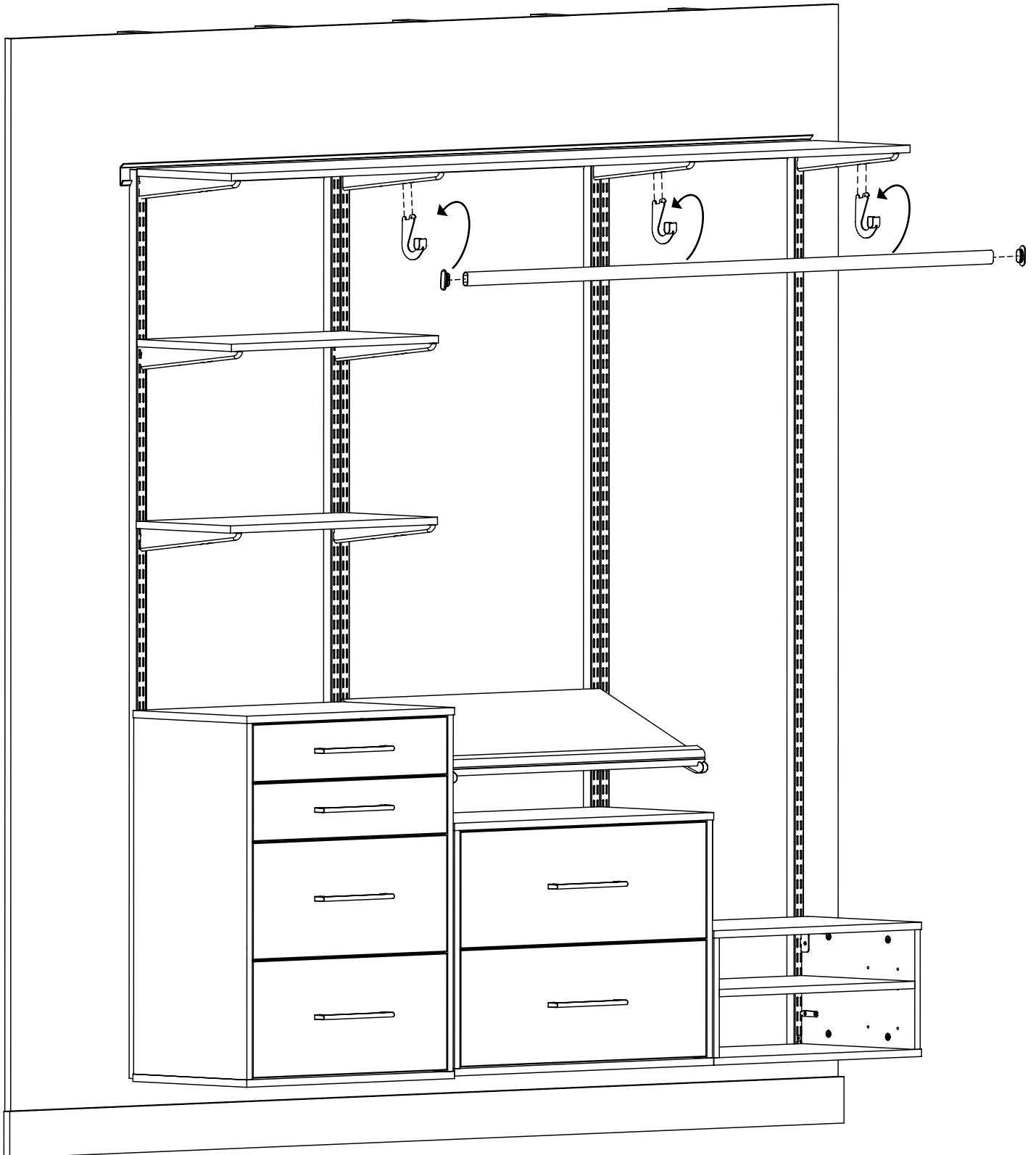
Shelf Installation



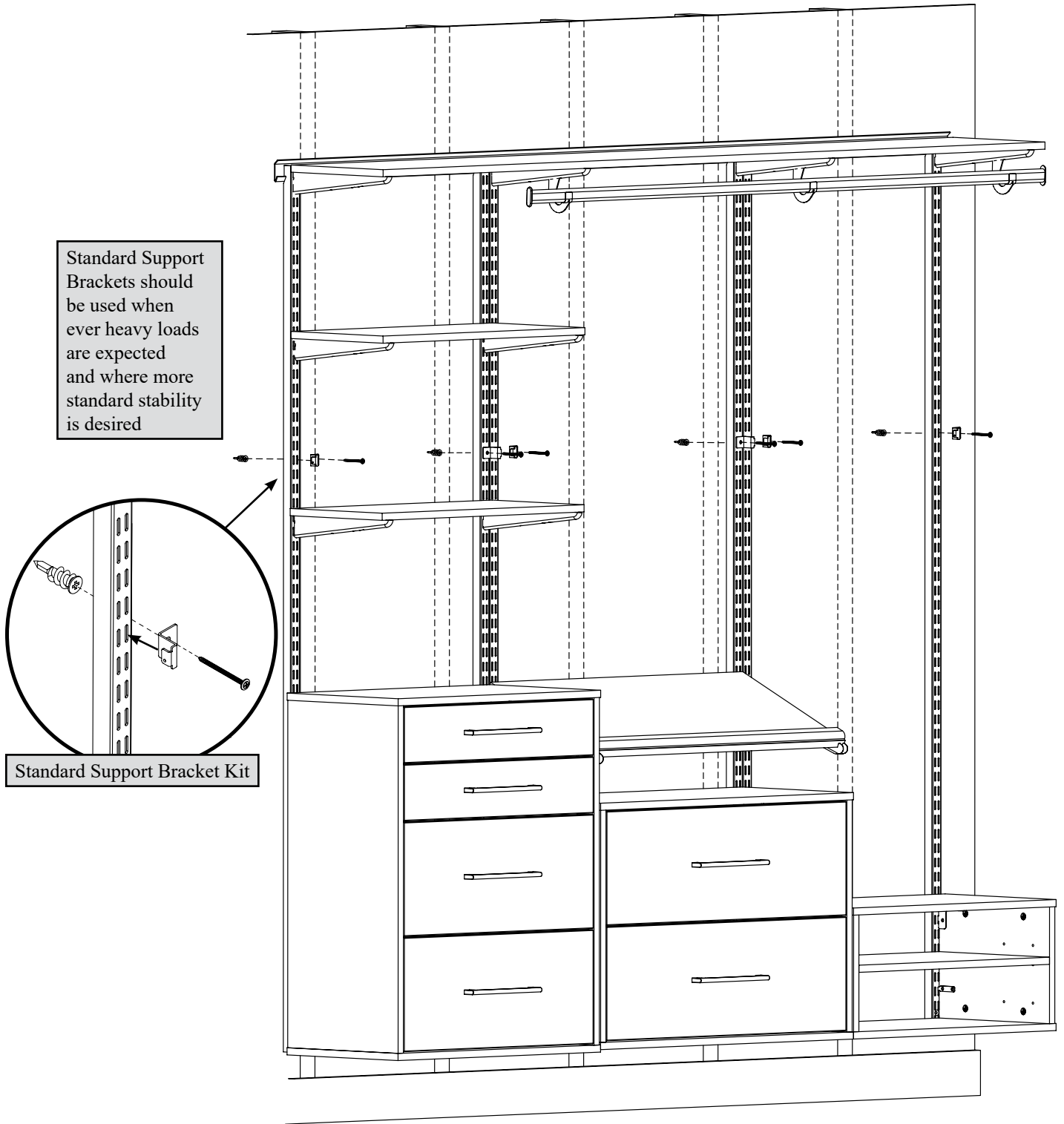
There are 3 ways to fasten a Wood Shelf to a Wood Shelf bracket. #1 is the preferred method with additional security of the Shelf by adding #2 or #3 options.

1. Turn a #6 x 2" Flat head screw through the center of the Wood Shelf Bracket and into the Woodshelf.
2. Push a Wood Shelf Attachment Extrusion into the groove of the Wood Shelf Bracket. Peel the paper backing off of the Extrusion. Stick the Wood Shelf to the Extrusion.
3. Place the Wood Shelf Clip into the groove of the Wood Shelf Bracket. Then fasten the Wood Shelf Clip to the Wood Shelf with a #8 x 9/16" Wafer Head Screw.

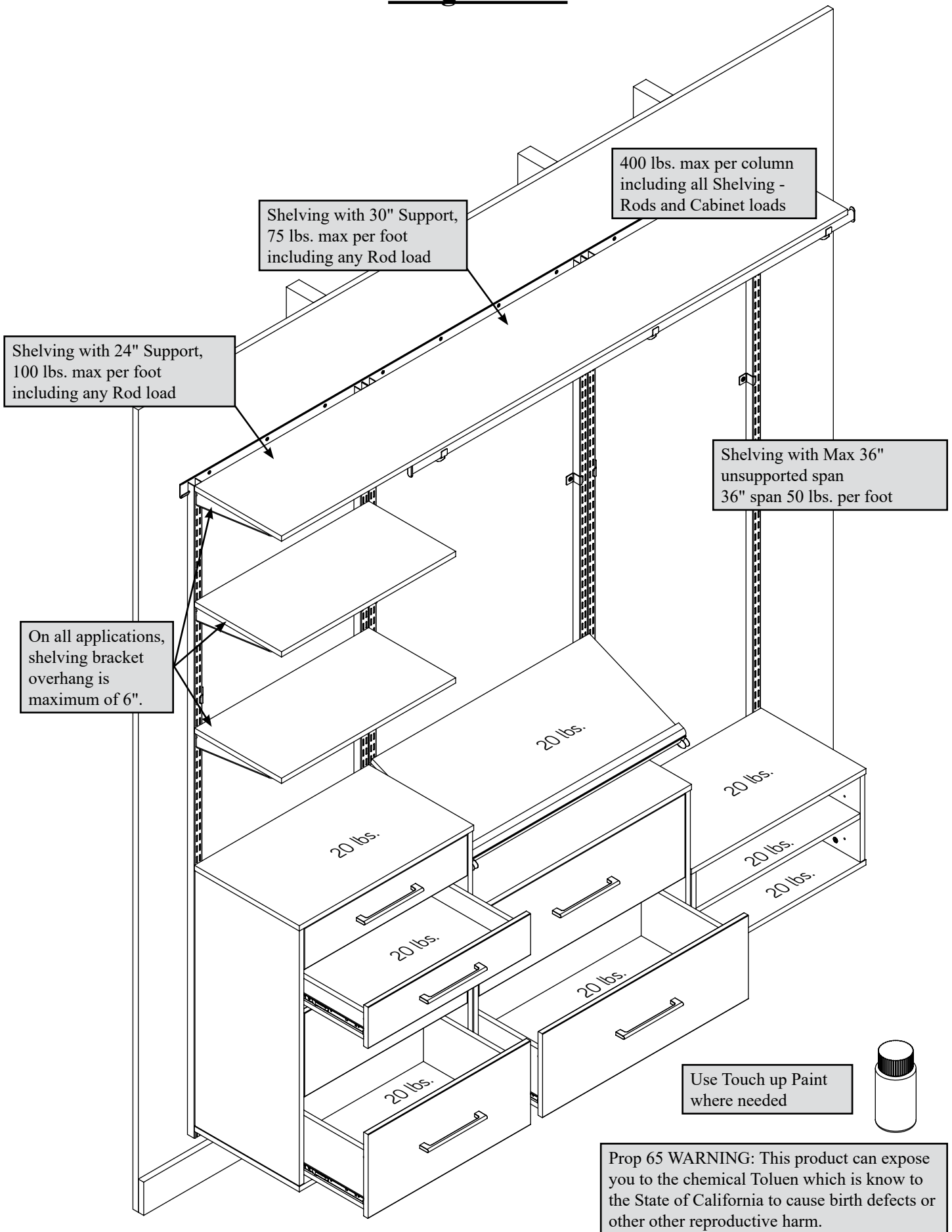
Rod, Rod Holder and End Cap Installation option per design



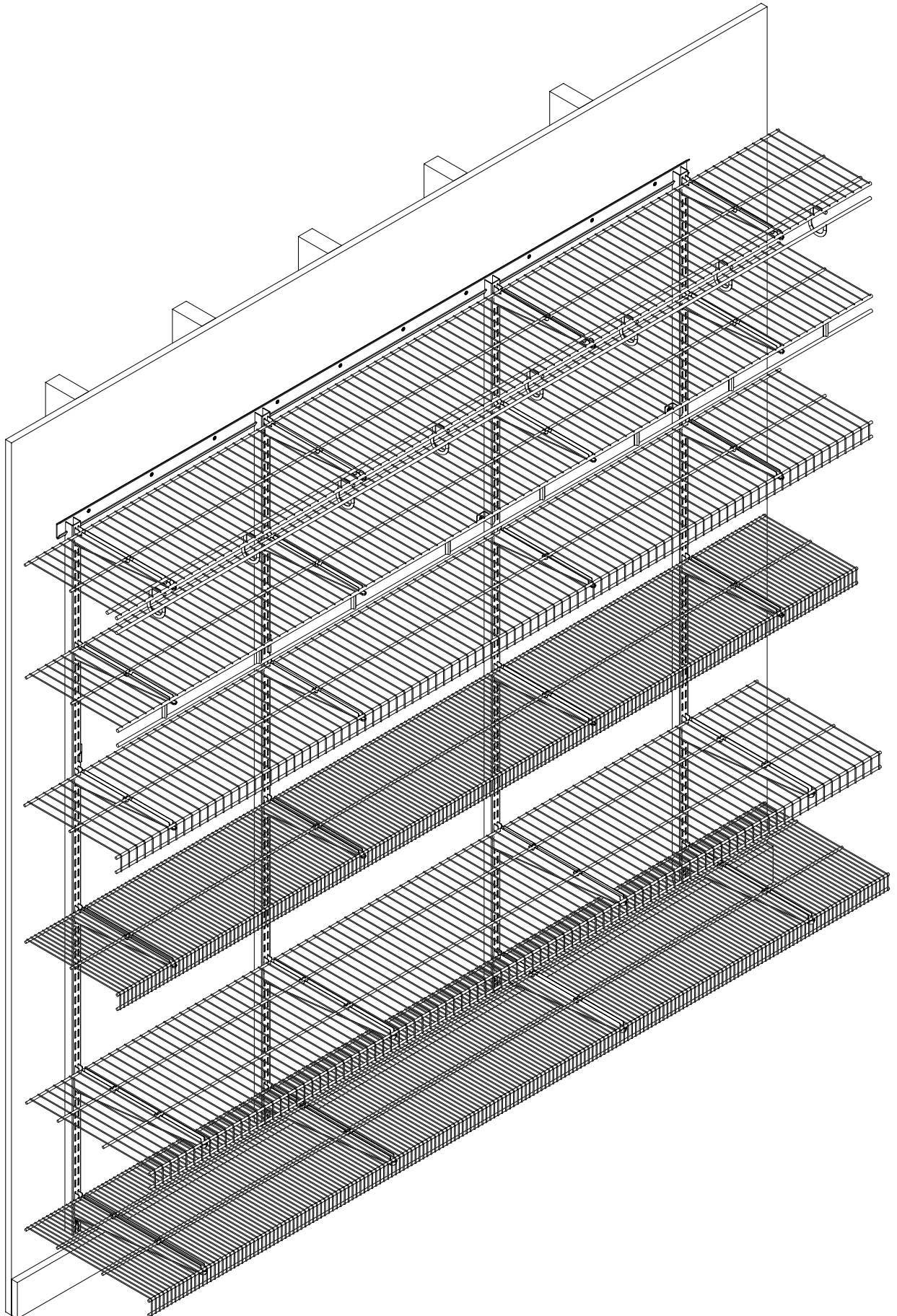
Standard Support Bracket Installation



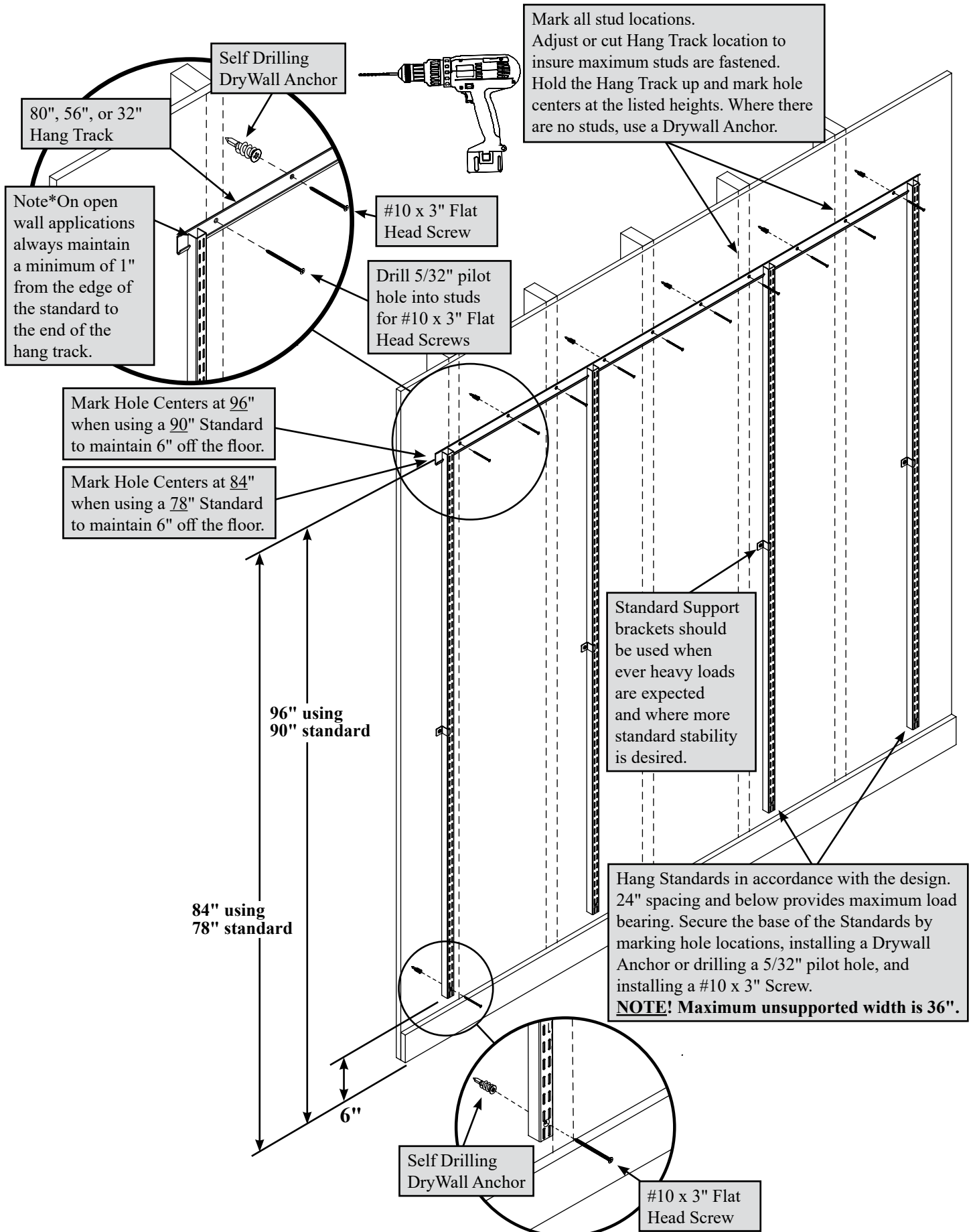
Weight limits



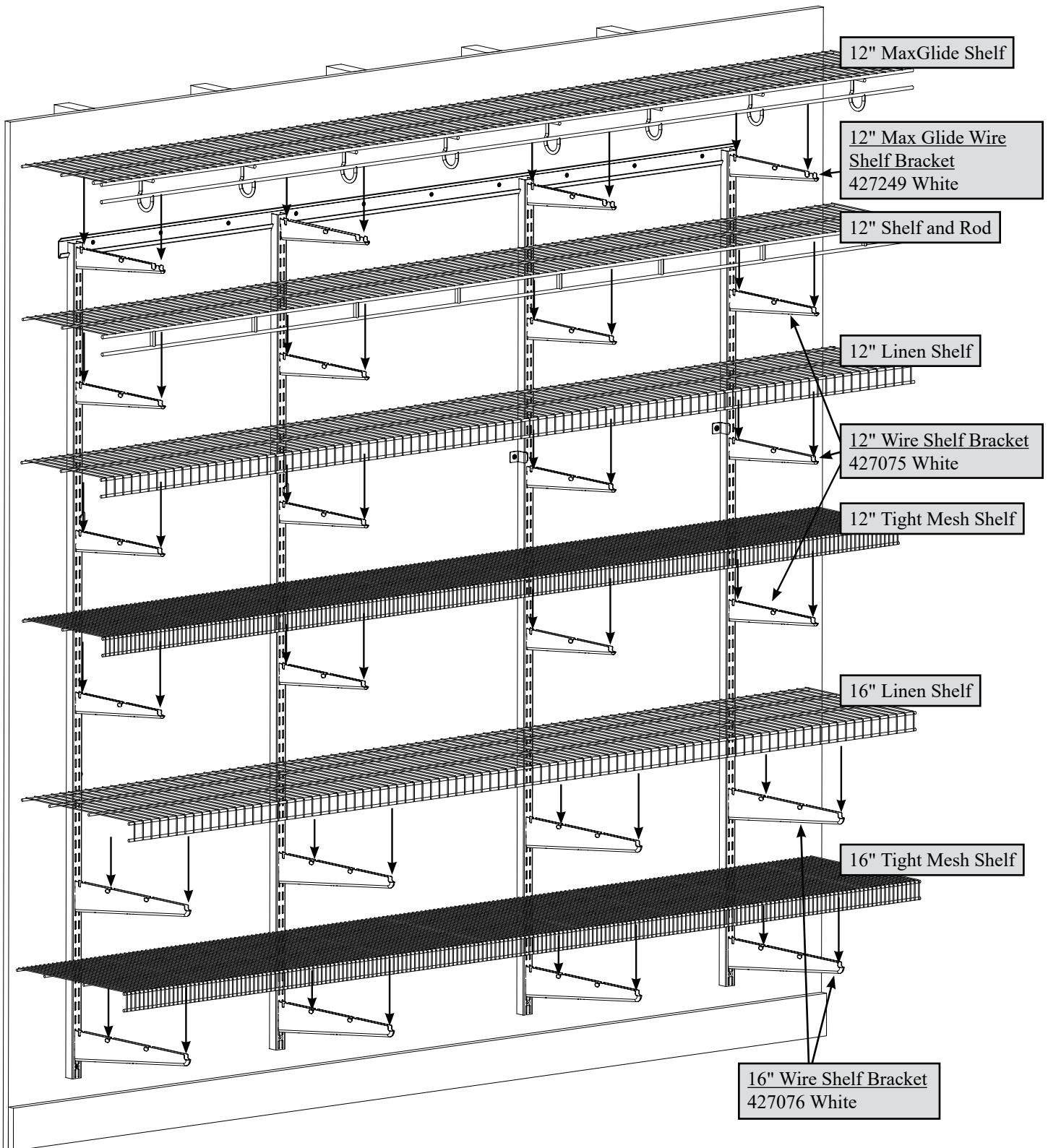
Wire Brackets and Shelves



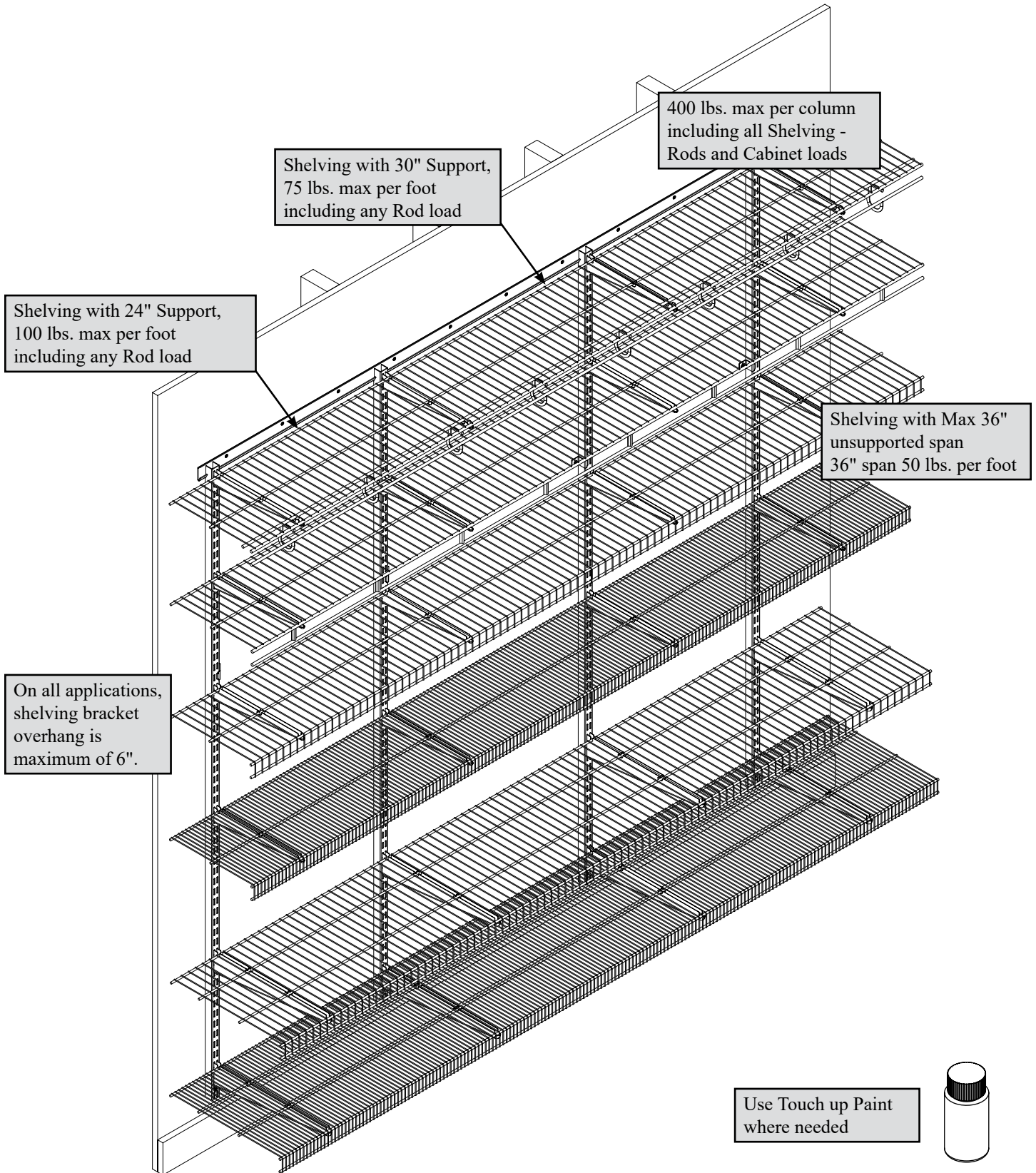
Standards and Track Installation for Wire Shelves



Wire Brackets and Shelves



Weight limits



Prop 65 WARNING: This product can expose you to the chemical Toluene which is known to the State of California to cause birth defects or other reproductive harm.

⚠ WARNING

Please use your furniture correctly and safely. Improper use can cause safety hazards, or damage to your furniture or household items. *Carefully read the following chart.*

Look out for:	What can happen:	How to avoid the problem:
<ul style="list-style-type: none"> • Loose or unstable closet components. • Tall closet component structures. • Closet component structures that are over five feet tall and placed in an open area or a walk-in closet. 	<ul style="list-style-type: none"> • Risk of injury • Closet components that are not properly connected can easily slide against each other and cause the structure to be unstable and tip over. • A tall closet structure can tip unless it is properly secured. 	<ul style="list-style-type: none"> • Closet components must be securely attached to each other from side to side, and top to bottom. • Secure the closet structure to a wall stud whenever possible. If you cannot use a wall stud, use the supplied wall anchors into your drywall. <p>(If attaching the product to a wall made of concrete, plaster, or other material, purchase and use the appropriate mounting hardware. The attachment hardware must be rated to provide a minimum of 100 pounds of pull strength.)</p>
<ul style="list-style-type: none"> • Overloaded drawers and shelves. 	<ul style="list-style-type: none"> • Risk of injury. • Top-heavy furniture can tip over. • Overloaded drawers or shelves can break. 	<ul style="list-style-type: none"> • Never exceed the weight limits shown in the instructions. • Work from bottom to top when loading shelves and drawers. Place the heavier items on the lower shelves or in lower drawers.
<ul style="list-style-type: none"> • Improper use of furniture to support TVs. • Setting TVs on furniture items not intended to support them is hazardous. 	<ul style="list-style-type: none"> • Risk of injury. • TVs can be very heavy. Plus the weight and location of the picture tube tends to make TVs unbalanced and prone to tipping forward. 	<ul style="list-style-type: none"> • This product is not designed to support a television.
<ul style="list-style-type: none"> • Children climbing or hanging on the shelves or clothing bars. 	<ul style="list-style-type: none"> • Risk of injury or death. 	<ul style="list-style-type: none"> • Do not allow children to climb or hang on the shelves or clothing bars. Avoid placing items like toys or candy on shelves.

SAUDER™ CLOSETS PRODUCTS LIMITED WARRANTY

Sauder™ Closets provides limited lifetime warranty coverage on Sauder™ Closets Products (the "Products") to the original first use retail consumer ("Consumer") as set forth in this limited warranty statement. This limited warranty gives you specific legal rights, and you may also have other rights which vary from state to state.

Limited Lifetime Warranty Coverage: Sauder™ Closets warrants that the Products will be free from defects in material and workmanship under conditions of normal, residential use, for the lifetime of the Products. This limited warranty extends only to the original, first-use retail Consumer, and is not transferable.

Limitations on Warranty Coverage: Sauder™ Closets Limited Lifetime Warranty (described above) is the only warranty coverage provided by Sauder™ Closets for the Products, and is in lieu of all other warranties. Under the laws of certain states, there may be no implied warranties from Sauder™ Closets, and **ALL IMPLIED WARRANTIES, INCLUDING ANY IMPLIED WARRANTY OF MERCHANTABILITY OR FITNESS FOR A PARTICULAR PURPOSE ARE DISCLAIMED AND EXCLUDED TO THE FULLEST EXTENT ALLOWED BY LAW.**

Exclusions from Coverage: This limited warranty does not cover defects arising from (1) the improper installation or use of the Products; (2) abuse or neglect; (3) any commercial, rental or non-residential use of the Products (including the installation and use of the Products in a commercial or rental structure); or (4) normal wear and tear.

Exclusive Remedy: Sauder™ Closets will (at its option) repair or replace any defective Products (or components) at no charge, subject to confirmation of the defect and proof of purchase, as the sole and exclusive remedy under this limited warranty. This limited warranty does not cover costs for installation, returning any defective Products to Sauder™ Closets, for removal or other labor costs in connection with the repair or replacement of the Products, all of which shall be the responsibility of the Consumer. Sauder™ Closets liability under this limited warranty shall not exceed the purchase price of the Products. Sauder™ Closets shall have **NO LIABILITY FOR ANY INCIDENTAL OR CONSEQUENTIAL DAMAGES OF ANY KIND**, and all such claims and damages are **DISCLAIMED AND EXCLUDED FROM THIS LIMITED WARRANTY.** You must notify Sauder™ Closets, in writing, within 90 days after discovering any defect in order to receive limited warranty coverage.

Some states do not allow limitations on how long an implied warranty lasts, or the exclusion or limitation of incidental or consequential damages, so the above limitations may not apply to you.

To Obtain Warranty Service or Information: For warranty inquiries or claims, contact Sauder™ Closets at 1-855-854-7465, 502 Middle Street, Archbold, OH (USA) 43502, sauderclosets@sauder.com. Return of any defective Product may be required by Sauder™ Closets, or we may elect to examine the product at its location. If we ask you to ship any Products to us, we will issue you a return authorization number and provide return instructions. For returned Products to qualify for limited warranty coverage, they must be returned in the original or equivalent packaging, in accordance with the shipping instructions you receive from us, and must prominently display the return authorization number on the return package.

Stay Connected

with 



Trust Sauder

Sauder has been making wood products since 1934. Today we offer a wide range of products, mostly made right here in Archbold, Ohio, and supported by our award-winning customer service.

Sauder™ Closets are supported by our Limited Lifetime Warranty and offers the same made-in-the-USA advantages as the rest of our product line.

Certificate of Conformity

1. This certificate applies to the Sauder Woodworking Product identified by this Instruction Book.
2. This certificate applies to compliance of this product with the CPSC Ban on Lead-Containing Paint (16 CFR 1303).
3. This product is manufactured by:
Sauder Woodworking Company
502 Middle Street
Archbold, Ohio 43502
(419) 446-2711
4. Date of Manufacture: _____



register your new product online

For immediate service, our website is available 24 hours a day, 7 days a week to order replacement parts, register your product, and view Sauder™ Closets products. www.sauder-closets.com

Consumer Services in United States and Canada
Mon.-Fri. – 9am-5:30pm ET(except holidays)
1-855-854-7465