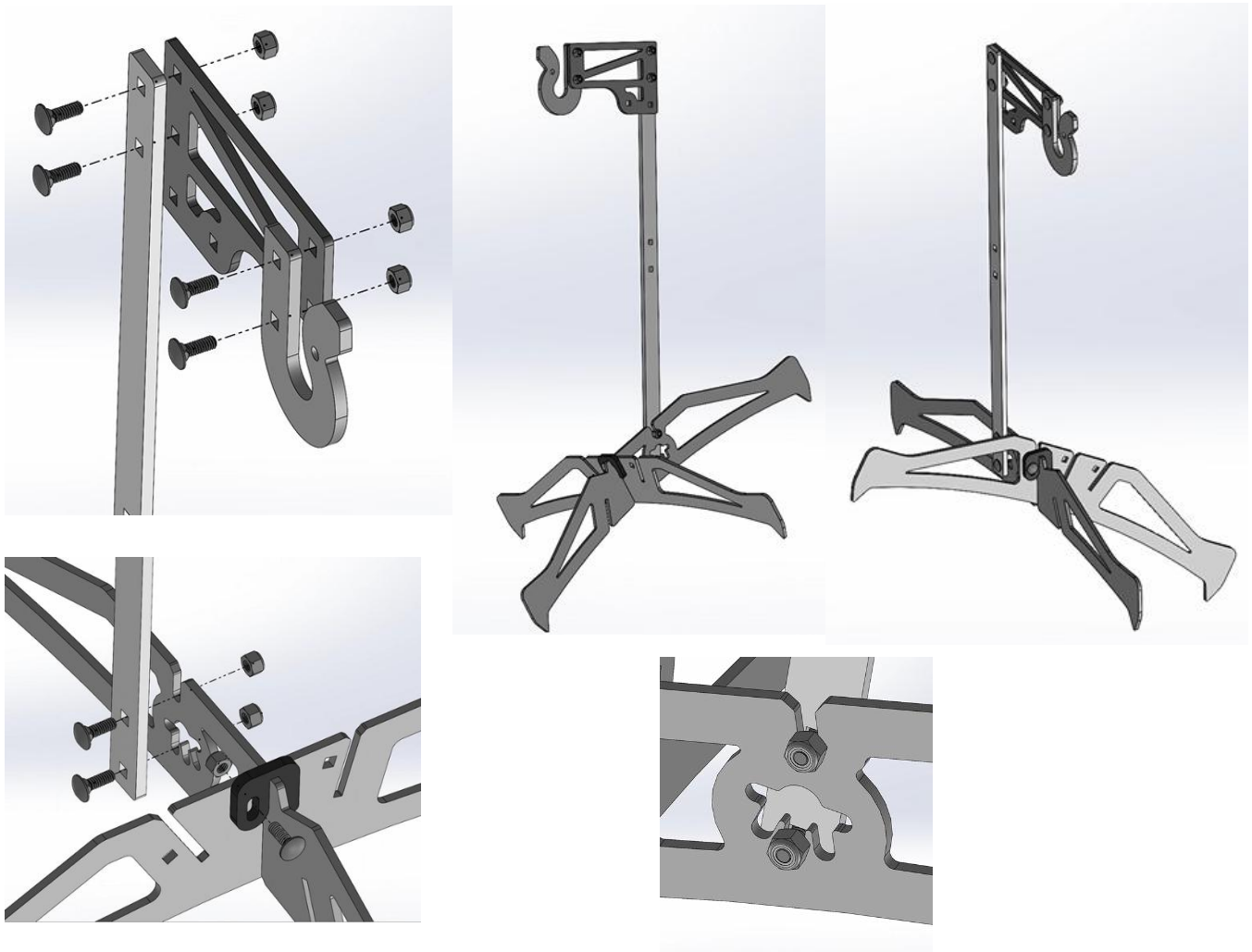




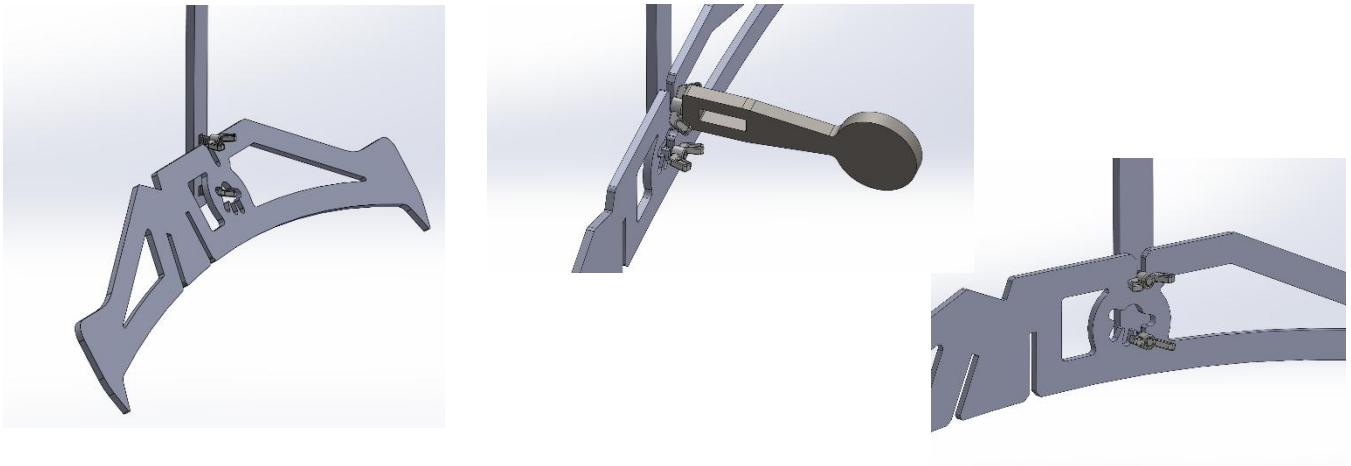
Thank you for your purchase of the MPS Premium Target System! Here you will find a set of brief assembly instructions. For more detailed information, please visit our website for downloadable pdfs, as well as in-depth assembly videos that walk you through setup and use. We've gone through great lengths to produce the most reliable match-grade target system on the market. If assembled correctly, and placed on solid ground, you should experience zero target failures for many matches to come. Enjoy your new targets, and we hope your next match is a success!

Assemble per the images below. *Tighten nuts to 1/16 turn past snug.* We do not recommend use of an impact to tighten nuts, as this may cause premature hardware failure due to over-torquing.

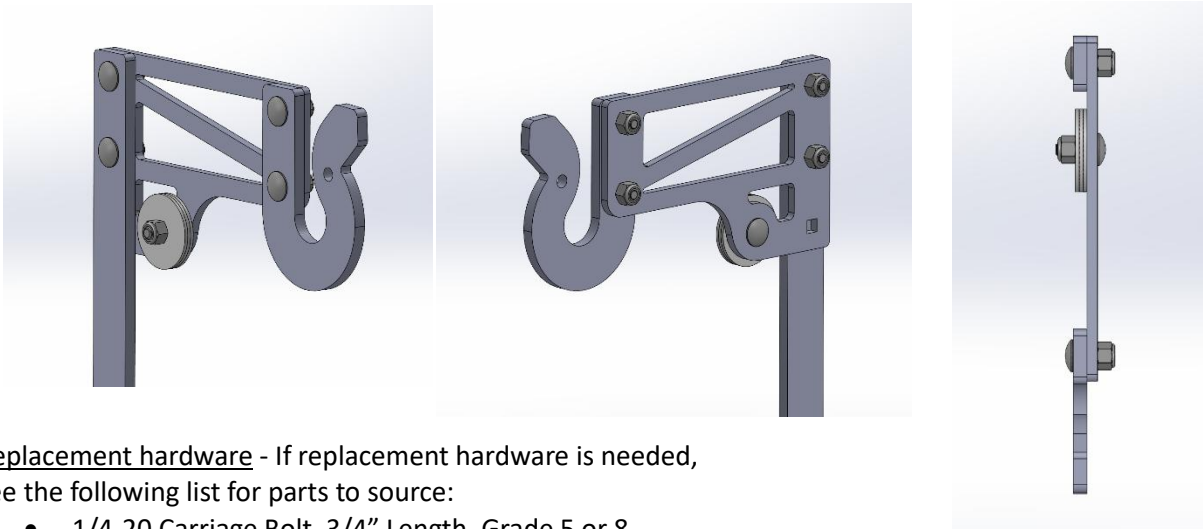


Base Angle Options – When you assemble the bases, you will have the option to change the base angles, depending on the slope of the ground or berm where the target will be placed. The front angle can be adjusted by moving the bottom upright bolt to a different slot in the angle adjustment feature. The side angle can be adjusted by using a different slot in the side base.

Optional Wingnuts – When installing the bases, you have the option to use the provided locking wingnuts. These enable “toolless” assembly and disassembly the bases. The image on the left shows how to install the base onto the upright by sliding it in at an angle. Note, you’ll want to first make sure that your wingnuts are both in a horizontal position to allow them to pass through the openings. When tightening the wing nuts, feel free to use a target like a flathead screwdriver to provide more torque when tightening. However, be careful to not over tighten, as this could damage the wingnuts. Torque to 1/16 turn past snug.



Washer Bumper Installation – Each of your stands should include 3 washers to be used as a target bumper. Early shipments did not include bumpers, so if you did not receive them please contact us and we can ship them to you at no cost. **The bumper is required for use with the 1” target** to prevent the target from getting stuck on the side of the extension bracket. We recommend just installing bumpers on all your stands during setup. Here is the correct bumper orientation. Note: make sure the bumpers are on the same side as the hook!



Replacement hardware - If replacement hardware is needed, see the following list for parts to source:

- 1/4-20 Carriage Bolt, 3/4” Length, Grade 5 or 8
- 1/4-20 Nylon Lock Nut, Grade 5 or 8
- 1/4-20 Nylon Lock Wingnut
- 1/4 x 1-1/2 Fender Washer