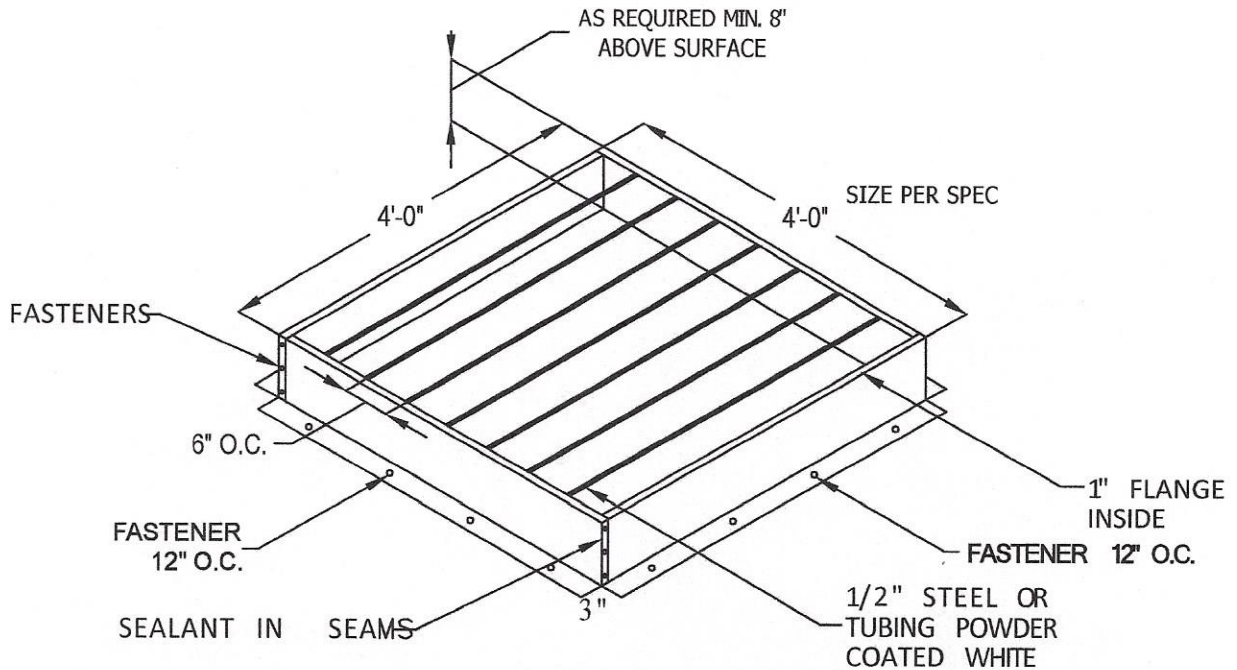


INTEGRAL CURB/SECURITY GRILLE WITH MECHANICAL FASTENED CORNERS

INTEGRAL CURBS SHALL BE 8' HIGH (ABOVE FINISHED ROOF SURFACE) HEIGHT TO BE SPECIFIED, BY SIZE OF SKYLIGHT REQUIRED, AND SHALL BE CONSTRUCTED OF 18 GAUGE GALVANIZED STEEL, WITH 3" FLANGES AND SCREWED TOGETHER CORNERS. CURBS SHALL HAVE A REFLECTIVE INTEGRAL SECURITY GRILLE, MADE UP OF 1/2" DIAMETER STEEL BARS OR TUBING SECURED TO THE SIDES OF THE CURB. BARS SHALL BE PLACED IN ONE DIRECTION ON A 6" O.C. SPACING BARS ARE POWDER COATED POLAR WHITE. CURBS SHALL BE ANCHORED TO ROOF DECK WITH 4-#12 FASTENERS PER SIDE.



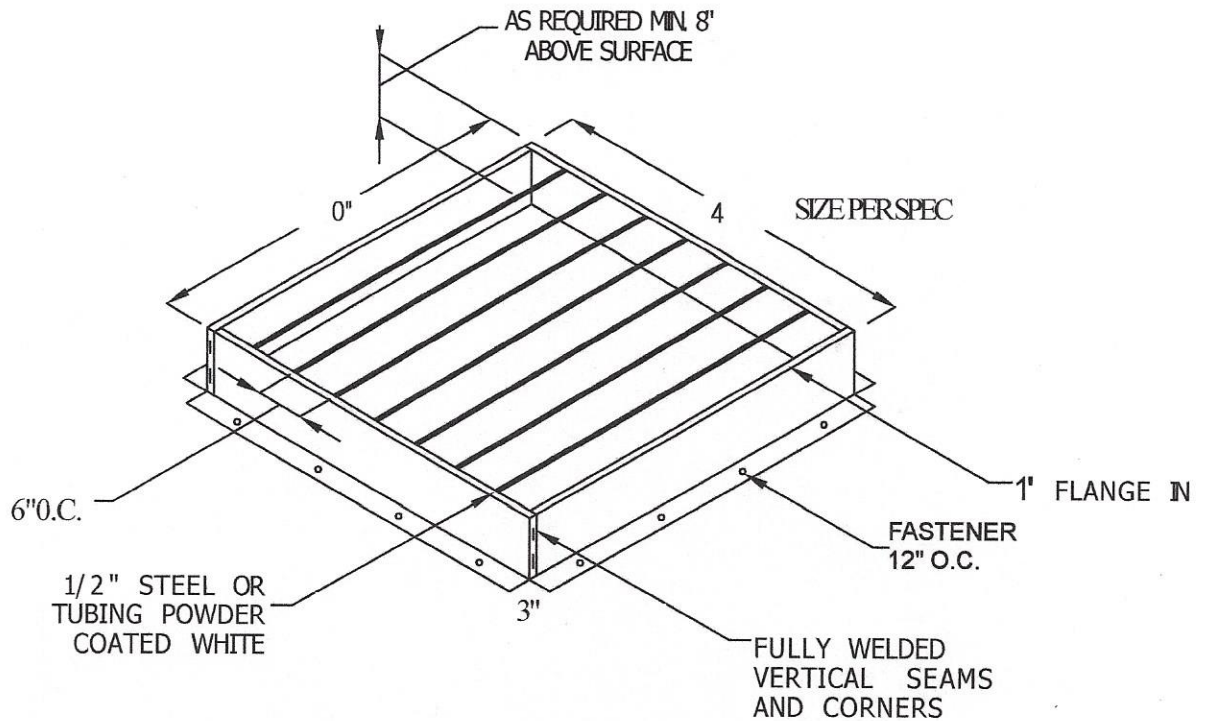
AVAILABLE IN 2424, 2448, 4848 & 6072 SIZES STANDARD
CUSTOM SIZES AVAILABLE ON REQUEST

COPYRIGHT: All reproduction or unauthorized use of these documents is prohibited without written consent. Daylight America Inc reserves all rights.

WWW.DAYLIGHTING.COM

INTEGRAL CURB/SECURITY GRILLE WITH FULLY WELDED SEAMS SEAMS

INTEGRAL CURBS SHALL BE 8' HIGH (ABOVE FINISHED ROOF SURFACE) BY SIZE OF SKYLIGHT REQUIRED, AND SHALL BE CONSTRUCTED OF 18 GAUGE GALVANIZED STEEL, WITH 3" FLANGES AND FULLY WELDED SEAMS AND CORNERS. CURBS SHALL HAVE A REFLECTIVE INTEGRAL SECURITY GRILLE, MADE UP OF 1/2" DIAMETER STEEL TUBING SECURED TO THE SIDES OF THE CURB. BARS SHALL BE PLACED IN ONE DIRECTION ON A 6" O.C. SPACING, BARS ARE POWDER COATED POLAR WHITE. CURBS SHALL BE ANCHORED TO ROOF DECK WITH 4-#12 FASTENERS PER SIDE.



AVAILABLE IN 2424, 2448, 4848 & 6072 SIZES

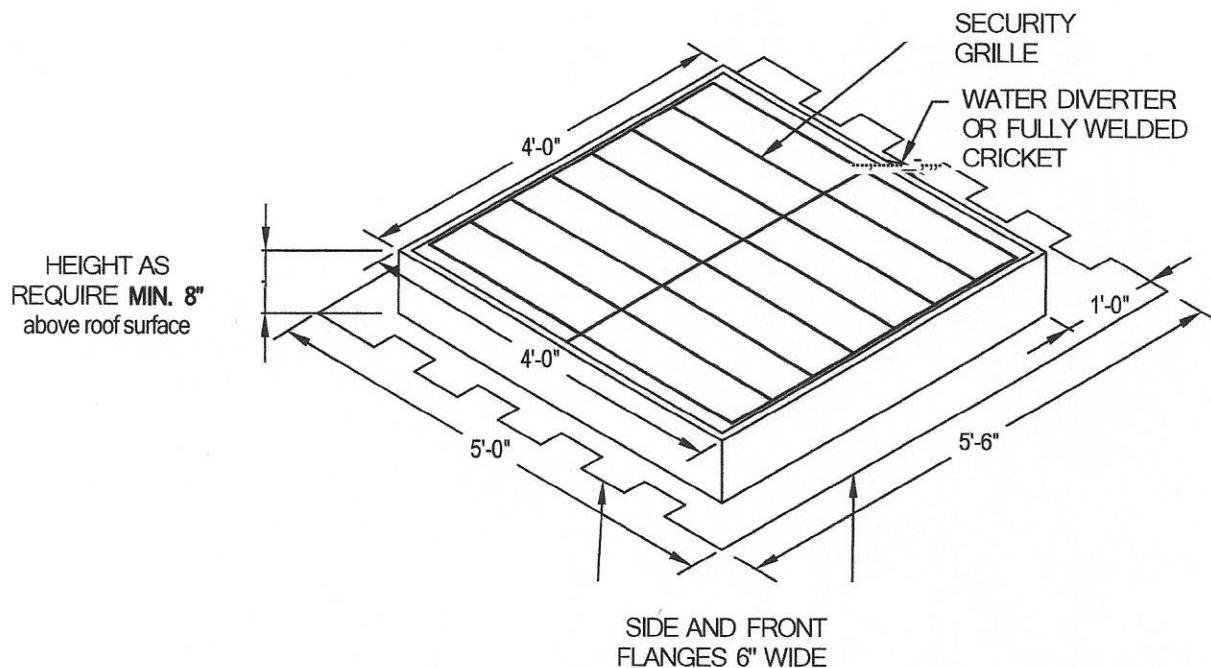
COPYRIGHT: All reproduction or unauthorized use of these documents is prohibited without written consent. Daylight America Inc reserves all rights.

WWW.DAYLIGHTING.COM

CURB/SECURITY GRILLE WITH NOTCHED FLANGES FOR METAL ROOF APPLICATIONS

NOTE: THIS CURB DESIGN CAN BE INSTALLED ON STANDING SEAM OR "R" PANEL METAL ROOFS WHEN FOAM AND COAT OR CLOSURE CAPS ARE USED AS FLASHING DETAILS. FLANGES ARE TOP MOUNTED ON EXISTING ROOF PANELS. SPECIFIC DIMENSIONS ARE PROVIDED AFTER FIELD MEASUREMENTS ARE VERIFIED

AVAILABLE IN STANDARD AND CUSTOM SIZES



COPYRIGHT: All reproduction or unauthorized use of these documents is prohibited without written consent. Daylight America Inc. reserves all rights.

WWW.DAYLIGHTING.COM