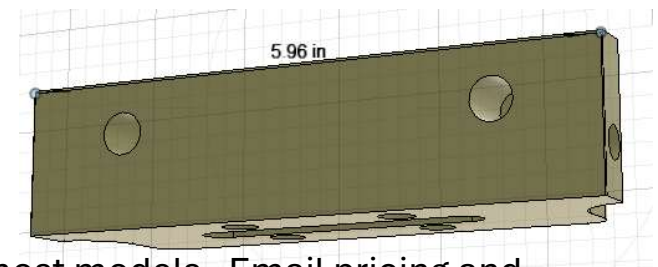




Don't Machine like a tool.... Machine like a BOSS Bosslevelcncproducts.com

Adaptive carriers to enable Kurt style, low cost, readily available vise jaws to be used on popular U.S. made and European Self centering vises.

Features ground interface surfaces, precision machined out of Oxided, Chrome Moly semi hardened steel for toughness and durability for years to come. Most feature a threaded hole on the side for stops etc. Most 4" versions can be flipped 180 degrees to run 3" Boss Jaws..



SPRING 2024 REVISION A

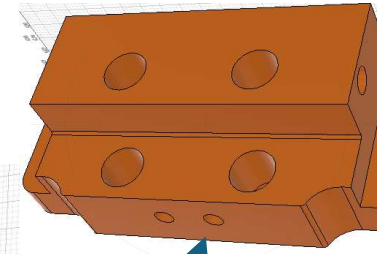
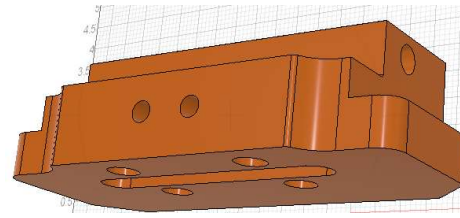
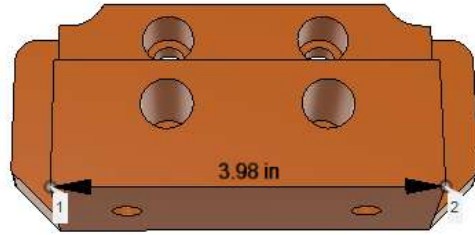
Inventory maintained on most models. Email pricing and availability questions or dealer locations to office@bosslevelcncproducts.com responses in 24-48hrs

www.bosslevelcncproducts.com

32098

1 Female boss. 4" face to hold standard 4" industry standard vise jaws, and Boss 3" jaws on the backside,

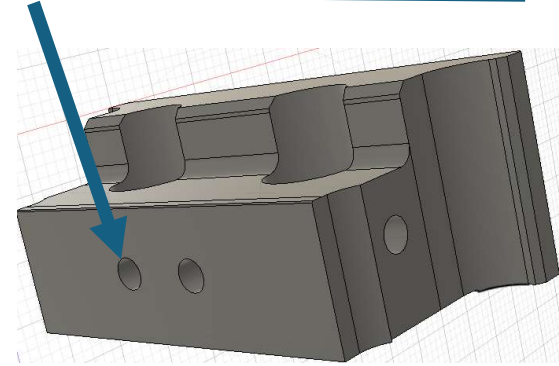
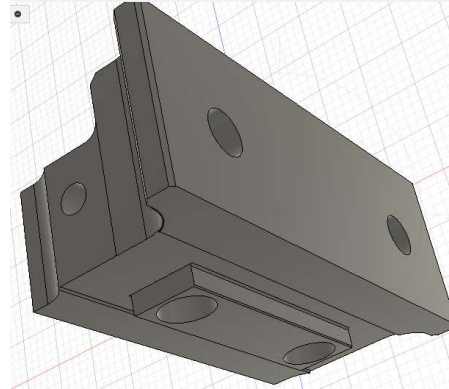
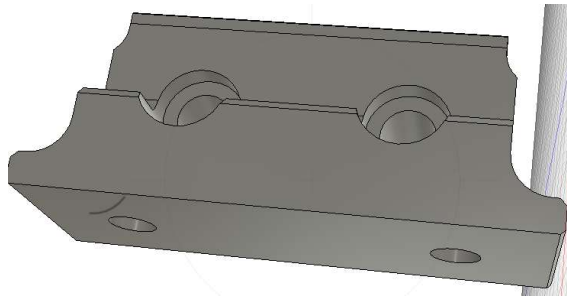
Fits popular USA brand self centering vise, with **approximately a 61mm x 10mm Boss with a 6mm dowel.** SEE PAGE 6 FOR PICS.



See page 5 for more info.

31434

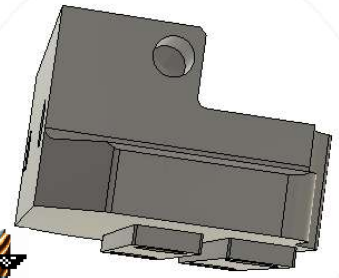
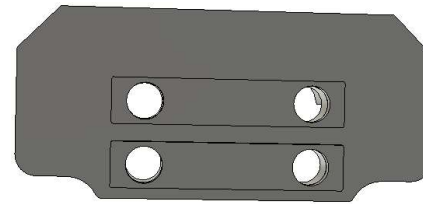
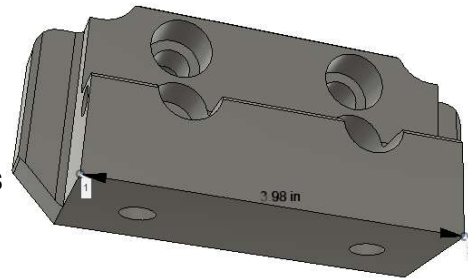
1 Male boss. 4" face. To hold standard 4" industry vise jaws, and also Boss jaws on the backside. Fits on popular European brand vise with **54mm x 14mm boss**



31778

2 Male bosses to interface with popular European self centering vise, **utilizing both bosses for added rigidity and strength**, uses 4" industry standard vise jaws and can be flipped around to use Boss 3" jaws on backside.

Popular European vises with **70mm x 14mm boss.**



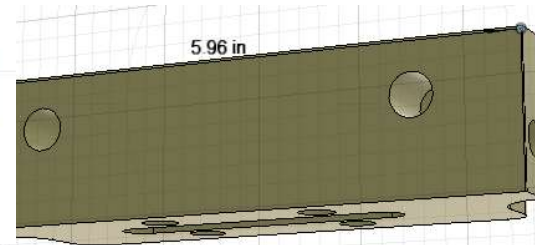
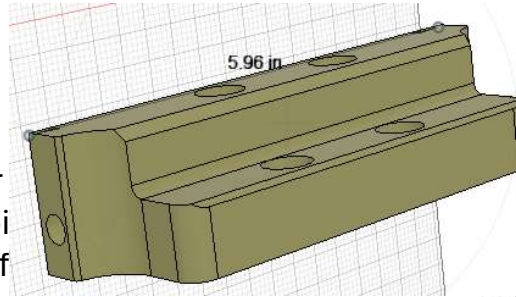
BOSS- an ally for the CNC shop, a great-fit for better pro-fit.



www.bosslevelcncproducts.com

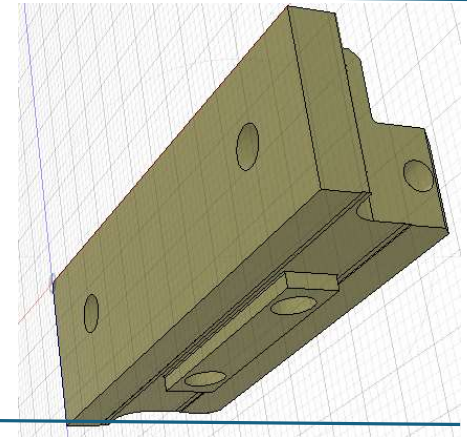
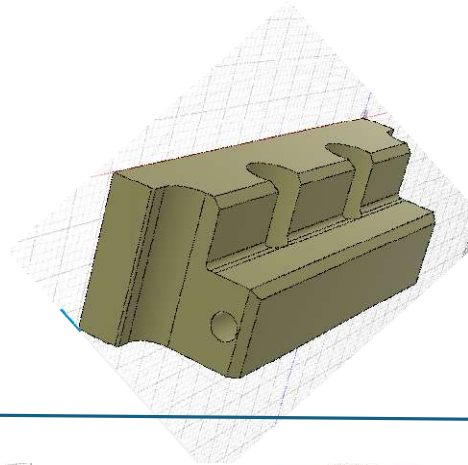
33142

Female boss. 6" x 1.5" face. Makes running industry standard 6" vise jaws capable on your popular U.S. made vises with 4 bolts a dowel pin and female boss. Shorter low profile version of 31478. approximately a 61mm x 10mm Boss with a 6mm dowel.



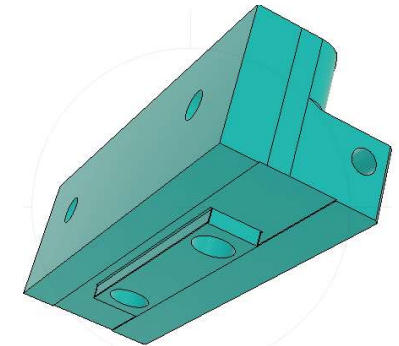
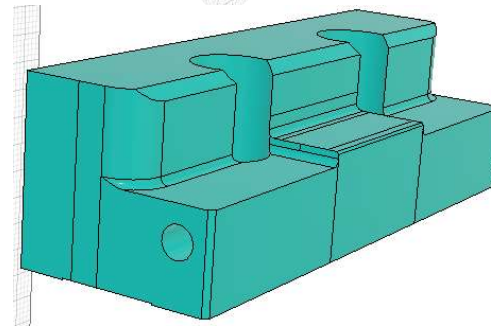
33203

1 Male boss. 6" x 1.75" face. Makes industry standard 6" vise jaws capable on your popular European vise with 2 bolts and a male boss, low mass version of 31522 Popular European vises with **70mm x 14mm boss**



33264

1 Male boss. 5" x 1.5" face. Makes industry standard 5" vise jaws capable on your popular European vise with 2 bolts and a male boss. Popular European vises with **70mm x 14mm boss**

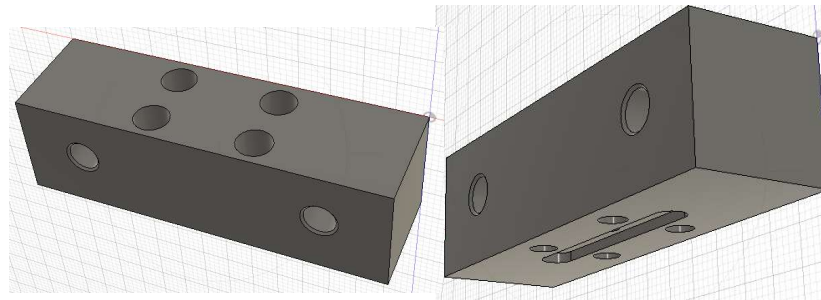


Products reducing your costs

www.bosslevelcncproducts.com

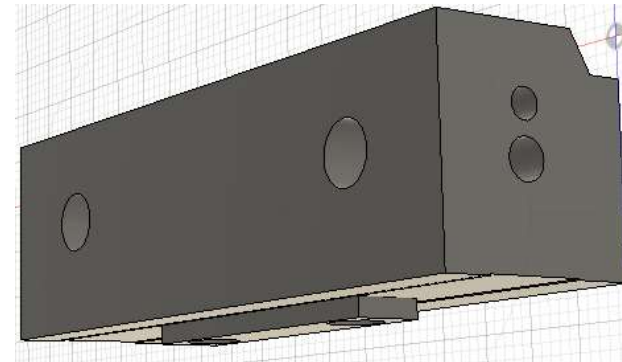
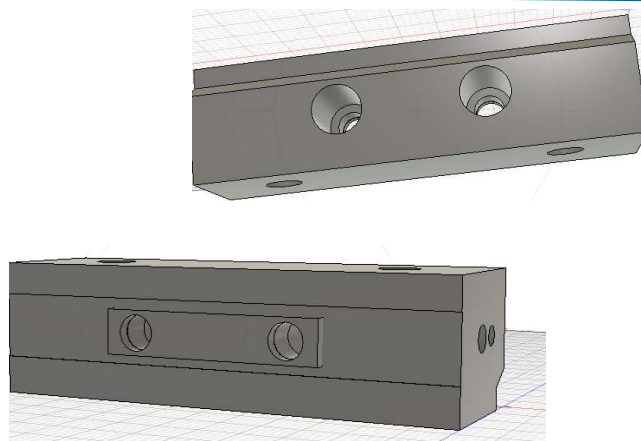
31478

Female boss. 6"x1.75" face. Basic Carrier block enabling taller industry standard 6" vise jaws to be used on popular U.S. made self centering vise with 4 bolts, dowel pin and female boss. Fits popular USA brand self centering vise, with **approximately a 61mm x 10mm Boss with a 6mm dowel.**



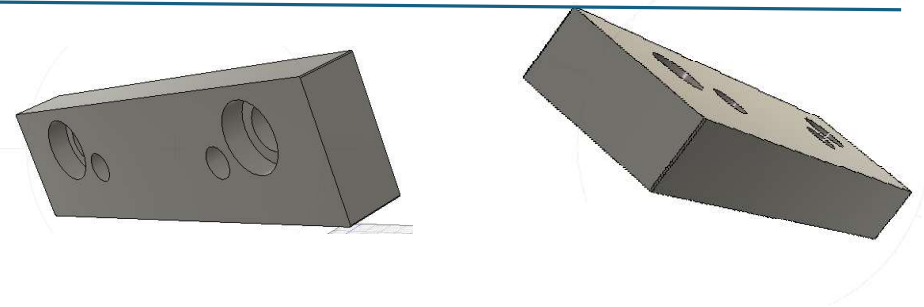
31522

1 Male boss. 6" x 1.75" face. Basic Carrier block enabling taller industry standard vise jaws to be used on popular European vise with a male boss and 2 bolts. Popular European vises with **70mm x 14mm boss. See 33203 for low mass version.**



32793

Enables your industry standard 6" vise to run 4" industry standard jaws to save on workholding costs and improve flexibility between vises.



Don't machine like a tool.... Machine like a BOSS

www.bosslevelcncproducts.com

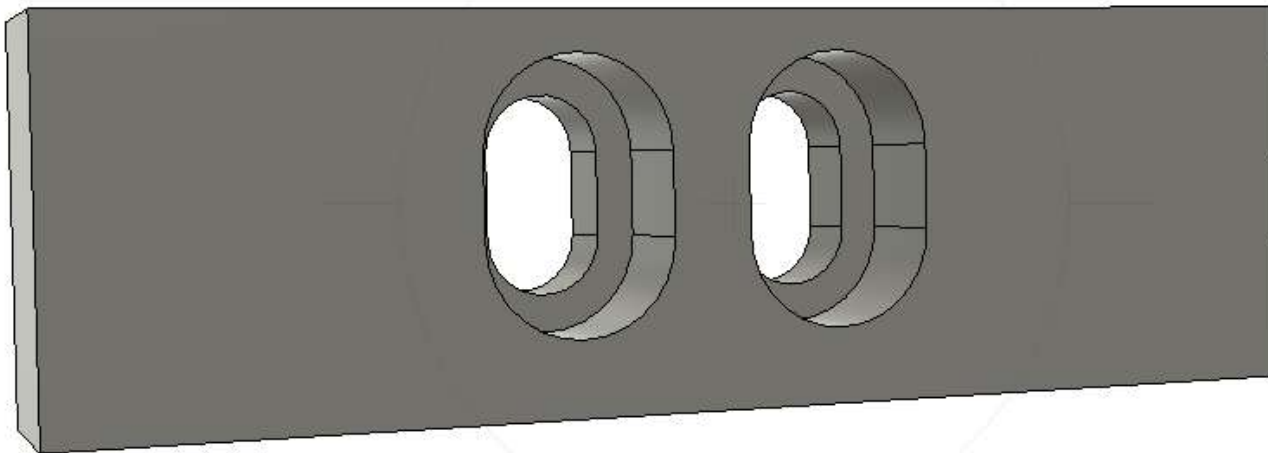
32835 – 3”x1”x1/2” Alum

32797 – 3”x1”x1/2” Steel

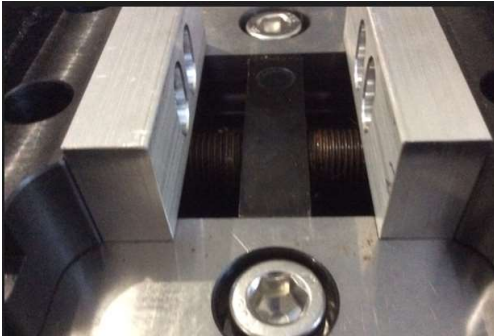
Bosses own machinable jaws. Many carrier adapters come with 1 set of Aluminum jaws, replacements and many other materials available to purchase.

Roughly 3” x 1” x 1/2”, use short M6x1 hardware. Flippable for more utilization.

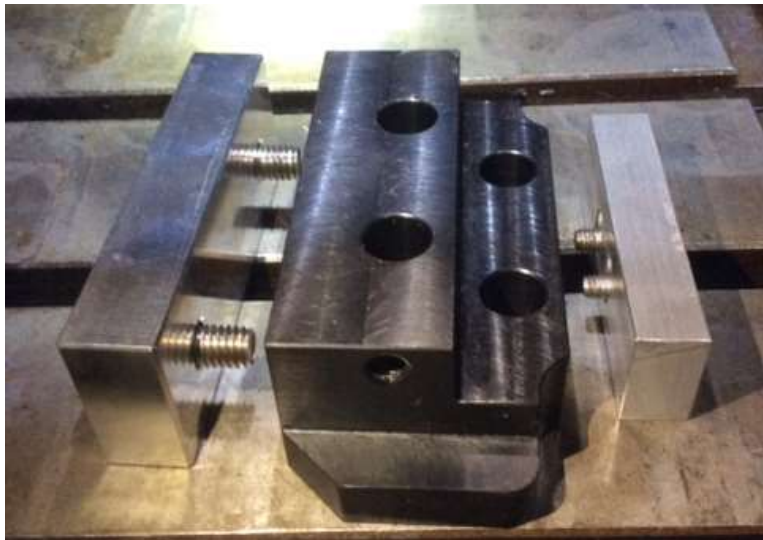
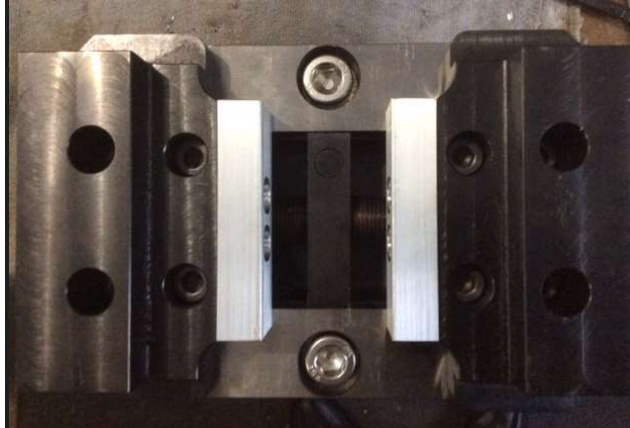
See page 6 for pic in action.



“Creativity leads to Profitability” -someone somewhere



Flipped around to use BOSS 3" soft jaws...



32098 In action.. Holds industry standard 4" jaws, and BOSS 3" jaws.



Note: on this particular model, you need to bolt the 4" to the carrier first then carrier to vise in most cases as there isn't much room for an allen wrench on most thicknesses of jaws.