

# Model 110-D2

Fire-rated, low profile.  
Integral threaded nut positions glass for quick installation.  
Holds fire-glass & additional pane.



This frame may be installed with most fire-rated glazing material that has approval for conformance to ANSI/UL 10B, ANSI/UL 10C, NFPA 80, NFPA 252, or CAN/ULC S104. Contact AMS for frames intended for use with resistive glass.

Welded stiffener reduces flex.

Threaded nut accepts sheet metal screw, positions glass in the door cutout & provides tamper-resistance from corridor side.

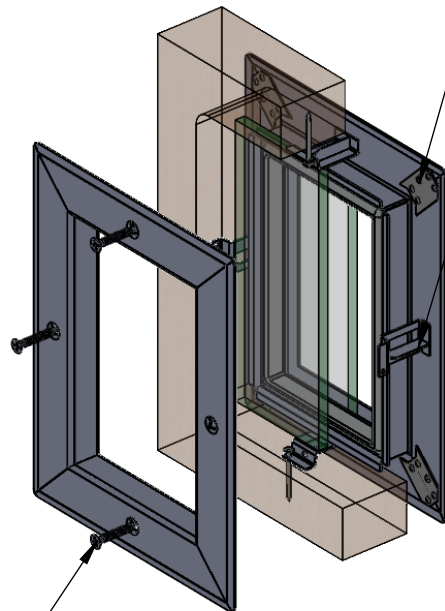
Two nails secure frame half into the door cutout significantly reducing installation time.

Fasteners hidden on corridor side.

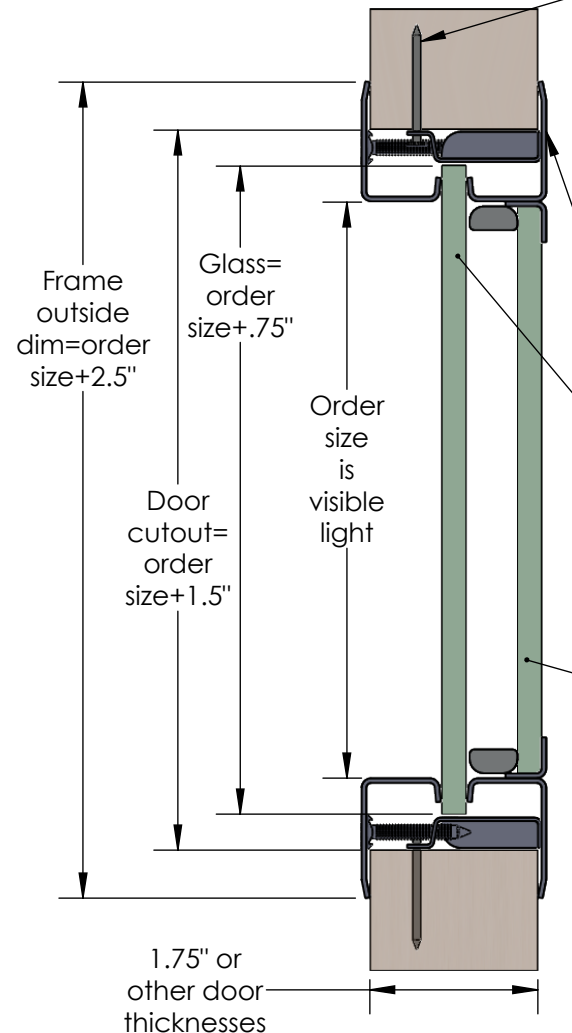
Low profile provides less interference for exit hardware.

Fire-rated, tempered, impact-resistant, & more glass types available.

Additional pane of tempered, impact-resistant, & more glass types available.



Sheet metal screws included.



## Materials & Finish

18 ga mild steel standard.  
Galvanized or stainless steel available.  
Extremely durable powder coating.  
Beige, gray & dark bronze standard.  
RAL & custom colors available.  
Real wood veneer.