

# Model 110B-D2

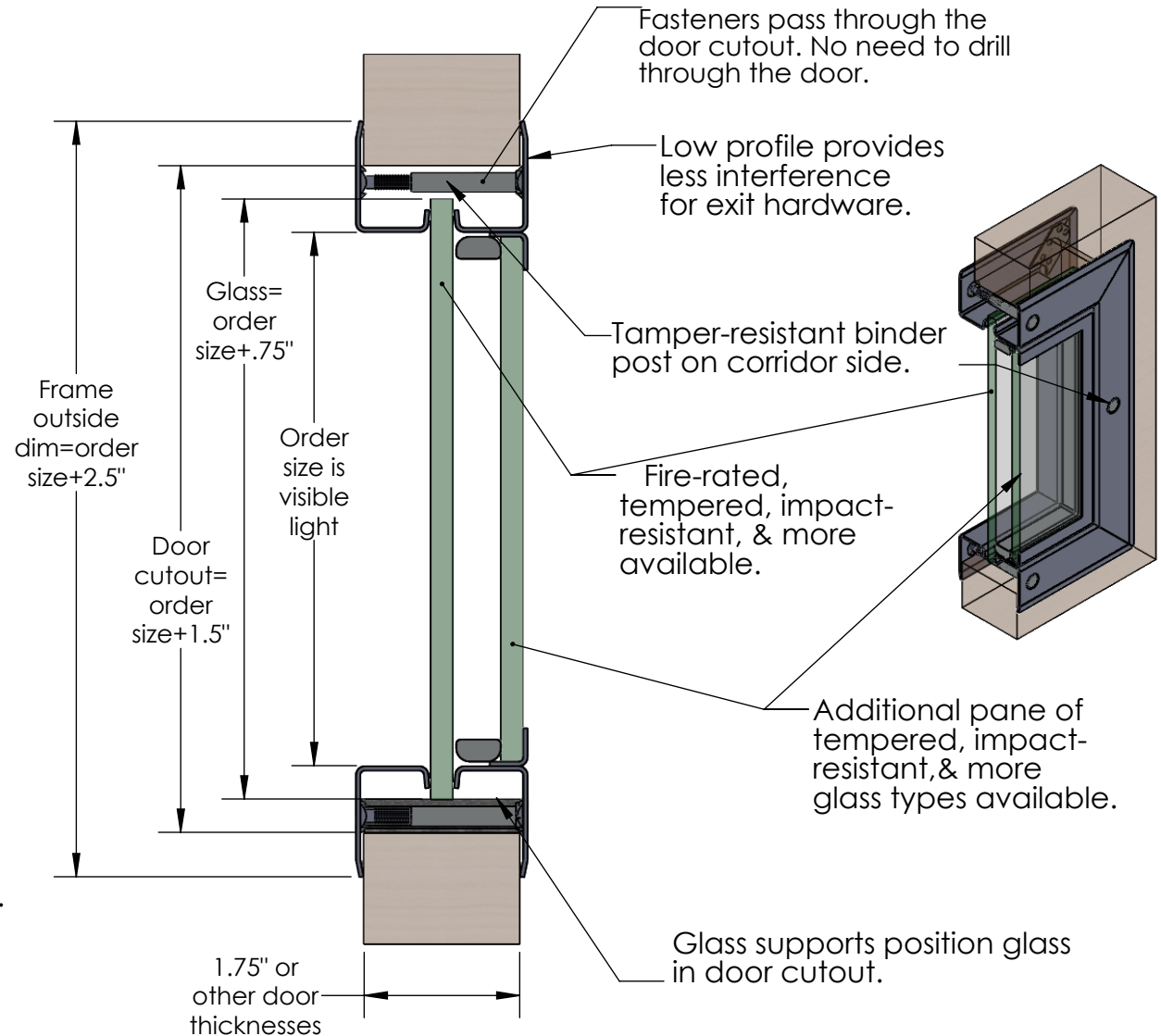
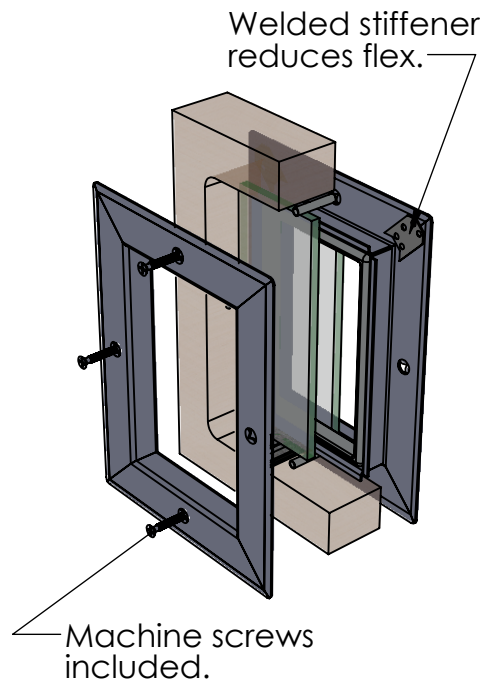
Fire-rated, low profile.

Use in place of model 110-D2 when screws & binder posts desired.

Holds fire-glass & additional pane.



This frame may be installed with most fire-rated glazing material that has approval for conformance to ANSI/UL 10B, ANSI/UL 10C, NFPA 80, NFPA 252, or CAN/ULC S104. Contact AMS for frames intended for use with resistive glass.



## Materials & Finish

18 ga mild steel standard.  
 Galvanized or stainless steel available.  
 Extremely durable powder coating.  
 Beige, gray & dark bronze standard.  
 RAL & custom colors available.  
 Real wood veneer.