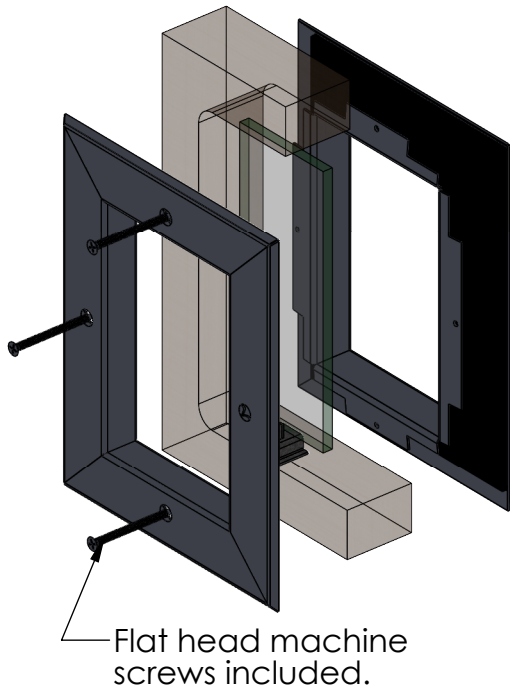


# Model 115-L2

Fire-rated when the glass meets appropriate fire ratings.  
Lead-lined to hold leaded glass.

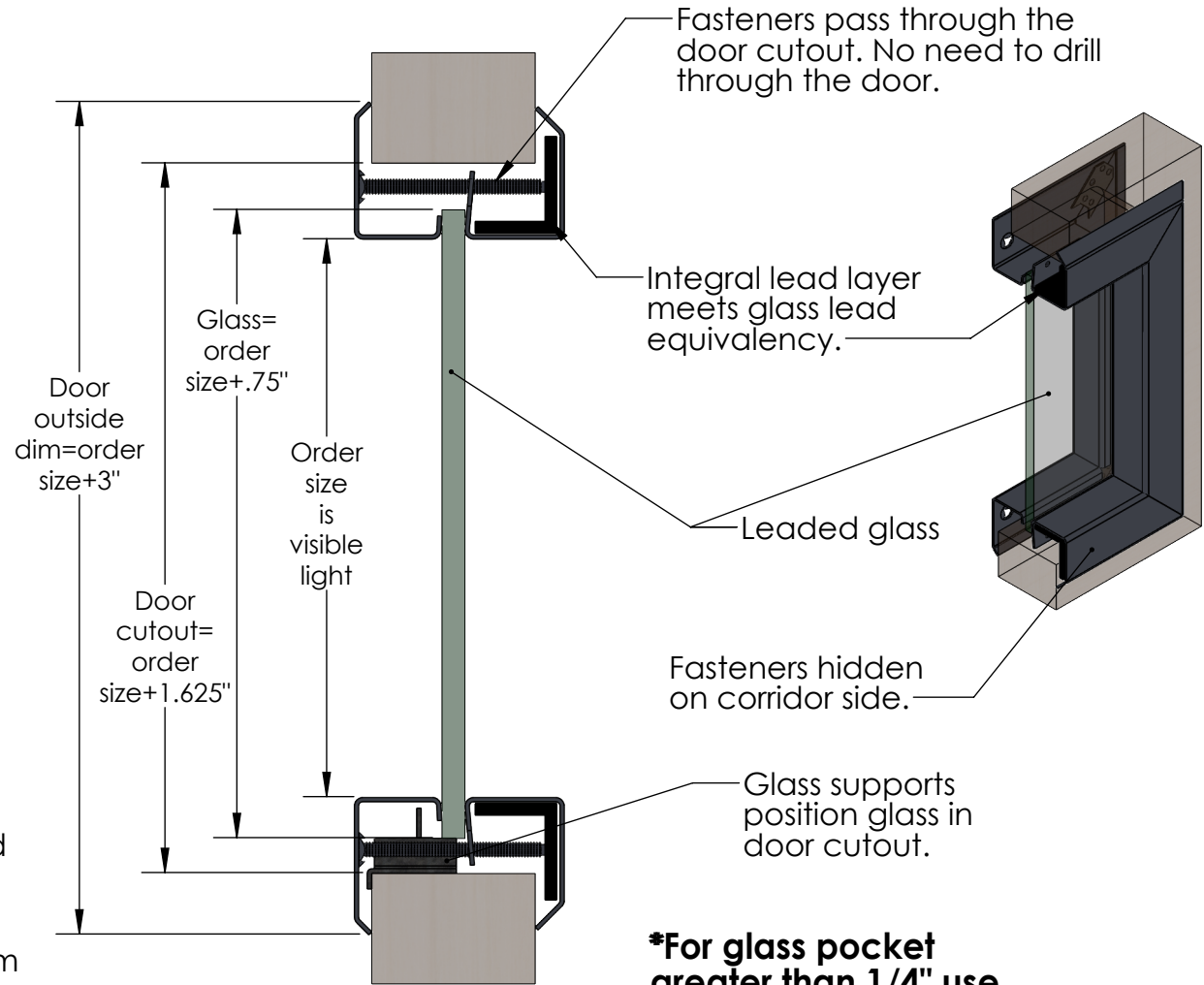


This frame may be installed with most fire-rated glazing material that has approval for conformance to ANSI/UL 10B, ANSI/UL 10C, NFPA 80, NFPA 252, or CAN/ULC S104. Contact AMS for frames intended for use with resistive glass.



## Materials & Finish

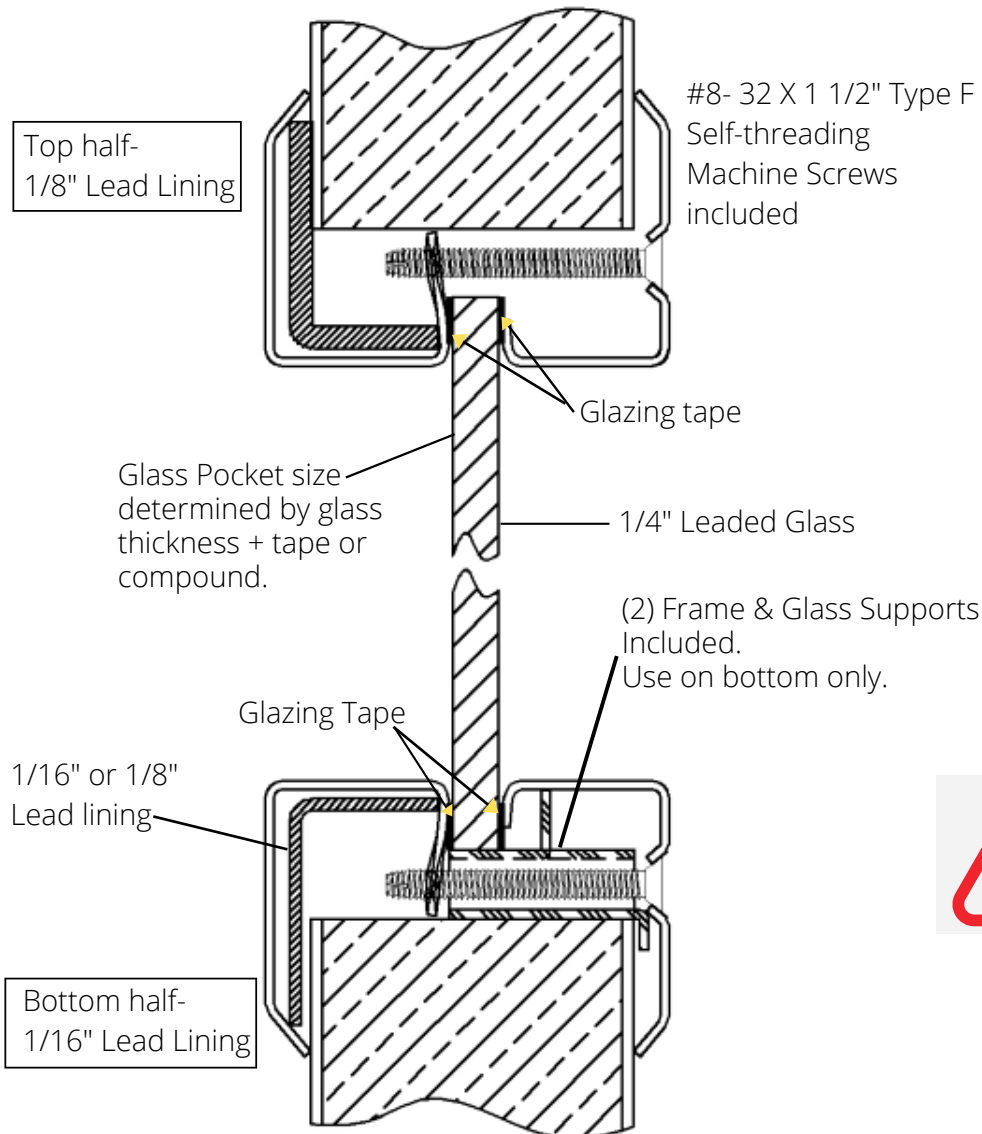
18 ga mild steel standard. Galvanized or stainless steel available. Extremely durable powder coating. Beige, gray & dark bronze standard. RAL & custom colors available.  
Real wood veneer.




**\*For glass pocket greater than 1/4" use Model 105M-L2.**

# 115-L2 Installation Instructions

FOR LEAD X-RAY RADIATION SHIELDING DOORS



1. Make door cutout 1 5/8" larger than order size. (Visible Glass Dimensions)
2. Place 2 modified Frame & Glass Supports on bottom of cutout equally spaced from sides.
3. Set unleaded half of frame in place with inside lip of frame over tabs of Frame Supports.
4. Install leaded glass so that glass sits on modified Frame & Glass Supports. We recommend glazing tape with all glass.
5. Set leaded half of unit in place.
6. Install screws. (See  below)

Order Size=Inside Dimension of Frame  
Cutout Size=Order Size + 1 5/8"  
Lead Glass Size=Order Size + 3/4"



**Do NOT over-tighten screws.  
Over-tightening or uneven tightening  
can cause glass breakage.**