

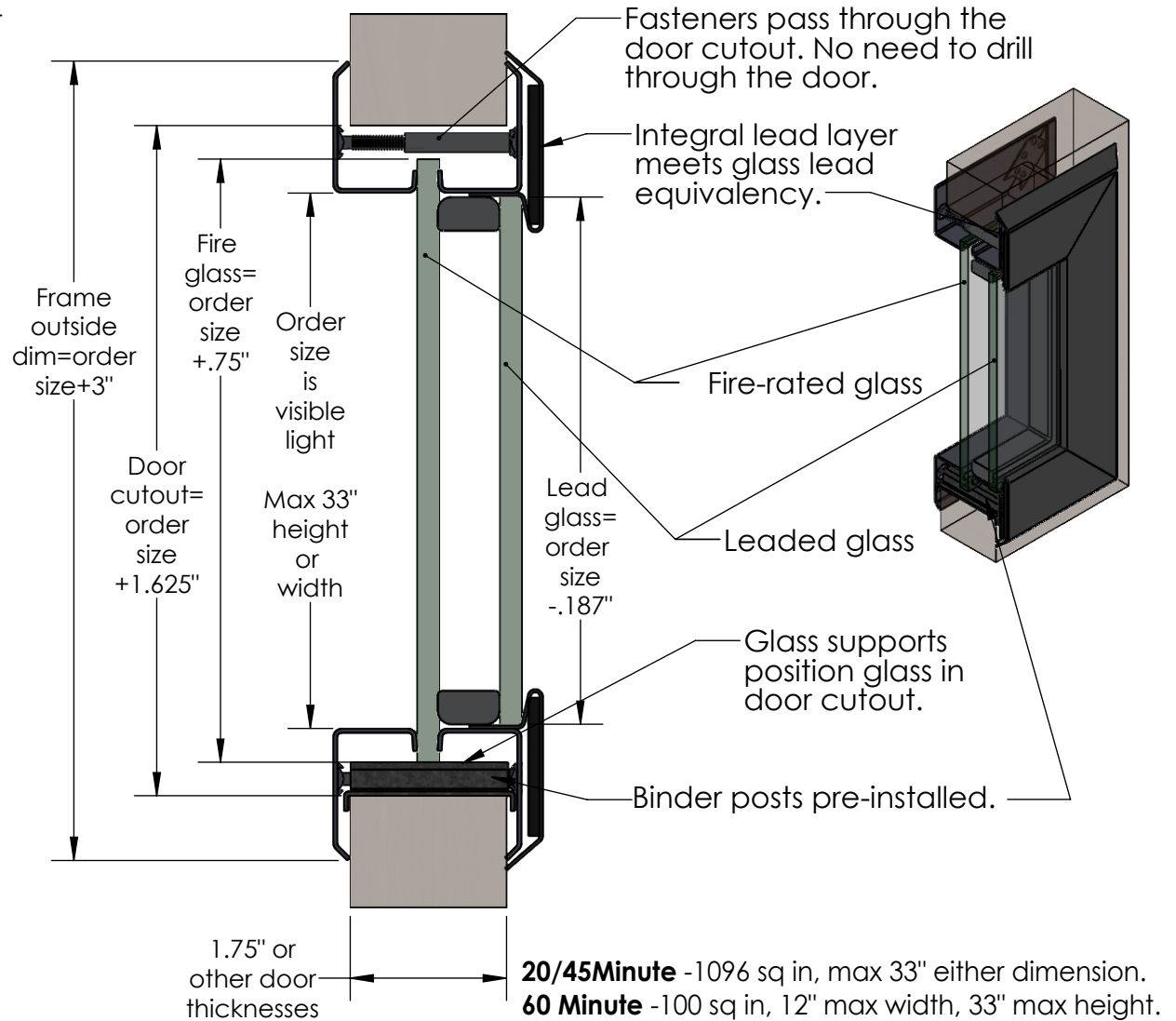
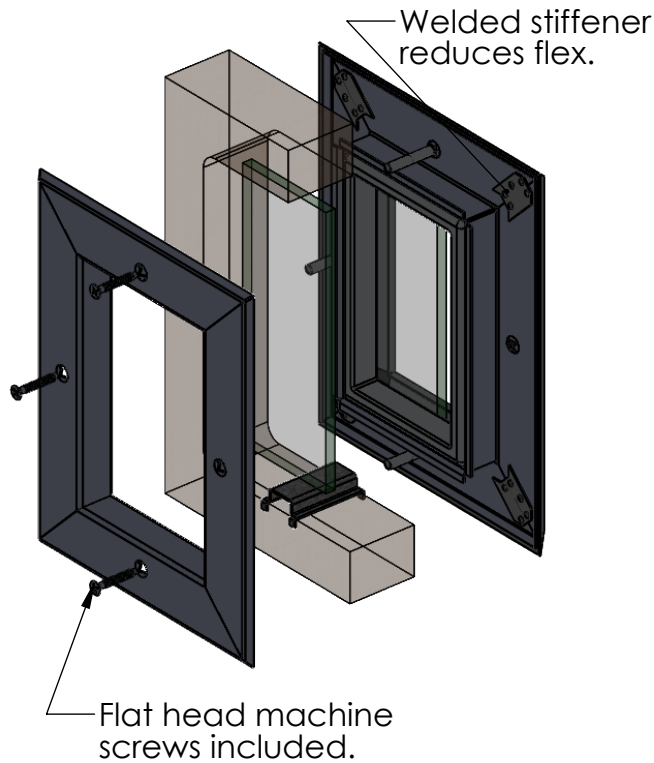
Model 115-L1

Fire-rated.

Lead-lined to hold fire-rated glass & leaded glass.



This frame may be installed with most fire-rated glazing material that has approval for conformance to ANSI/UL 10B, ANSI/UL 10C, NFPA 80, NFPA 252, or CAN/ULC S104. Contact AMS for frames intended for use with resistive glass.



Materials & Finish

18 ga mild steel standard.
 Galvanized or stainless steel available.
 Extremely durable powder coating.
 Beige, gray & dark bronze standard.
 RAL & custom colors available.
 Real wood veneer.