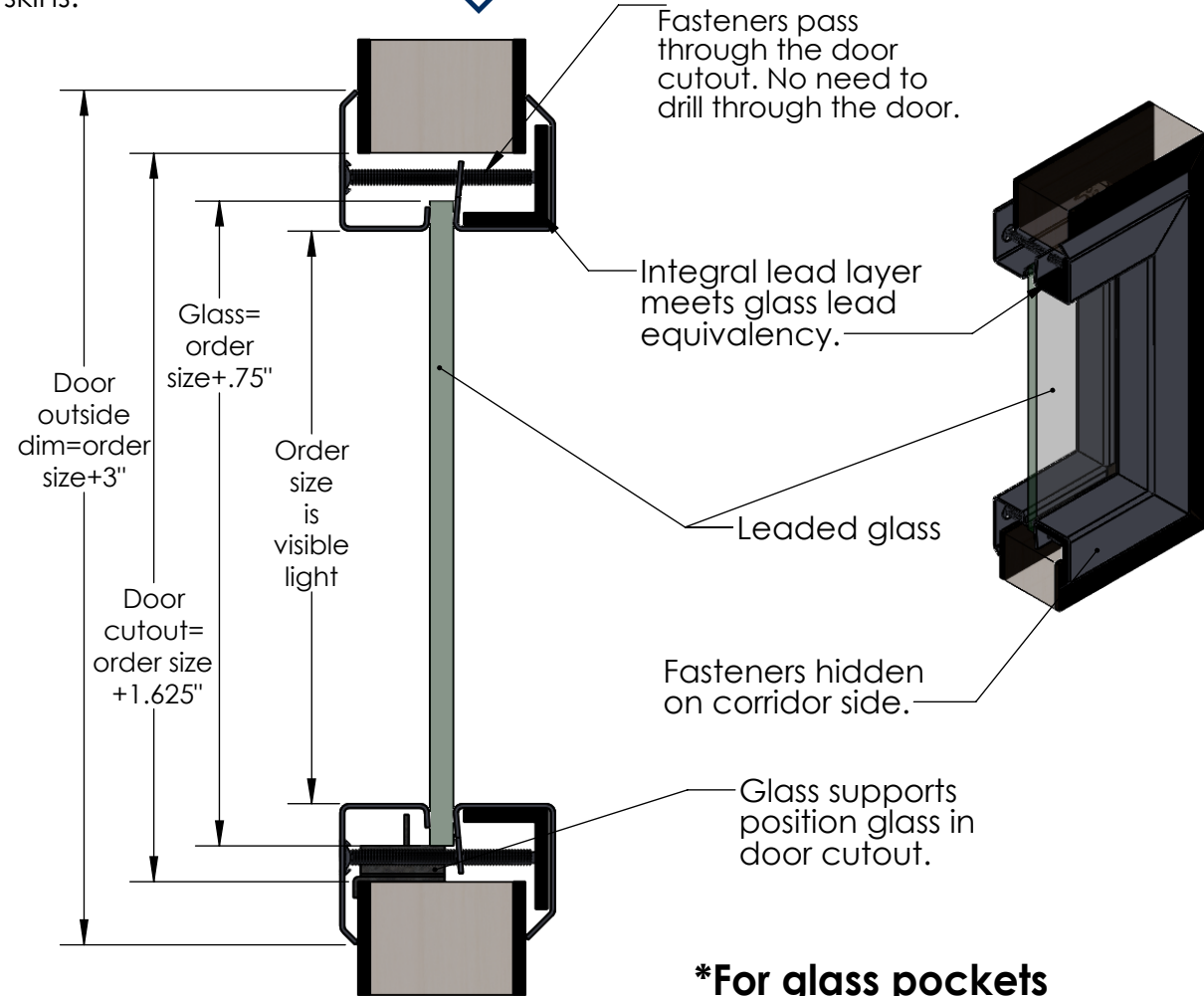
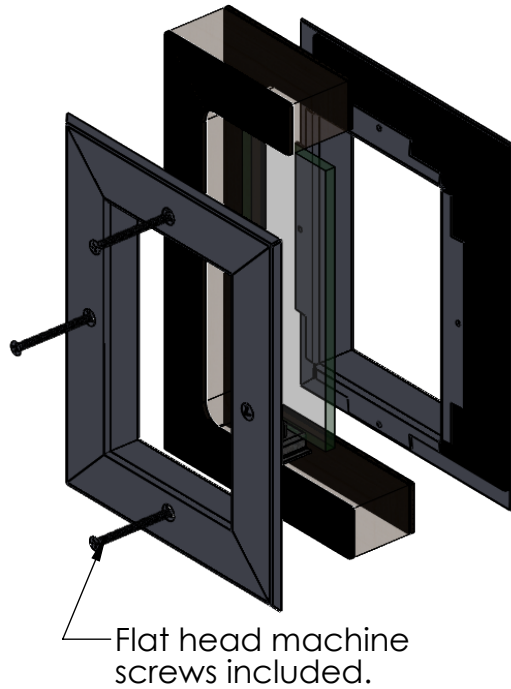


# Model 115-L2

- Fire-rated when the glass meets appropriate fire ratings.
- Lead-lined to hold leaded glass.
- Use in doors with lead under the door skins.



This frame may be installed with most fire-rated glazing material that has approval for conformance to ANSI/UL 10B, ANSI/UL 10C, NFPA 80, NFPA 252, or CAN/ULC S104. Contact AMS for frames intended for use with resistive glass.



## Materials & Finish

- 18 ga mild steel standard.
- Galvanized or stainless steel available.
- Extremely durable powder coating.
- Beige, gray & dark bronze standard.
- RAL & custom colors available.
- Real wood veneer.

**\*For glass pockets greater than 1/4" use Model 105M-L2.**