

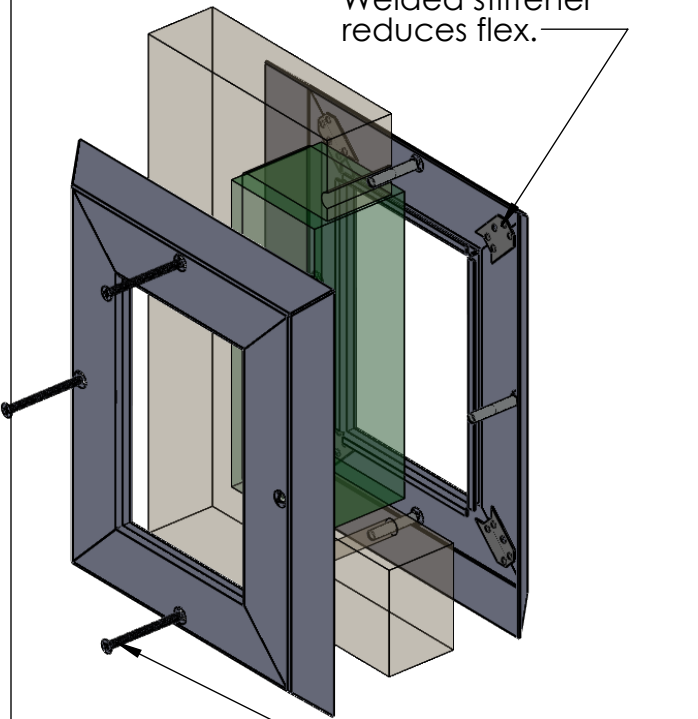
Model 120A

- Fire-rated frame for thick glass.
- Pocket greater than 2" to 2.5" in 1.75" door.
- Fasteners go through door, glass nearly fills the cutout.



This frame may be installed with most fire-rated glazing material that has approval for conformance to ANSI/UL 10B, ANSI/UL 10C, NFPA 80, NFPA 252, or CAN/ULC S104. Contact AMS for frames intended for use with resistive glass.

Welded stiffener reduces flex.



Flat head machine screws included.

Materials & Finish

- 18 ga mild steel standard.
- Galvanized or stainless steel available.
- Extremely durable powder coating.
- Beige, gray & dark bronze standard.
- RAL & custom colors available.
- Real wood veneer.

