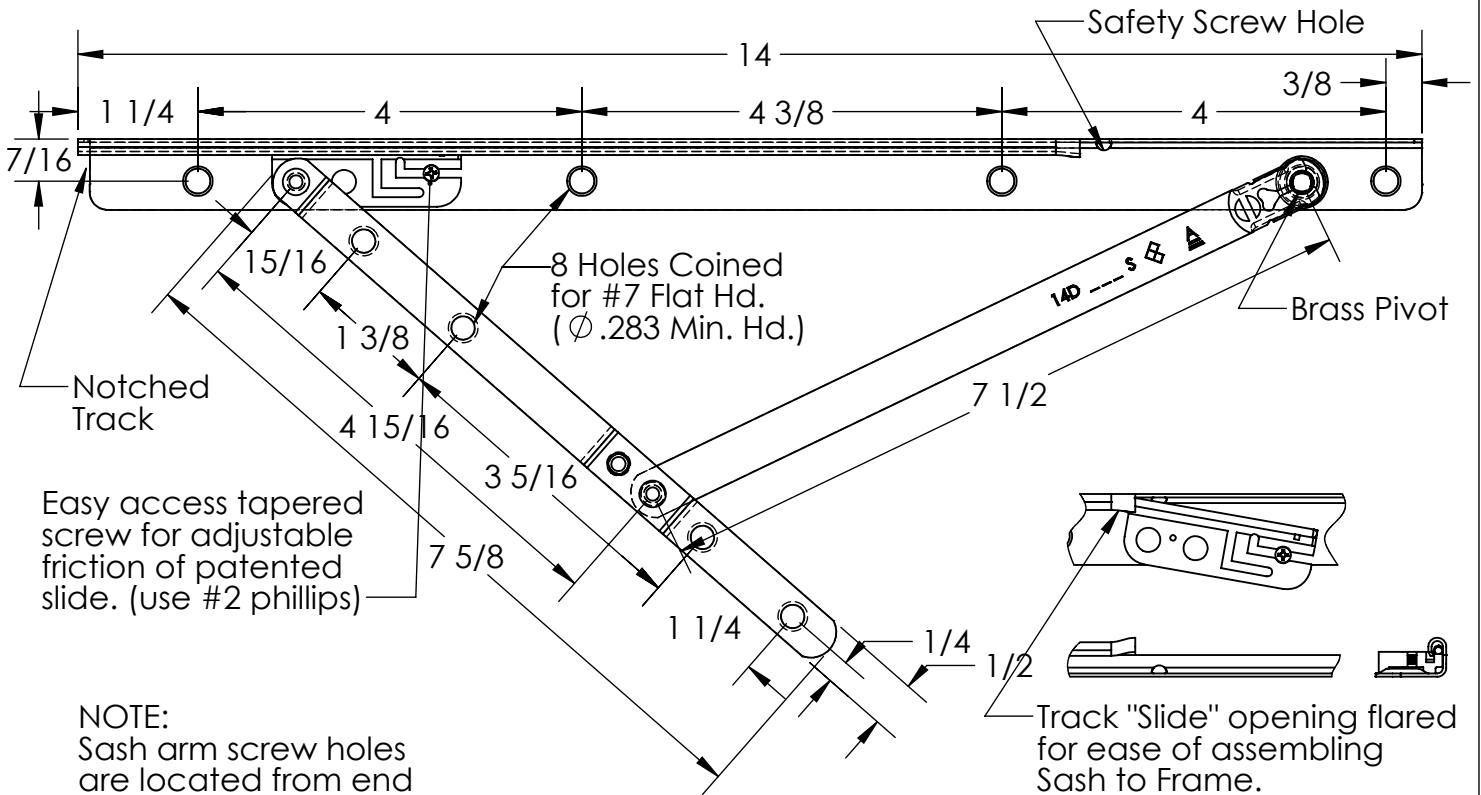


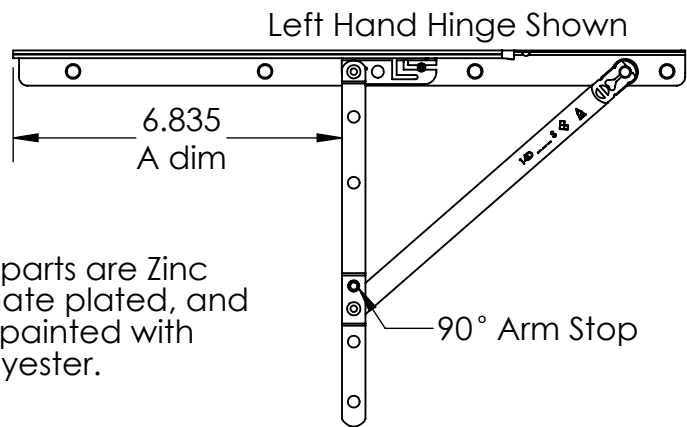
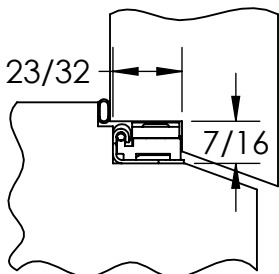
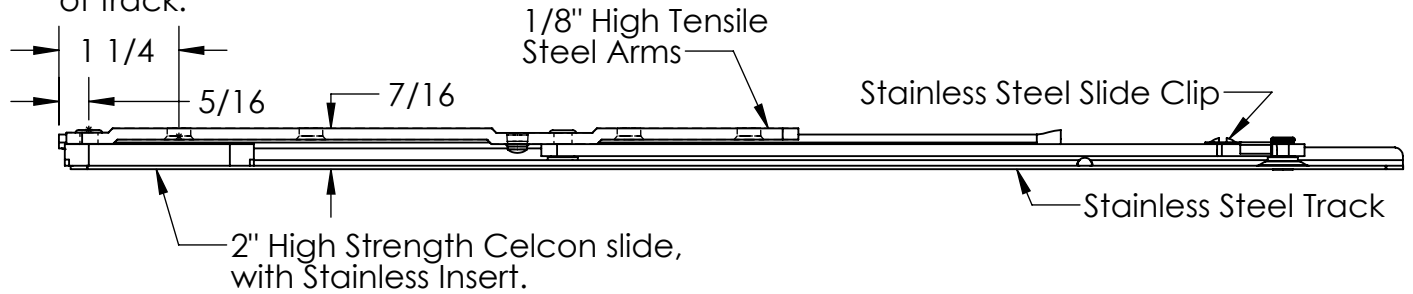
4314D 4300 SERIES

PATENTED

14" AWNING HINGE



NOTE:
Sash arm screw holes are located from end of track.



All Steel parts are Zinc Dichromate plated, and Powder painted with TGIC Polyester.

| PART NUMBERS | |
|-----------------|-------------|
| TRACK | 3314B-L/R13 |
| ARM ASSEMBLY | 4014D-L/R |
| ASSEMBLED HINGE | 4314D-L/R |



ALL METAL STAMPING, INC.

411 W. Spruce St. PO Box 485 Abbotsford, WI 54405
www.AllMetalStamping.com

Phone (715) 223-6324
Fax (715) 223-3352