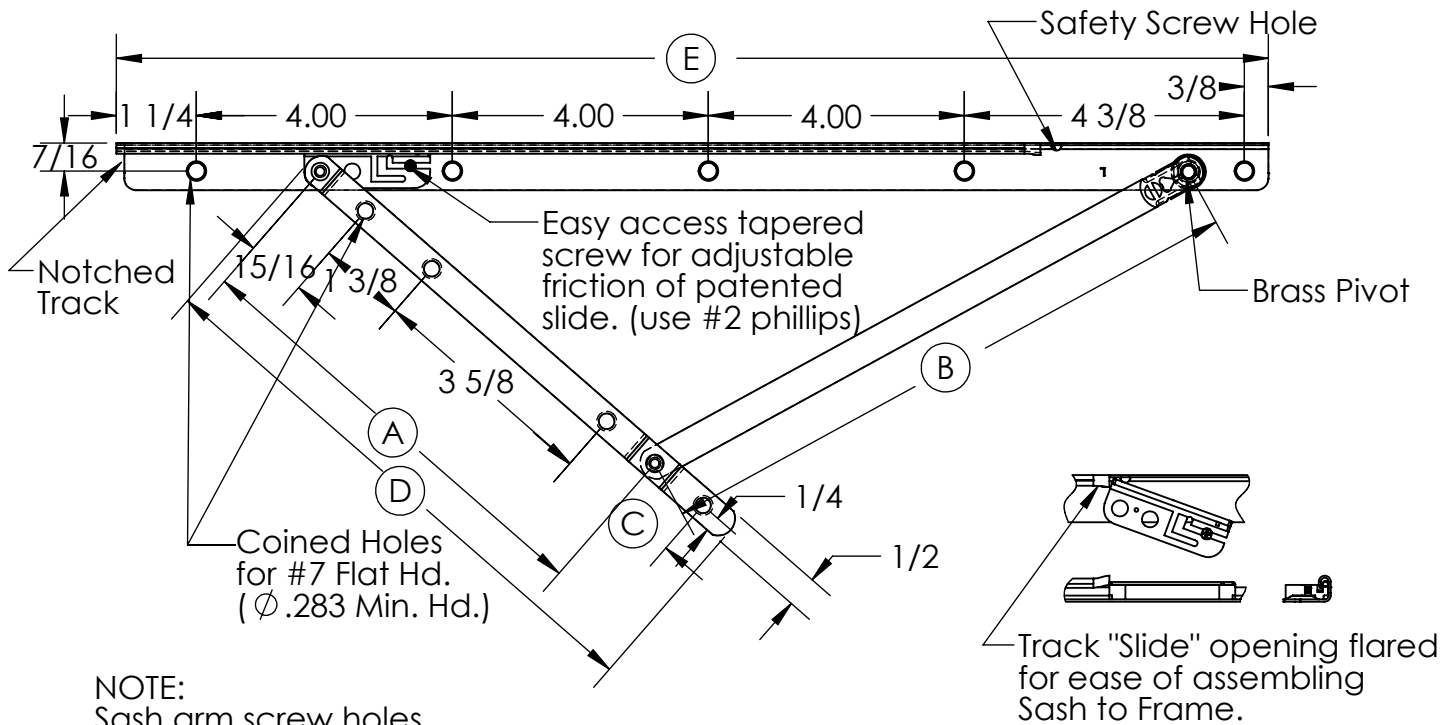
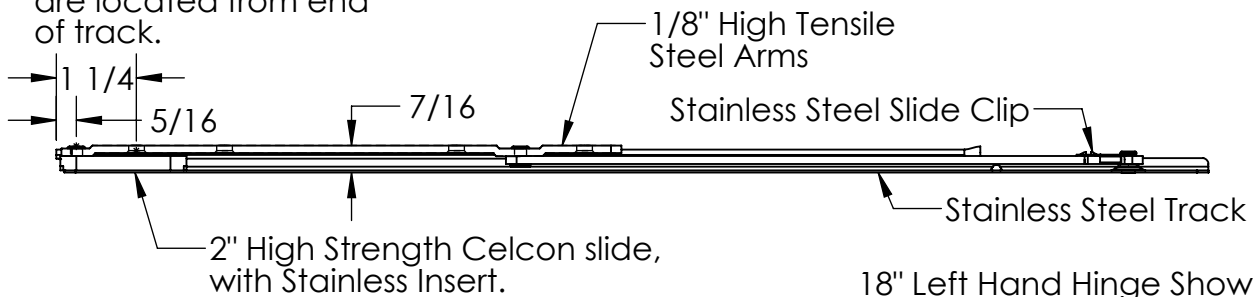


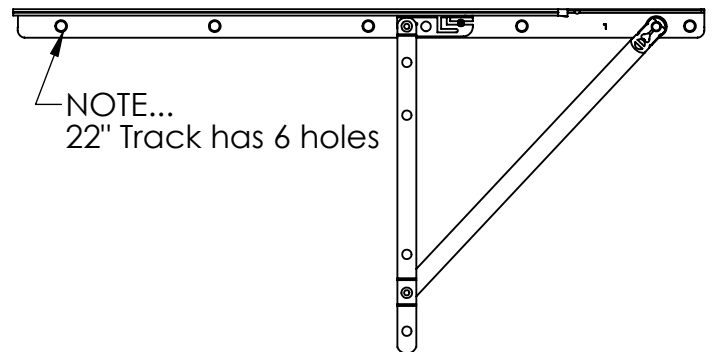
# 4300 SERIES 18" & 22" AWNING HINGE



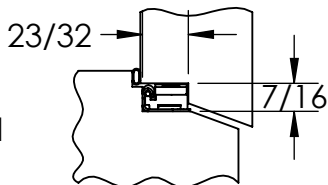
NOTE:  
Sash arm screw holes are located from end of track.



18" Left Hand Hinge Shown



All Steel parts are Zinc Dichromate plated, and Powder painted with TGIC Polyester.



STYLE DESCRIPTION	ASSEMBLED UNITS	NON-ASSEMBLED		DIMENSIONS				
		ARMS	TRACK	A	B	C	D	E
18" AWNING	4318D L/R	4018D L/R	3318B-L/R13	6.938	9.500	2.000	8.750	18.000
22" AWNING	4322D L/R	4022D L/R	3322B-L/R13	8.938	11.500	4.000	10.750	22.000



## ALL METAL STAMPING, INC.

411 W. Spruce St. PO Box 485 Abbotsford, WI 54405  
www.AllMetalStamping.com

Phone (715) 223-6324  
Fax (715) 223-3352