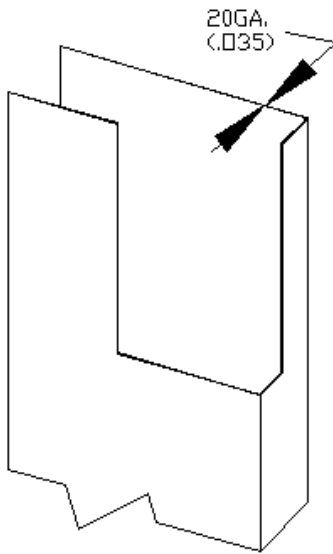




# ALL METAL STAMPING, INC.

411 WEST SPRUCE, P.O. BOX 485, ABBOTSFORD, WI. 54405  
PHONE: 715-223-6324 FAX: 715-223-3352  
EMAIL: AllMetal@AllMetalStamping.com

## When using 5" Channels



1. 5" Channels are made from 20 GA. (.035) Galvanized Steel. When sizing your doors for the opening you must take the thickness of the channel into consideration. The channel thickness at the stile edge is approximately 1/32".

2. When we machine the channels for the Device and Trim punch outs the backset measurements are computed from the outside edge of the channel to maintain the proper alignment with the strike locations on the frame. (**See Attachment A**). Therefore when the door is machined for the device the backset calculation must be adjusted approximately 1/32" to achieve alignment with the channel. If you desire the backset be computed from the lock stile edge of the door please note this on the 5" channel templates you submit with your order. We also have sets of templates that reflect the backsets when they are calculated from the door edge. If you machine your doors this way please request this special packet of templates.

**CONTINUED ON NEXT PAGE**

3. The devices listed below have a 1-1/4" X 8" Adjustment Port in the lock stile edge of the door. We can provide Tabs welded to the channels for attachment of the Cover Plate upon installation. For the Tabs to seat properly against the door it must be machined differently than specified on the Manufacturer's Device Template (See below). If you have sufficient stile material to allow attachment of the Cover Plate directly to your door you can mark the appropriate template for NO Tabs. If you selected to have Tabs included you must alter your machining procedure as stated below. **Before you modify your machining procedure check with your UL/WHI Procedure to make sure the adjustments will not nullify your fire rating.**

DORMA (F)4100, or (F)6100 & DORMA (F)5100

Von Duprin 9847WDC(F)/9947WDC(F)

Von Duprin 9849CVCS/9949CVCS

Von Duprin 5547WDC(F)

Precision 1700/FL-1700

Sargent PP8600 & PR8600 (Lock & Strike Openings)

Precision FL2700/2700

► The machining for the Cover Plate is 1-1/4" X 8" X 1/8" deep. To allow for the Tabs the machining must be changed to 1-3/4" X 11" X 3/16" deep. (See Attachment B) The VD 5547WDC(F) has an option which uses a 12" Plate, if using this option with Tabs you need to machine for Tabs as follows: 1-3/4" X 15" X 3/16" deep.

4. Top (and Bottom) Bracket(s) can be welded in the channels listed below to allow for attachment of the CVR's. Many Door Manufacturers have sufficient top (and bottom) rail to allow attachment without the bracket(s). You must specify on the templates whether to include or exclude the bracket(s). Remember, if you select to have the bracket(s) sufficient material must be removed from the door to allow room for the bracket(s). (See Attachment C) The 5" Channels affected are:

#251 Von Duprin 9847/9947 Device

#251A Von Duprin 9849/9949 Device

#251B Von Duprin 9850/9950 Device

#252 Von Duprin 5547 Device

#253 Von Duprin 3347/3547 Device

#254 DORMA/American 4100/6100 Device

#255 Sargent Device 8600 Device

#257 Yale 2160/7160 Devices

#258 Monarch (F)17/24/18/25/XX-C Devices

#261 Corbin Russwin 5860 Device

#262 Precision 1700/FL-1700 Device

#263 Sargent PP8600 & PR8600 Device

#264 DORMA 9100 Device

#264A DORMA 9600 Device

#265 Precision FL 2700/2700 Device

#266 DORMA 5100 Device

#267 Von Duprin 3347A/3547A Device

#267A Von Duprin 3350A/3550A Device

#268 Assa Abloy WD7000/MP9800 Device

#270 Stanley QED 100 Device

#271 Hager 4500 Device

#272 Detex 7000 Series Devices

#273 Cal-Royal W77/W98CVR Device

#274 Lawrence LH8850/8650 Device

#275 Schlage LM9200 Device

#276 PDQ 6200CV(F) Device

Please find a complete set of templates included. Please destroy all older versions and use these new templates ONLY. Keep this set as your originals and make copies as necessary. When you have determined whether your Company needs the TABS and BRACKETS mark your original templates before they are distributed to the Order Writers. This will ensure your channels will be manufactured to meet your preferences.

If we can be of any assistance please contact us at your convenience.

Thanks,  
Thomas E. Waggoner  
Controller

Template Modification Date: 2/11/20

Document Modified 1/15/20

# All Metal Stamping, Inc. Abbotsford, WI. 54405

## Chronology of Changes

June 8, 2016

- We have added Template #277.5 for the Corbin Russwin FE6800 Multi-Point Lock.

May 12, 2016

- We have added Template #276 for the PDQ 6200CV(F) Concealed Vertical Rod Device.

April 26, 2016

- We have added Template #275 for the Schlage LM9200 Vertical Locking Device.

January 21, 2015

- We have added Template #251B for the Von Duprin 9850/9950 Device and we added Template #267A for the Von Duprin 3350A/3550A Device. We have also included Template #264A for the DORMA 9600 Device.

February 18, 2014

- We have added Templates #269 for the Monarch/Falcon Centerslide Device. Template #270 for the Stanley QED100 (formally Black & Decker). Template #271 for the Hager 4500 Series. Template #273 for the Cal-Royal W77CVR, and lastly #274 for the Lawrence L8850/8650.

November 3, 2008

- The first channels produced were made as 2 "L" shaped pieces which were then welded together using a 16 GA. Strip to make a one piece channel. A tool was developed in 1991 to form the channels in one piece. Since applying the strip was wasteful in both material and manpower and added almost nothing but weight to the channels a decision was made to drop the strip effective for all orders received on or after 11/3/2008.

December 18, 2007- updated 5/12/16

- Model #268 for the Sargent Series WD 7000 Concealed Vertical Lock Devices has been added to the template packet. There are 2 templates, one for LHR/RHR and the other for LH/RH devices. The template includes options for the 3 approved Trims and includes options for Top and /or Bottom Latch Brackets.

June 9, 2004

- Model #266 for the DORMA Series 5100 Concealed Vertical Rod Devices has been added to the template packet. The template includes options for Top and/or Bottom Latch Brackets and Cover Plate Tabs in the stile adjustment port.
- Model #267 for the Von Duprin Series 3347A/3547A Concealed Vertical Rod Devices has been added to the template packet as well. The template includes an option for a single Top Latch Bracket.

August 15, 2003

- Model #258 for the Monarch Series (F) 17/18-C Concealed Vertical Rod Devices. Our channels are made for compatibility to the Monarch devices shown on Monarch Template No.'s W-1300 & W-1302 ONLY. There is a ¼" difference in the location of the CenterLine of Device between the W-1300 Template and the W-1302 Template therefore it is imperative that we know which device template you are using. We have revised our templates to include a selection box for the device template you are using. We have added Model #265 for the Precision FL2700/2700 Series CVR's. This is a new series introduced by Precision. The template includes an option for Top Latch Brackets and Cover Plate Tabs in the stile adjustment port.

February 19, 2003

- We have modified the templates for the Monarch Series (F) 17/18-C Concealed Vertical Rod Devices, our Model # 258 to include an option to select Top and Bottom Latch Brackets. We have developed internal brackets, similar to those available on many other channels styles. This feature allows the installer to attach the rod brackets directly to our channel brackets. There are 2 top brackets and 1 bottom bracket installed if selected. Please be advised that if you select the bracket option that sufficient material must be removed from the top and bottom of the door to allow the channel to slide on over the door and allow room for the brackets. We recommend that the top and bottom of the door be machined 7/16" deep to allow room for the brackets. If this option is selected we will not install the Bracket Holes which had been standard to this time. If no selection is made we will assume NONE was selected.

October 1, 2002

- The outside trim on the Von Duprin templates (#251, #252, & #253) have been modified to differentiate the 376L (Lever Trim) from the 376T (Thumbturn Trim). We have changed the options to allow the Customer to request we machine the channels for a 4" X 1-1/4" Plate rather than the former Access Hole for which Von Duprin does not provide a cover plate. The Customer can obtain the needed Cover Plate directly from Von Duprin. Their Part No. is #94-387-finish. The new template allows the Customer to choose Cover Plate Tabs for attachment of the Plate. When the Von Duprin Device #5547 (#252) is selected with the 376L (Lever Trim) Von Duprin provides a 12" X 1-1/4" Plate to cover both the Access Hole and the Adjustment Port. We can machine the channels for this plate and provide Cover Plate Tabs if requested.
- The templates for the #255 (Sargent 8600), #257 (Yale 7160), #261 (Corbin Russwin 5860), and the #264 (DORMA 9100) have been modified to allow the Customer to select NO Latch Brackets, Top Brackets ONLY, or Top & Bottom Brackets. The templates for the #263 (Sargent PP & PR 8600) have been modified to allow the Customer to select Top Latch Brackets and Cover Plate Tabs. These channels now receive 2 Brackets (See Attachment C in the main Packet).

See reverse side for painting instructions

## **Installation Instructions**

### **5" Channels for Concealed Vertical Rod Devices (CVR)**

(See package label for Model No. and CVR Series)

1. Install the Concealed Vertical Rod Device into the door per the Manufacturer's Installation Instructions. If the channels have top and/or bottom brackets the top and/or bottom rods will have to be installed after the channel is installed.
2. Match each channel to a door making sure door bevel and channel bevel are the same. Also visually check alignment of the machined cutouts in the channel against the machining detail on the door. They should be similar.
3. Slide a channel over the edge of the matching door. The channels are designed to fit snugly. Be careful NOT to mar or damage the finish of the channel.

#### THINGS TO WATCH FOR:

- Does the channel have top and/or bottom brackets welded inside the channel? These brackets are designed to allow attachment of the rod brackets on the CVR. The door must be machined to allow room for these brackets in the top and/or bottom of the door. If there is interference it will be necessary to router out clearance in the top and/or bottom of the door.
  - Does the channel have a 1-1/4" X 8" cutout in the Lock Edge that has screw tabs welded into the cutout?  
Make sure the channel slides all the way back on the door. If the screw tab bracket is hitting the door and NOT allowing the channel to seat snugly against the edge of the door, it will be necessary to router out clearance where the screw tabs are hitting the door.
  - Check alignment of the cutouts in the channel against the machine openings in the door. Make sure the device will function properly.
4. Some CVR Instructions require installation holes which are to be drilled upon installation. Install these holes in both the channel and door as required.
  5. Mark the location for the 4 Binder Posts & Screws. Slide channel clear and drill a minimum of 3/8" holes where marked. A 3/8" hole is necessary to allow the coin of the hole in the channel to seat itself in the door. Failure to do this will cause the channel surface to appear wavy. Slide channel back in place and secure the Binder Posts & Screws.
  6. Complete installation of the Concealed Vertical Rod Device per the Manufacturer's Installation Instructions.

## Top Coating Instructions

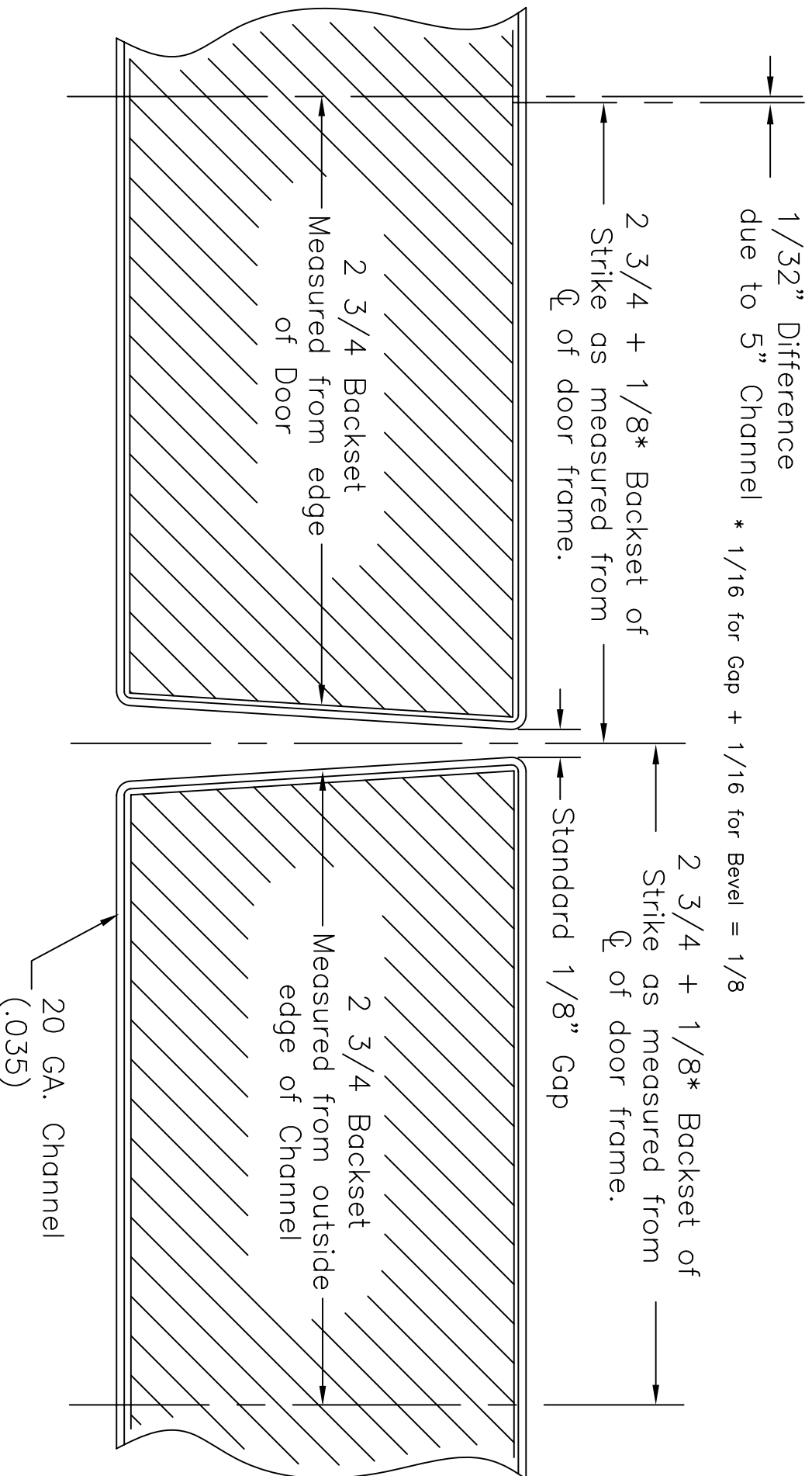
**STANARD FINISH:** Beige polyester powder coating or Gray polyester powder coating. These coatings are tough, corrosion resistant and provide a very durable surface. Special colors are lacquer, industrial enamel, or powder coatings dependent on color.

**TOP COATING FIRE DOOR HARDWARE:** Many top coats have good compatibility with powder coatings. Exceptions are some enamels, many latex, and water based paints. It is necessary that the surface be thoroughly sanded prior to the application of **any** top coat. Make sure the surface is clean and dry. To ensure compatibility always **test paint a small area** on a non-visible portion of the product and check for proper adhesion **before** proceeding.

**Final finish of the product is the responsibility of the purchaser. We do not warrant the suitability of the product for any particular application.**

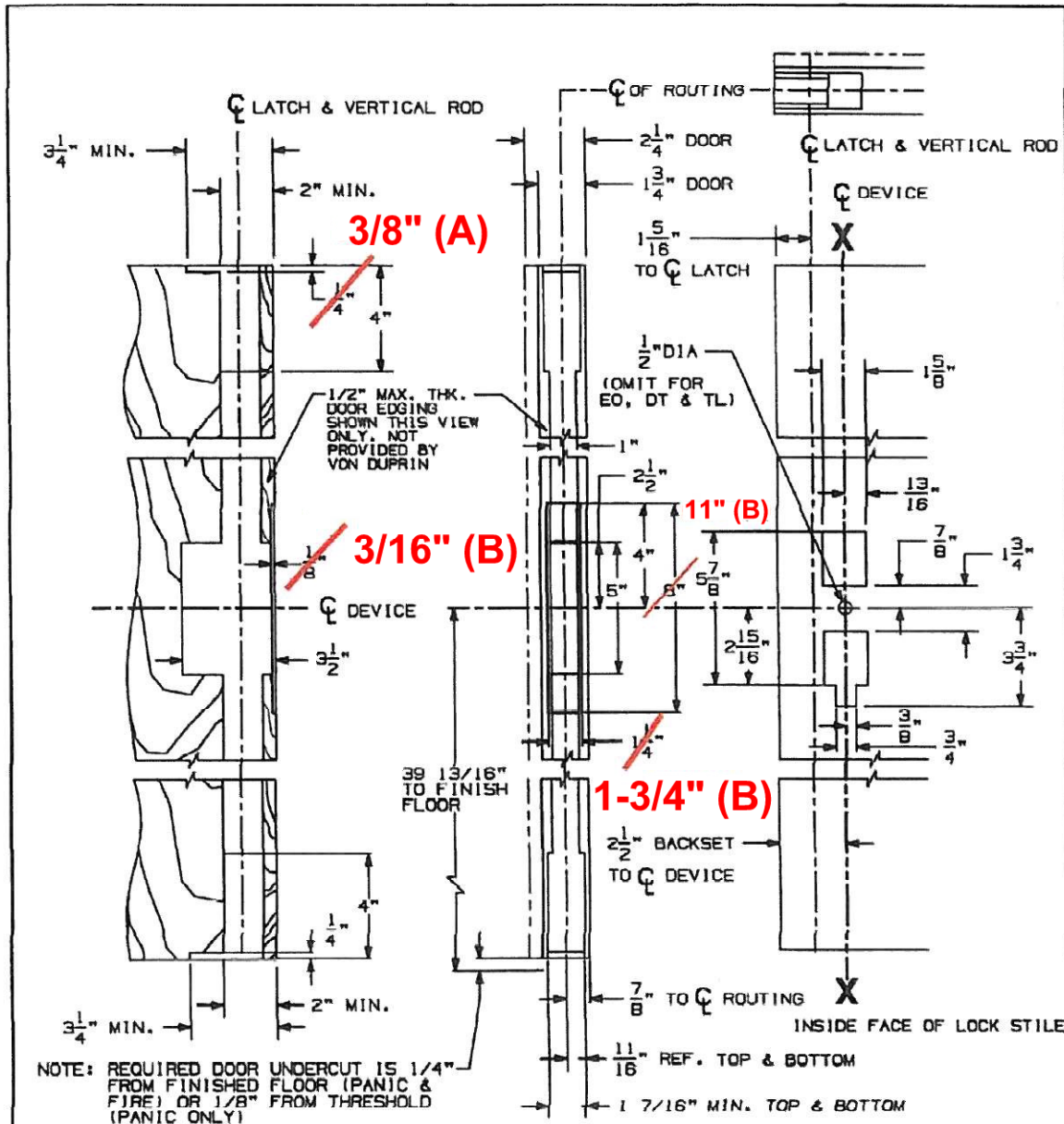
**LIMITED WARRANTY:** ALL METAL STAMPING, INC. WARRANTS ALL DOOR HARDWARE TO BE FREE FROM DEFECTS IN MATERIALS AND WORKMANSHIP. Purchaser assumes responsibility to verify and determine that color, finish, and quality of materials will meet required specifications. No claim shall be allowed unless Purchaser gives notice to manufacturer within 30 days from date materials are received. If color match, finish quality, or glass and cutout fit are not satisfactory, **DO NOT INSTALL. UPON INSTALLATION THIS WARRANTY ENDS. Manufacturer's only obligation shall be replacement, refinishing, or refund of the original purchase price, at our option. THESE ARE THE EXCLUSIVE REMEDIES PROVIDED, AND ALL METAL STAMPING, INC. SHALL NOT BE LIABLE FOR ANY OTHER DAMAGES, INCLUDING, ANY OTHER DIRECT, INDIRECT, INCIDENTAL OR CONSEQUENTIAL DAMAGES.** This warranty does not apply to door hardware which has been abused, altered, improperly installed, used with incompatible or inappropriate components (EX. Oversized Glass), exposed to corrosive environments, or environments for which the product is not intended. No material shall be returned without prior authorization. This warranty extends only to the original purchaser who is buying the hardware from All Metal Stamping, Inc. for purposes of resale or use in the ordinary course of their business.

# ATTACHMENT A



## ATTACHMENT B

- (A) to allow room for the top bracket the top of the door must be machined  $\frac{3}{8}$ " deep rather than  $\frac{1}{4}$ " as specified on the template.
- (B) to allow room for the cover plate tabs the door must be machined to the dimensions shown rather than those specified on the template.



**NOTES:**

1. MOUNTING HOLES TO BE PREPARED AT INSTALLATION ON DOOR.
2. TRIM OR CONTROL APPLICATION MAY REQUIRE ADDITIONAL PREPARATION, SEE TRIM OR CONTROL DIRECTION SHEET.

LHR APPLICATION SHOWN,  
RHR APPLICATION OPPOSITE

**VON DUPRIN**  
STD & CX98/9917WDC SERIES DEVICE  
(WOOD DOOR)

**INGERSOLL-RAND** ®  
ARCHITECTURAL HARDWARE

NOTE:

TEMPLATE NUMBER:

W10054\_B

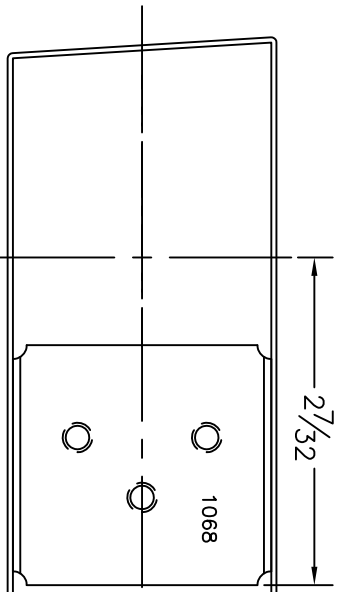
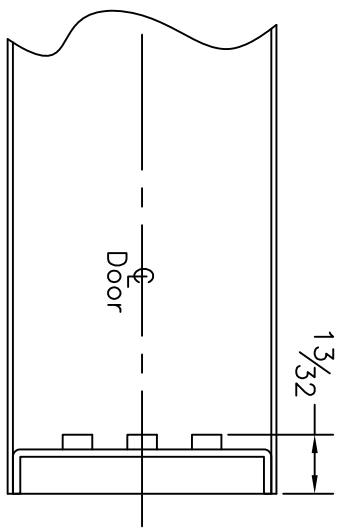
DATE:

10-13-98

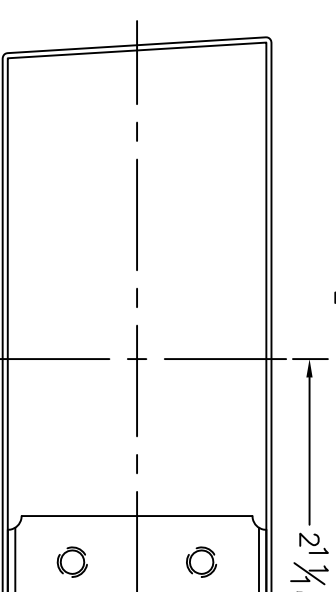
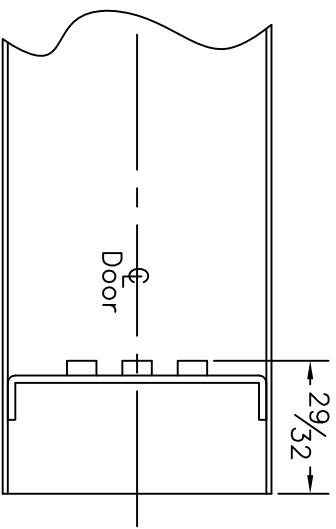


# ATTACHMENT C 5" CHANNEL BRACKETS

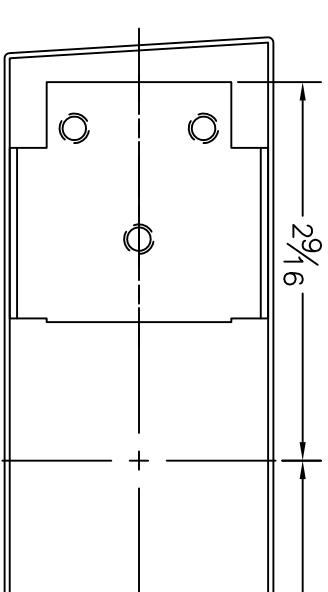
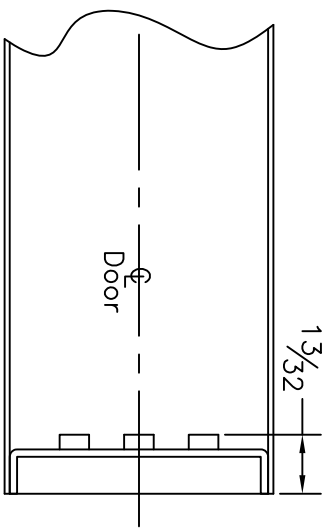
Below are views of how the Top/Bottom Brackets are mounted into the 5" Channels.



Von Duprin 9847/9947  
 Von Duprin 9849/9949  
 Von Duprin 3347/3547  
 Von Duprin 3347A/3547A  
 Detex F70/F71



Von Duprin 5547



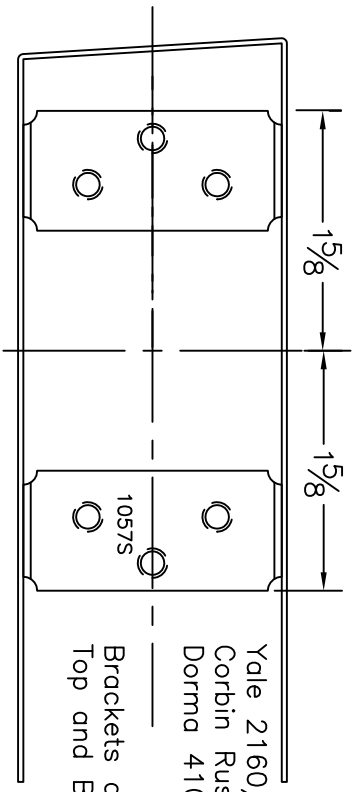
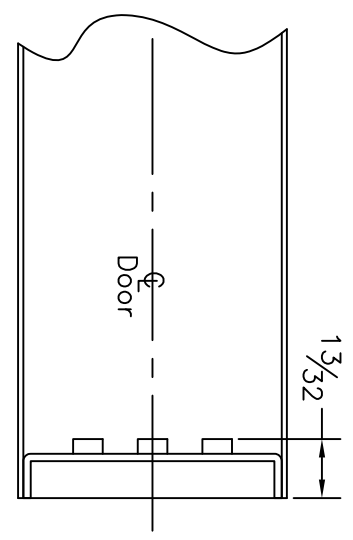
Monarch (F)17/24/18/25/XX-C

Location of brackets for head (top) of door.  
 This bracket also is mounted to bottom of door.  
 Note: Bracket extends beyond the end of the channel.

# ATTACHMENT C

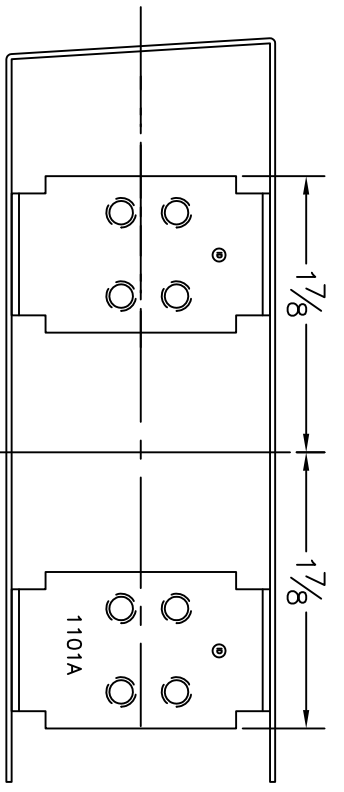
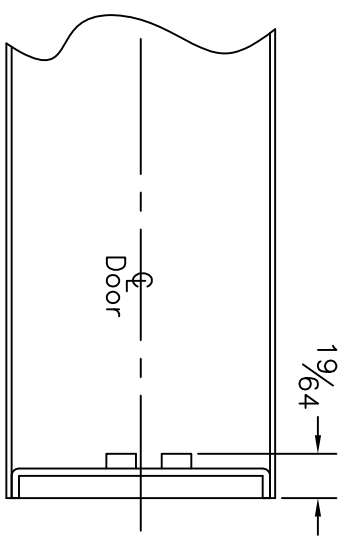
## 5" CHANNEL BRACKETS

Below are views of how the Top Brackets are mounted into the 5" Channels.



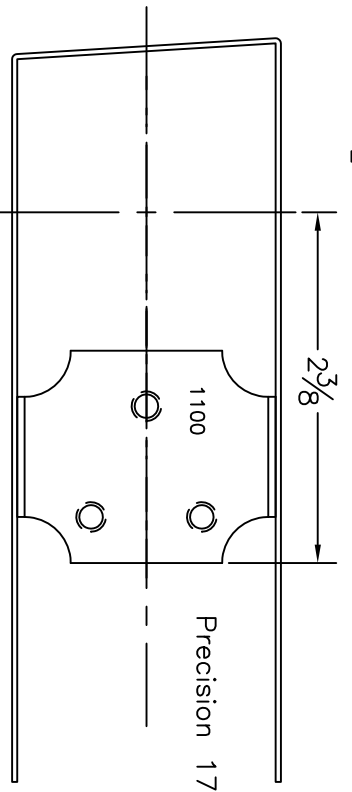
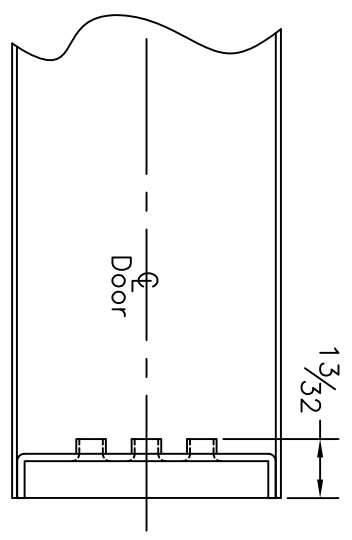
Yale 2160/7160  
 Corbin Russin 5860  
 Dorma 4100/5100/6100/9100/9600

Brackets available for both  
 Top and Bottom of Door.



Sargent 8600  
 Sargent PP & PR8600  
 Assa Abloy WD7000/MP9800  
 Cal-Royal W77CVR/W98CVR

**Note: Bottom Brackets are mounted in a slightly different location to match Bottom Bracket.**

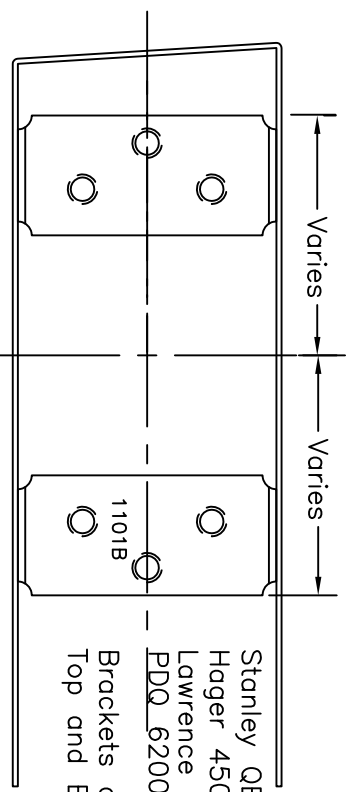
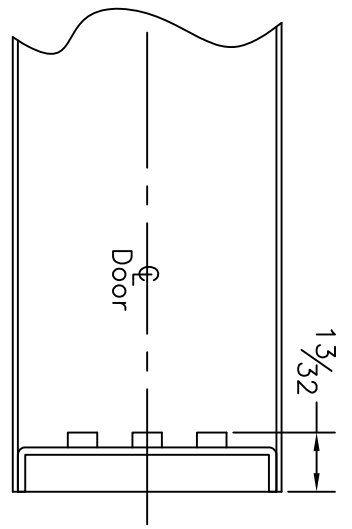


Precision 1700/2700

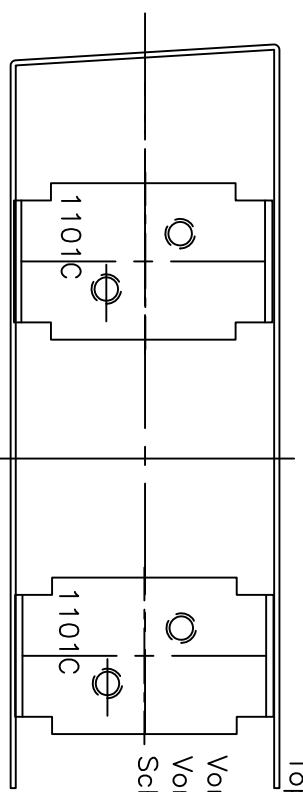
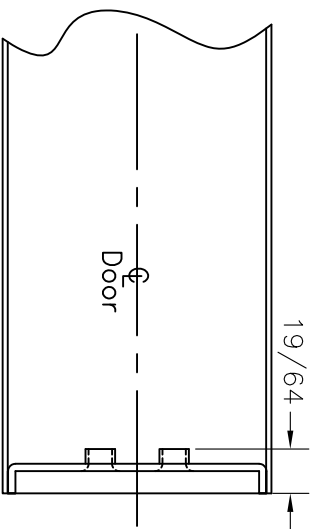
# ATTACHMENT C 5" CHANNEL BRACKETS

Below are views of how the Top Brackets are mounted into the 5" Channels.

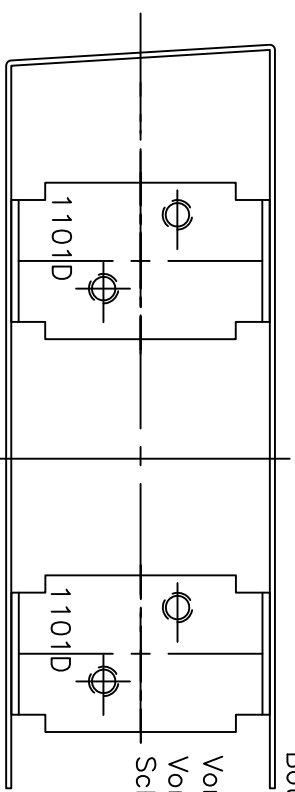
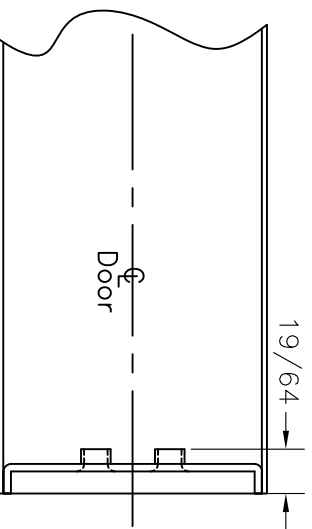
Ø of Device



Stanley QED100  
Hager 4500  
Lawrence LH8850/8650  
PDD 6200CV(F)  
Brackets available for both  
Top and Bottom of Door.



Top Brackets ONLY.  
Von Duprin 3350A/3550A WDC  
Von Duprin 9850/9950 WDC  
Schlage LM9200 WDC



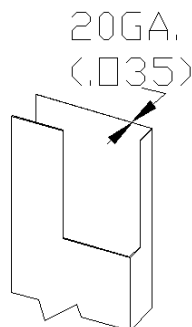
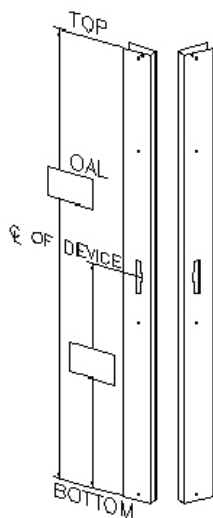
Bottom Brackets ONLY.  
Von Duprin 3350A/3550A WDC  
Von Duprin 9850/9950 WDC  
Schlage LM9200 WDC

**CONCEALED VERTICAL ROD 5" METAL CHANNELS for WOOD DOORS**

**MATERIAL: 20 GA. GALVANIZED STEEL POWDER PAINTED BEIGE**

**SPECIALS: 20 GA. SS w/#4 BRUSHED FINISH - VENEER WRAPPED**

AMS Part No.	Device Manufacturer	Series
251	Von Duprin Series	9847/9947
251A	Von Duprin CVC Series	9849/9949
251B	Von Duprin CVC Series	9850/9950
252	Von Duprin Series	5547
253	Von Duprin Series	3347/3547
254	DORMA Device	4100/6100
255	Sargent Device	8600
256	Adams Rite Device	3900/8900
257	Yale Device	7100
258	Monarch/Falcon Devices	(F) 17-24-18-25-XX-C
260	Arrow Device	F3600
261	Corbin Russwin Device	5800
262	Precision Device	FL 1700/1700
263	Sargent Device	PP8600 & PR8600
264	DORMA Device	9100
264A	DORMA Device	9600
265	Precision Device	FL 2700/2700
266	DORMA Device	5100
267	Von Duprin Series	3347A/3547A
267A	Von Duprin CVC Series	3350A/3550A
268	Assa Abloy Device	WD7000/MP9800
269	Monarch/Falcon Centerslide Devices	(F) 17-24-18-25-XX-C
270	Stanley Series (Black & Decker)	QED 100
271	Hager CVR Series	4500
272	Detex CVR Series	7000
273	Cal-Royal Series	W77CVR/W98CVR
274	Lawrence Series	LH8850/8650
275	Schlage Series	LM9200
276	PDQ Series	6200CV(F)
277.5	Corbin Russwin Device	FE6800 MPL



20 GA. Galvanized Channel (.035)  
Adds an additional 1/32" to the  
Edge of your door.

A completed AMS Template must accompany your  
order. Templates are available on our website  
([www.AllMetalStamping.com](http://www.AllMetalStamping.com))

**ALL METAL STAMPING, INC.**

**411 W. SPRUCE STREET**

**P.O. BOX 485, ABBOTSFORD, WI. 54405-0485**

**Phone 715-223-6324**

**FAX 715-223-3352**

10/28/14

# ALL METAL STAMPING, INC., ABBOTSFORD, WI. 54405

715-223-6324

FAX: 715-223-3352

AMS USE ONLY

## 5" CHANNEL - VON DUPRIN CVR's

CUSTOMER: \_\_\_\_\_ DOOR #: \_\_\_\_\_

P.O.: \_\_\_\_\_ DATE: \_\_\_\_\_

M.O.: \_\_\_\_\_

ACCESSORY ITEM #: \_\_\_\_\_

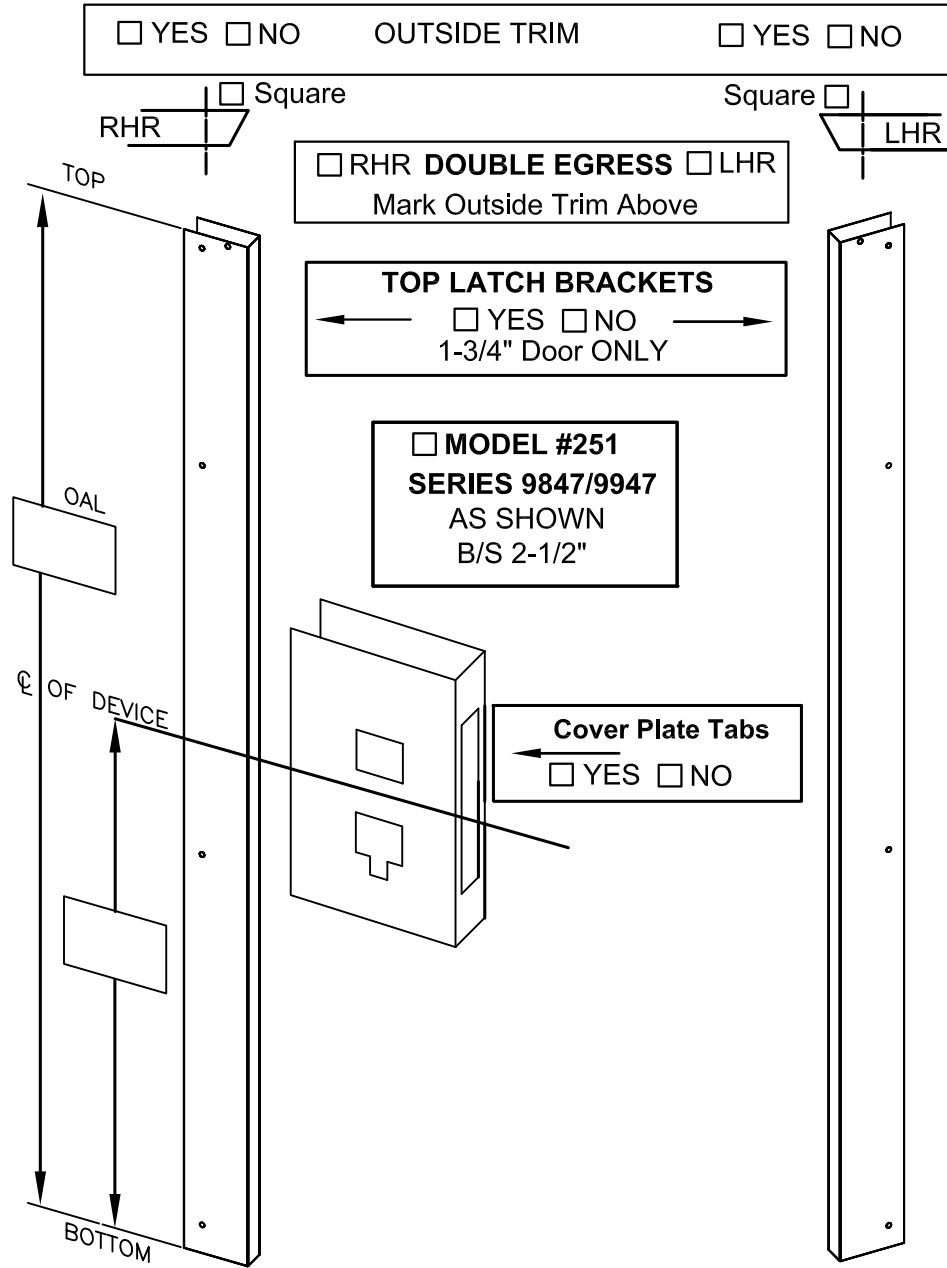
DOOR ITEM: \_\_\_\_\_ DRAWN BY: \_\_\_\_\_ DATE: \_\_\_\_\_

NO. of SETS REQ.: \_\_\_\_\_ DATE REQ.: \_\_\_\_\_

Std. Beige  Special Color: \_\_\_\_\_  No Paint

1-3/4" Door  1-13/16" Door  2-1/4" Door  Veneer: \_\_\_\_\_

Other \_\_\_\_\_  20 GA. Galv. (Std.)  Other \_\_\_\_\_



### OUTSIDE TRIM

696/697

990TP/990

991/992  
 994/996

376T  
Thumbturn

Access Hole  
 YES

Use VD Scalp Plate  
 Cover Plate Tabs  
 NO

Complete dimension above

**NON-LISTED TRIM**  
Template must accompany Order

10/28/14

# ALL METAL STAMPING, INC., ABBOTSFORD, WI. 54405

715-223-6324

FAX: 715-223-3352

AMS USE ONLY

## 5" CHANNEL - VON DUPRIN CVR's

CUSTOMER: \_\_\_\_\_ DOOR #: \_\_\_\_\_

P.O.: \_\_\_\_\_ DATE: \_\_\_\_\_

M.O.: \_\_\_\_\_

ACCESSORY ITEM #: \_\_\_\_\_

DOOR ITEM: \_\_\_\_\_ DRAWN BY: \_\_\_\_\_ DATE: \_\_\_\_\_

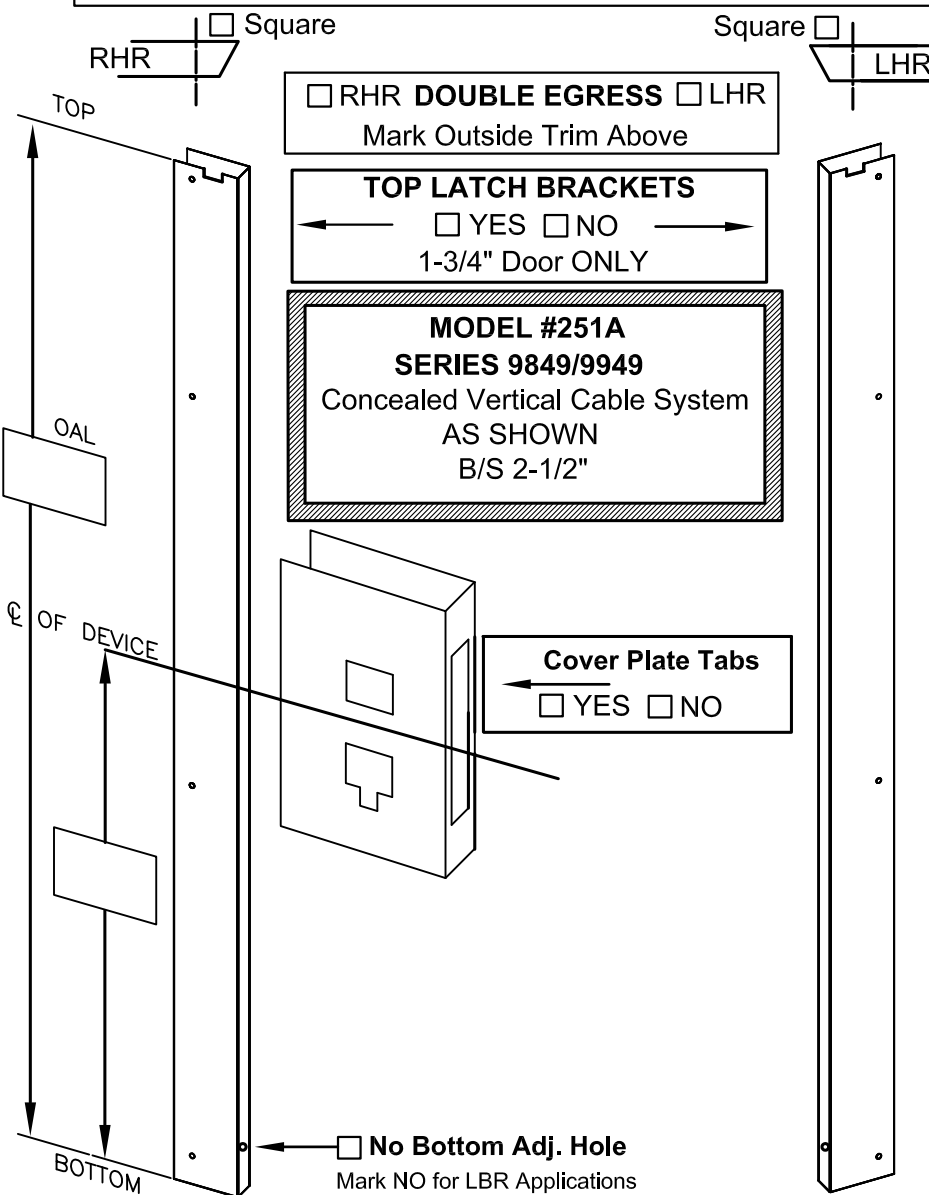
NO. of SETS REQ.: \_\_\_\_\_ DATE REQ.: \_\_\_\_\_

Std. Beige  Special Color: \_\_\_\_\_  No Paint

1-3/4" Door  1-13/16" Door  2-1/4" Door  Veneer: \_\_\_\_\_

Other \_\_\_\_\_  20 GA. Galv. (Std.)  Other \_\_\_\_\_

YES  NO OUTSIDE TRIM  YES  NO



### OUTSIDE TRIM

696/697

990TP/990

991/992  
 994/996

376T  
Thumbturn  
Access Hole  
 YES  
Use VD Scalp Plate

Cover Plate Tabs  
 NO

Complete dimension above

NON-LISTED TRIM  
Template must accompany Order

1/21/15

# ALL METAL STAMPING, INC., ABBOTSFORD, WI. 54405

715-223-6324

FAX: 715-223-3352

AMS USE ONLY

## 5" CHANNEL - VON DUPRIN CVR's



CUSTOMER: \_\_\_\_\_ DOOR #: \_\_\_\_\_

P.O.: \_\_\_\_\_ DATE: \_\_\_\_\_

M.O.: \_\_\_\_\_

ACCESSORY ITEM #: \_\_\_\_\_

DOOR ITEM: \_\_\_\_\_ DRAWN BY: \_\_\_\_\_ DATE: \_\_\_\_\_

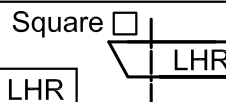
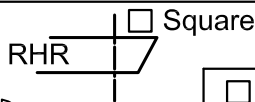
NO. of SETS REQ.: \_\_\_\_\_ DATE REQ.: \_\_\_\_\_

Std. Beige  Special Color: \_\_\_\_\_  No Paint

1-3/4" Door  1-13/16" Door  2-1/4" Door  Veneer: \_\_\_\_\_

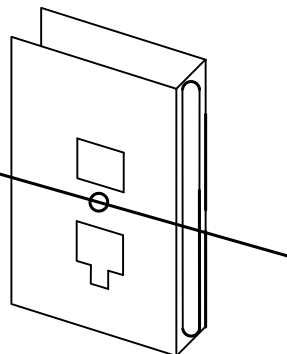
Other \_\_\_\_\_  20 GA. Galv. (Std.)  Other \_\_\_\_\_

YES  NO OUTSIDE TRIM  YES  NO

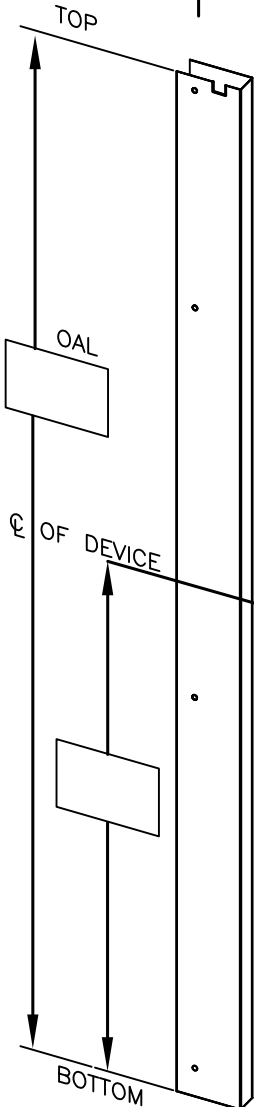


RHR **DOUBLE EGRESS**  LHR  
Mark Outside Trim Above

**LATCH BRACKETS**  
 NONE  
 TOP ONLY  
 TOP & BOTTOM  
1-3/4" Door ONLY



**MODEL #251B**  
**SERIES 9850/9950**  
AS SHOWN  
B/S 2-3/8"



### OUTSIDE TRIM

- 110NL
- 696NL/697NL
- 696TP/697TP
- 696TP-BE/697TP-BE
- 990NL
- 990TP
- 990TP-BE
- 996L
- 996L-NL
- 996L-BE

NON-LISTED TRIM  
Template must accompany Order

1/11/18

# ALL METAL STAMPING, INC., ABBOTSFORD, WI. 54405

715-223-6324

FAX: 715-223-3352

## 5" CHANNEL - VON DUPRIN CVR's

AMS USE ONLY

CUSTOMER: \_\_\_\_\_ DOOR #: \_\_\_\_\_

P.O.: \_\_\_\_\_ DATE: \_\_\_\_\_

M.O.: \_\_\_\_\_

ACCESSORY ITEM #: \_\_\_\_\_

DOOR ITEM: \_\_\_\_\_ DRAWN BY: \_\_\_\_\_ DATE: \_\_\_\_\_

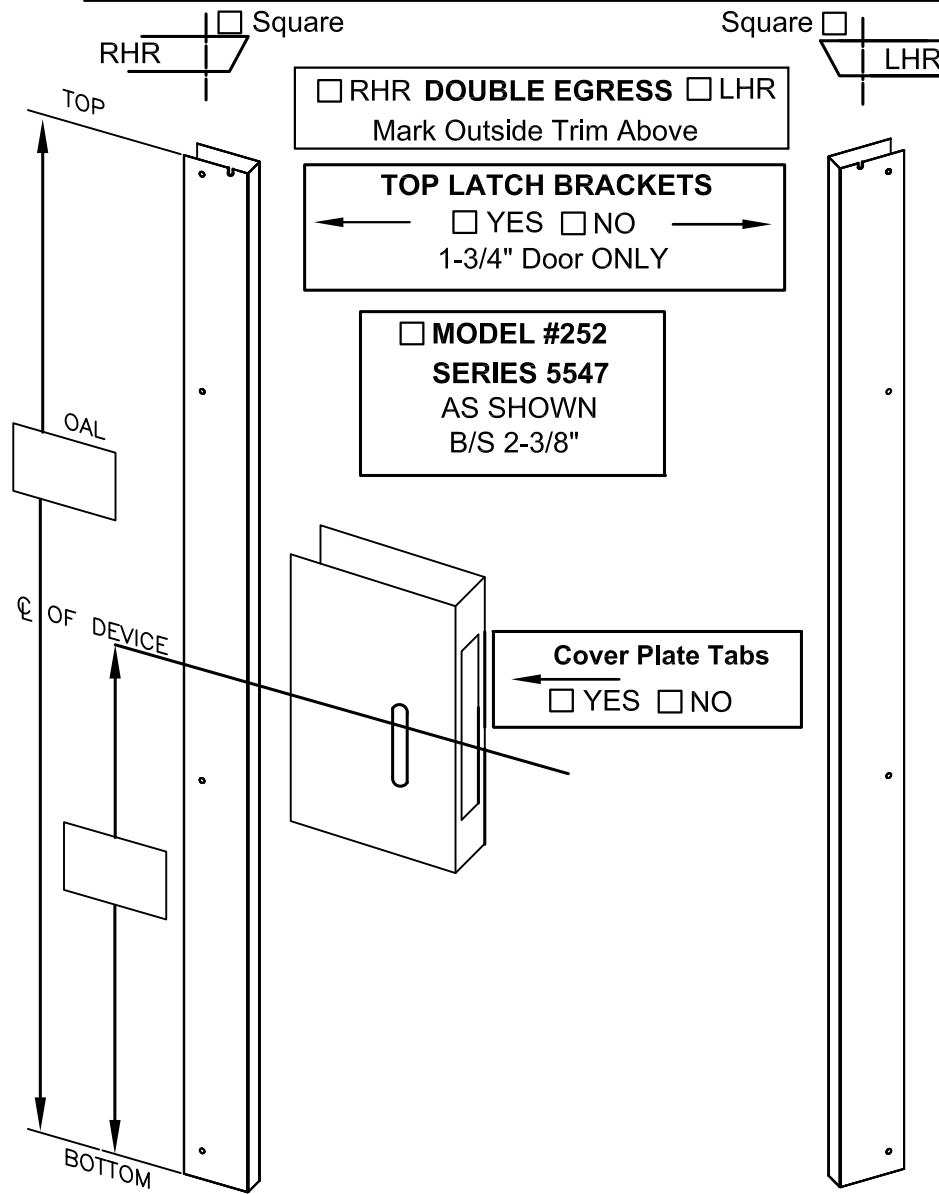
NO. of SETS REQ.: \_\_\_\_\_ DATE REQ.: \_\_\_\_\_

Std. Beige  Special Color: \_\_\_\_\_  No Paint

1-3/4" Door  1-13/16" Door  2-1/4" Door  Veneer: \_\_\_\_\_

Other \_\_\_\_\_  20 GA. Galv. (Std.)  Other \_\_\_\_\_

YES  NO    OUTSIDE TRIM     YES  NO



### OUTSIDE TRIM

**556NL**

Temp. W40021  
 Temp. W20041

371-L Control

376L Lever  
Use VD 12" Plate

**Cover Plate Tabs**  
 YES  NO

376T Thumbturn

Access Hole  
Use VD Scalp Plate

**Cover Plate Tabs**  
 YES  NO

CL to CL

Complete dimension above for both 376L or 376T

**NON-LISTED TRIM**  
Template must accompany Order



10/28/14

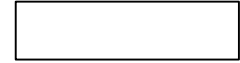
# ALL METAL STAMPING, INC., ABBOTSFORD, WI. 54405

715-223-6324

FAX: 715-223-3352

AMS USE ONLY

## 5" CHANNEL - VON DUPRIN CVR's



CUSTOMER: \_\_\_\_\_ DOOR #: \_\_\_\_\_

P.O.: \_\_\_\_\_ DATE: \_\_\_\_\_

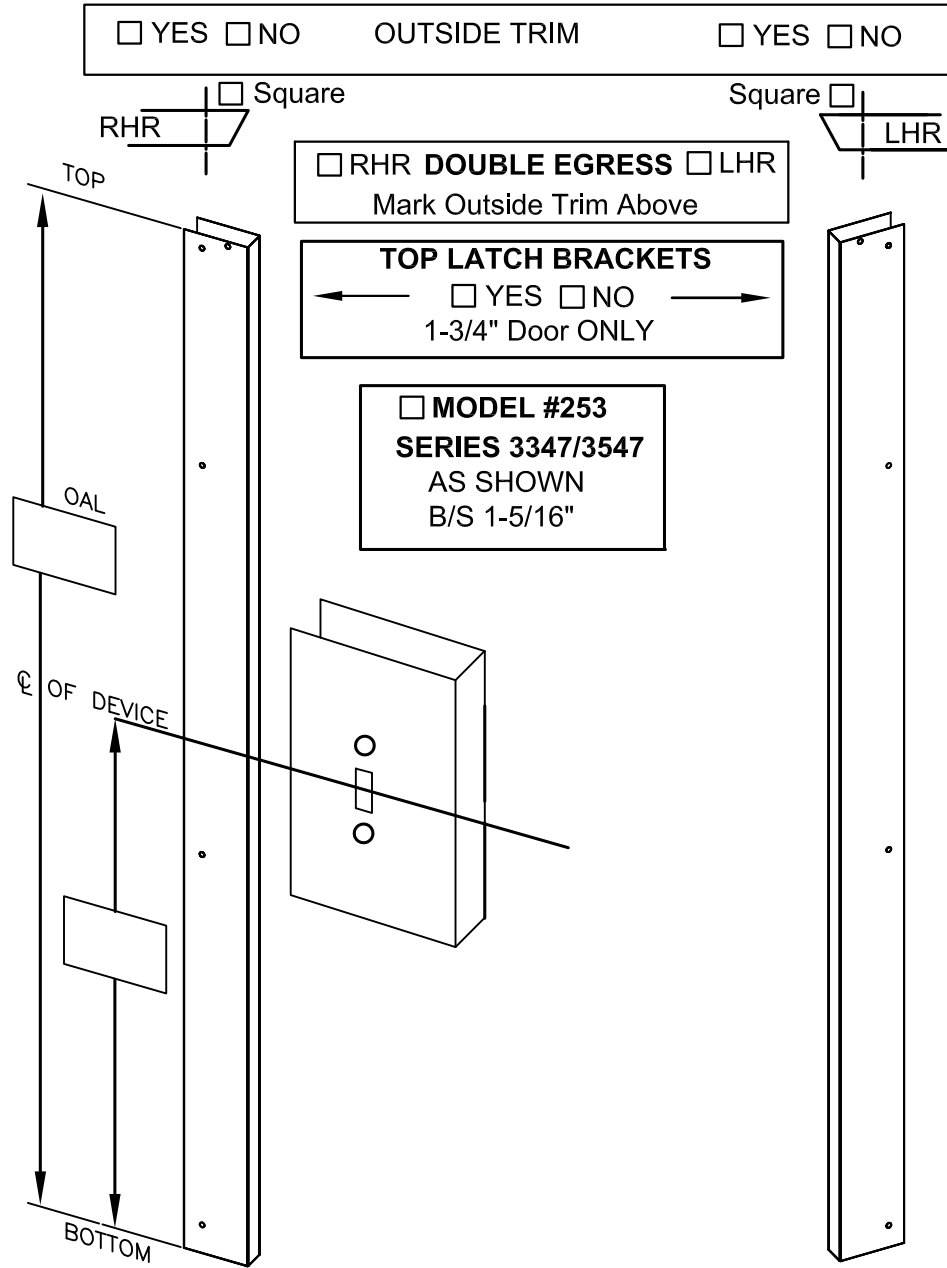
M.O.: \_\_\_\_\_

ACCESSORY ITEM #: \_\_\_\_\_

DOOR ITEM: \_\_\_\_\_ DRAWN BY: \_\_\_\_\_ DATE: \_\_\_\_\_

NO. of SETS REQ.: \_\_\_\_\_ DATE REQ.: \_\_\_\_\_

- Std. Beige  Special Color: \_\_\_\_\_  No Paint
- 1-3/4" Door  1-13/16" Door  2-1/4" Door  Veneer: \_\_\_\_\_
- Other \_\_\_\_\_  20 GA. Galv. (Std.)  Other \_\_\_\_\_



### OUTSIDE TRIM

337NL

372T/372L

376T  
Thumbturn

Access Hole

YES  
Use VD Scalp Plate

Cover Plate Tabs

NO

Complete dimension above

**NON-LISTED TRIM**  
 Template must accompany Order

10/28/14

# ALL METAL STAMPING, INC., ABBOTSFORD, WI. 54405

715-223-6324

FAX: 715-223-3352

AMS USE ONLY

## 5" CHANNEL - DORMA/American CVR's



CUSTOMER: \_\_\_\_\_ DOOR #: \_\_\_\_\_

P.O.: \_\_\_\_\_ DATE: \_\_\_\_\_

M.O.: \_\_\_\_\_

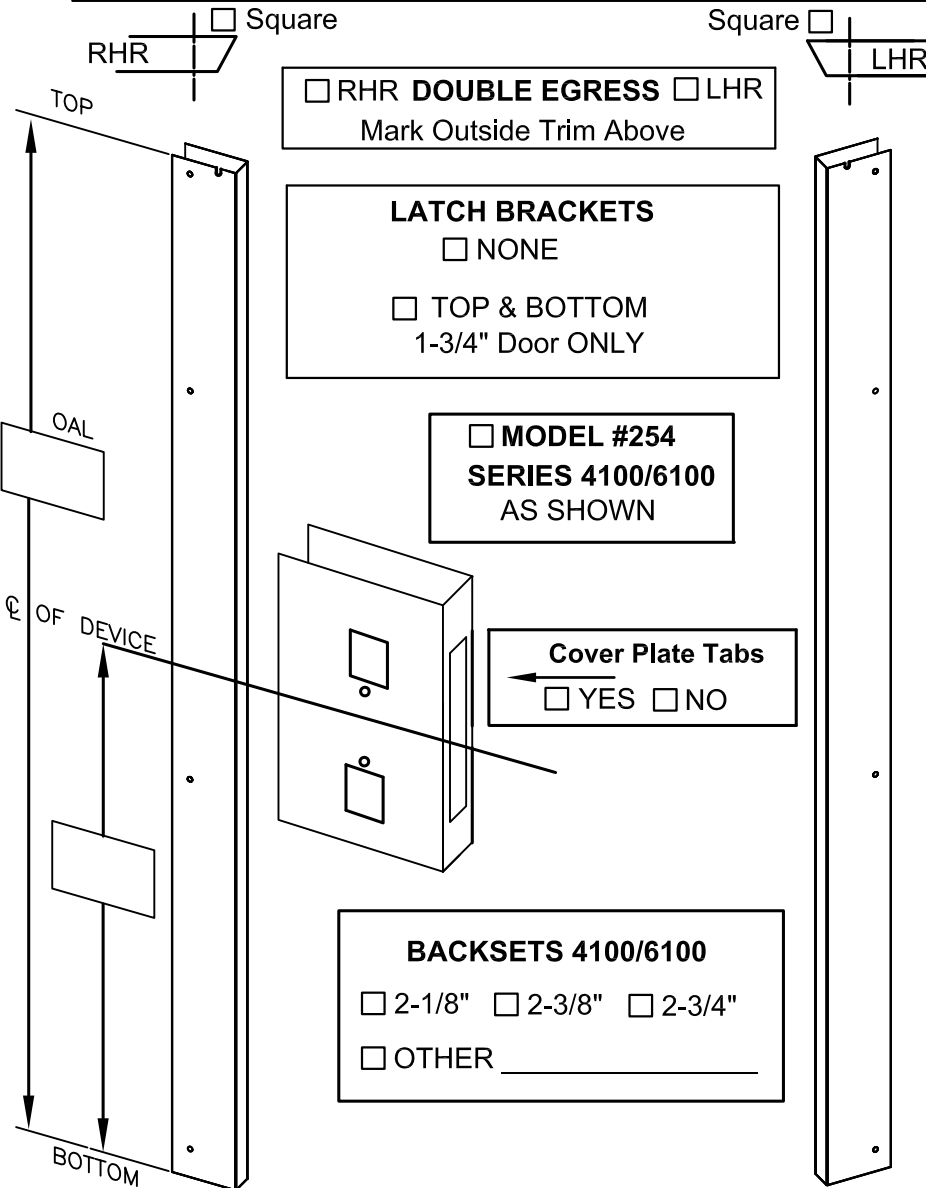
ACCESSORY ITEM #: \_\_\_\_\_

DOOR ITEM: \_\_\_\_\_ DRAWN BY: \_\_\_\_\_ DATE: \_\_\_\_\_

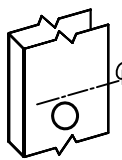
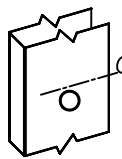
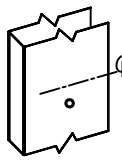
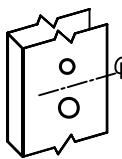
NO. of SETS REQ.: \_\_\_\_\_ DATE REQ.: \_\_\_\_\_

- Std. Beige  Special Color: \_\_\_\_\_  No Paint
- 1-3/4" Door  1-13/16" Door  2-1/4" Door  Veneer: \_\_\_\_\_
- Other \_\_\_\_\_  20 GA. Galv. (Std.)  Other \_\_\_\_\_

YES  NO    OUTSIDE TRIM     YES  NO



**OUTSIDE TRIM**

-   T-1507WD
-   T-1509WD
-   T-1506WD
-   T-1505WD, T-1508WD  
T-1511WD, T-1512WD
- NON-LISTED TRIM  
Template must accompany Order

10/28/14

# ALL METAL STAMPING, INC., ABBOTSFORD, WI. 54405

715-223-6324

FAX: 715-223-3352

AMS USE ONLY

## 5" CHANNEL - SARGENT CVR's



CUSTOMER: \_\_\_\_\_ DOOR #: \_\_\_\_\_

P.O.: \_\_\_\_\_ DATE: \_\_\_\_\_

M.O.: \_\_\_\_\_

ACCESSORY ITEM #: \_\_\_\_\_

DOOR ITEM: \_\_\_\_\_ DRAWN BY: \_\_\_\_\_ DATE: \_\_\_\_\_

NO. of SETS REQ.: \_\_\_\_\_ DATE REQ.: \_\_\_\_\_

Std. Beige  Special Color: \_\_\_\_\_  No Paint

1-3/4" Door  1-13/16" Door  2-1/4" Door  Veneer: \_\_\_\_\_

Other \_\_\_\_\_  20 GA. Galv. (Std.)  Other \_\_\_\_\_

YES  NO OUTSIDE TRIM  YES  NO

Square

Square

RHR

LHR

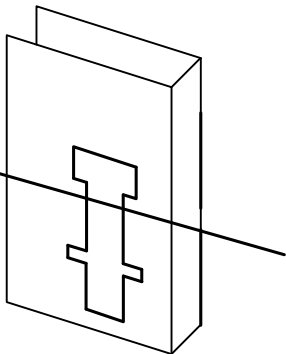
RHR **DOUBLE EGRESS**  LHR  
Mark Outside Trim Above

### LATCH BRACKETS

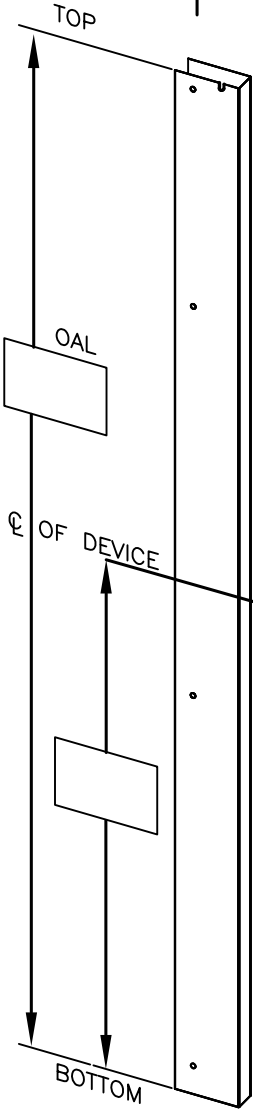
NONE

TOP ONLY

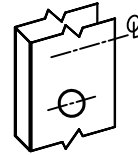
TOP & BOTTOM  
1-3/4" Door ONLY



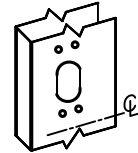
**MODEL #255**  
**SERIES 8600**  
AS SHOWN  
B/S 2-3/4"



### OUTSIDE TRIM



700-4 ET Control



106 & 113

NON-LISTED TRIM

Template must accompany Order

2/14/14

# ALL METAL STAMPING, INC., ABBOTSFORD, WI. 54405

715-223-6324

FAX: 715-223-3352

AMS USE ONLY

## 5" CHANNEL - ADAMS RITE CVR's

CUSTOMER: \_\_\_\_\_ DOOR #: \_\_\_\_\_

P.O.: \_\_\_\_\_ DATE: \_\_\_\_\_

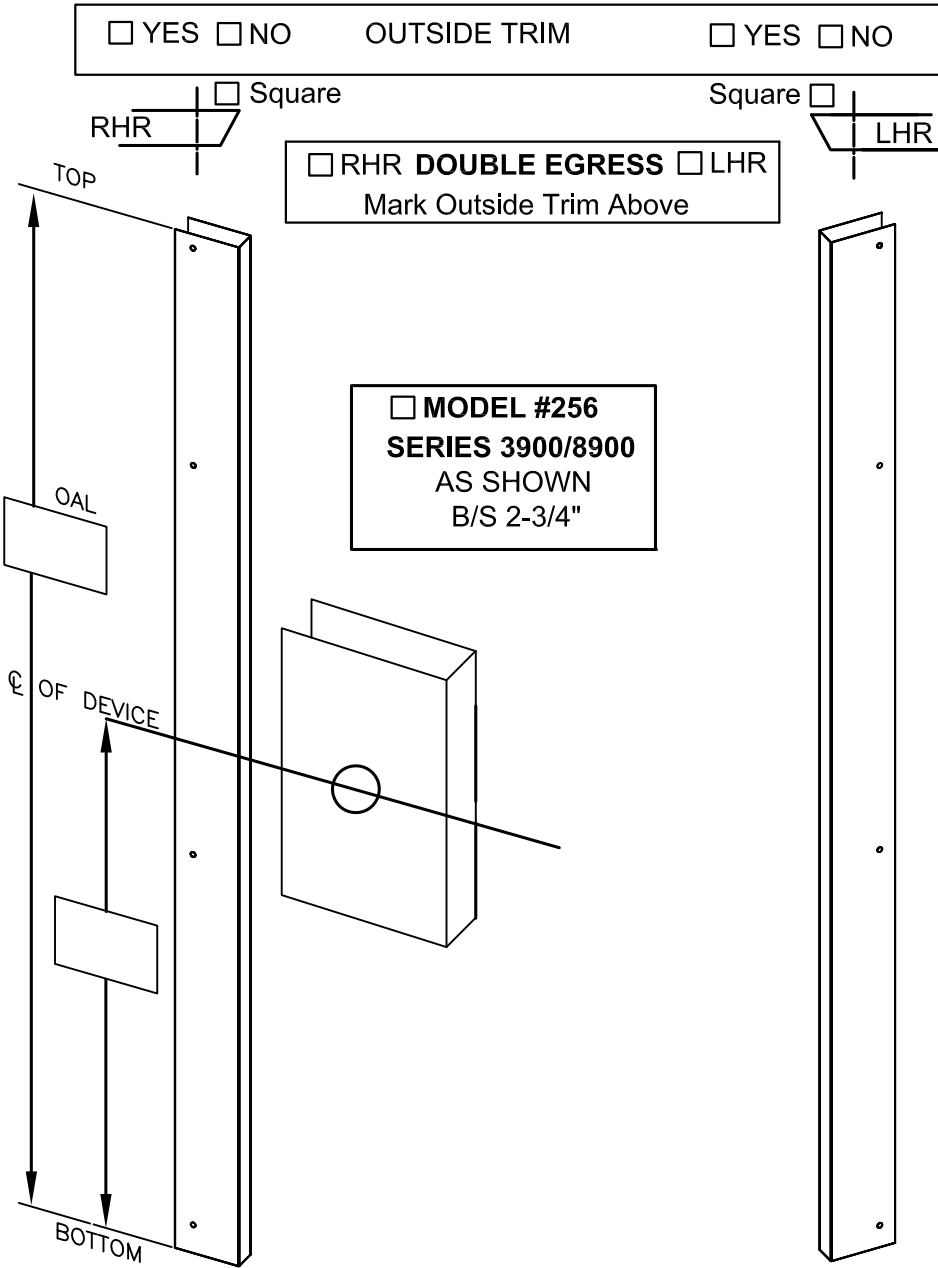
M.O.: \_\_\_\_\_

ACCESSORY ITEM #: \_\_\_\_\_

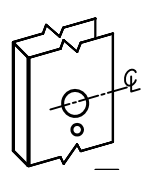
DOOR ITEM: \_\_\_\_\_ DRAWN BY: \_\_\_\_\_ DATE: \_\_\_\_\_

NO. of SETS REQ.: \_\_\_\_\_ DATE REQ.: \_\_\_\_\_

- Std. Beige    Special Color: \_\_\_\_\_    No Paint  
 1-3/4" Door    1-13/16" Door    2-1/4" Door    Veneer: \_\_\_\_\_  
 Other \_\_\_\_\_    20 GA. Galv. (Std.)    Other \_\_\_\_\_



### OUTSIDE TRIM



3081/3082/3083

**NON-LISTED TRIM**  
 Template must accompany Order

1/11/18

# ALL METAL STAMPING, INC., ABBOTSFORD, WI. 54405

715-223-6324

FAX: 715-223-3352

## 5" CHANNEL - YALE/CORBIN RUSSWIN CVR's

AMS USE ONLY

CUSTOMER: \_\_\_\_\_ DOOR #: \_\_\_\_\_

P.O.: \_\_\_\_\_ DATE: \_\_\_\_\_

M.O.: \_\_\_\_\_

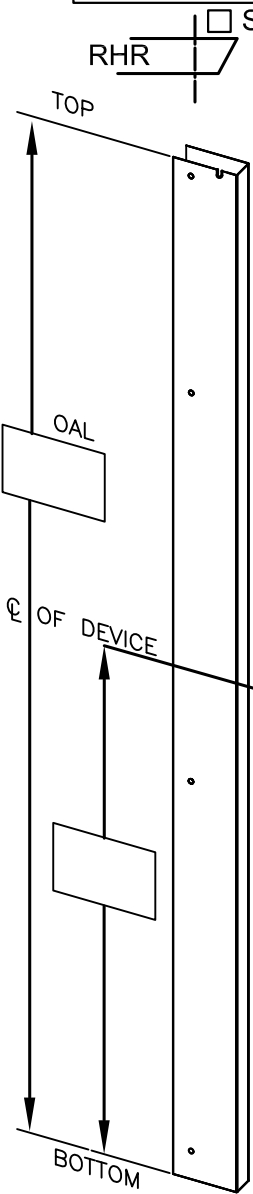
ACCESSORY ITEM #: \_\_\_\_\_

DOOR ITEM: \_\_\_\_\_ DRAWN BY: \_\_\_\_\_ DATE: \_\_\_\_\_

NO. of SETS REQ.: \_\_\_\_\_ DATE REQ.: \_\_\_\_\_

- Std. Beige  Special Color: \_\_\_\_\_  No Paint
- 1-3/4" Door  1-13/16" Door  2-1/4" Door  Veneer: \_\_\_\_\_
- Other \_\_\_\_\_  20 GA. Galv. (Std.)  Other \_\_\_\_\_

YES  NO    OUTSIDE TRIM     YES  NO



Square    Square

RHR **DOUBLE EGRESS**  LHR

Mark Outside Trim Above

**LATCH BRACKETS**  
Yale 7160 or Corbin Russwin 5860

NONE

TOP ONLY

TOP & BOTTOM

1-3/4" Door ONLY

**MODEL #257 YALE DEVICES**  
B/S 2-3/4"

SERIES 7120

SERIES 7160

**MODEL #261 CORBIN RUSSWIN DEVICES**  
B/S 2-3/4"

SERIES 5860

OUTSIDE TRIM		
	YALE	CORBIN RUSSWIN
	<input type="checkbox"/> 521F/621F	<input type="checkbox"/> F257/F957/P957
	<input type="checkbox"/> 522F/526F <input type="checkbox"/> 603F/622F/626F	<input type="checkbox"/> 755/759/955/959
	<input type="checkbox"/> 524F/528F <input type="checkbox"/> 624F/628F	<input type="checkbox"/> 710/910
	<input type="checkbox"/> 525F/529F <input type="checkbox"/> 625F/629F	<input type="checkbox"/> 750/950
	<input type="checkbox"/> 533F <input type="checkbox"/> 633F	<input type="checkbox"/> T1355
	<input type="checkbox"/> 535F <input type="checkbox"/> 635F	<input type="checkbox"/> T1310
<input type="checkbox"/> NON-LISTED TRIM Template must accompany Order		

10/28/14

# ALL METAL STAMPING, INC., ABBOTSFORD, WI. 54405

715-223-6324

FAX: 715-223-3352

AMS USE ONLY

## 5" CHANNEL - MONARCH/FALCON CVR's

CUSTOMER: \_\_\_\_\_ DOOR #: \_\_\_\_\_

P.O.: \_\_\_\_\_ DATE: \_\_\_\_\_

M.O.: \_\_\_\_\_

ACCESSORY ITEM #: \_\_\_\_\_

DOOR ITEM: \_\_\_\_\_ DRAWN BY: \_\_\_\_\_ DATE: \_\_\_\_\_

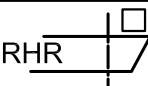
NO. of SETS REQ.: \_\_\_\_\_ DATE REQ.: \_\_\_\_\_

Std. Beige  Special Color: \_\_\_\_\_  No Paint

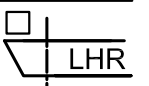
1-3/4" Door  1-13/16" Door  2-1/4" Door  Veneer: \_\_\_\_\_

Other \_\_\_\_\_  20 GA. Galv. (Std.)  Other \_\_\_\_\_

YES  NO
OUTSIDE TRIM
 YES  NO

Square  


RHR

Square  


LHR

RHR **DOUBLE EGRESS**  LHR  
 Mark Outside Trim Above

If NO Bracket Selection is made. We will assume NONE is selected.

**Top/Bottom Brackets or Bracket Holes**

NONE

TOP ONLY

TOP & BOTTOM  
1-3/4" Door ONLY

**BRACKET HOLES**

5/16 from Top

3/4 from Top

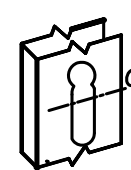
**Please Check One**

Series CVR (F)17/24-C  
Template W-1151-a or W-1352-a

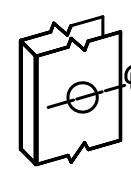
Series CVR (F)18/25/XX-C  
Template W-1150-a or W-1250-a or W-1450-a

**MODEL #258 SERIES**  
(F)17/24/18/25/XX-C  
AS SHOWN  
B/S 2-13/16"

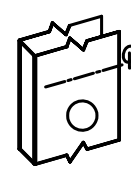
**OUTSIDE TRIM**



L-Control  
W-2133-a  
W-2356-a  
W-2456-a

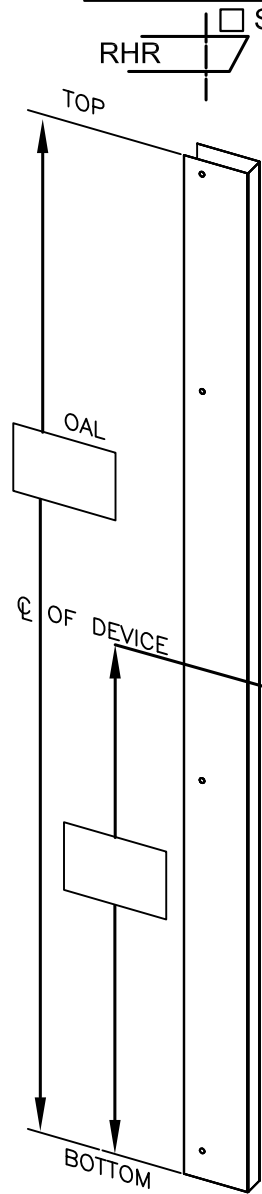


Delta Trim  
W-2144-a  
W-2355-a  
W-2455-a



25 Series Trim  
W-2201-a  
W-2202-a  
W-2203-a

NON-LISTED TRIM  
Template must accompany Order



If NO Bracket Selection is made. We will assume NONE is selected.

**Top/Bottom Brackets or Bracket Holes**

NONE

TOP ONLY

TOP & BOTTOM  
1-3/4" Door ONLY

**BRACKET HOLES**

5/16 from Top

3/4 from Top

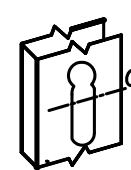
**Please Check One**

Series CVR (F)17/24-C  
Template W-1151-a or W-1352-a

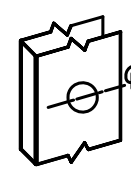
Series CVR (F)18/25/XX-C  
Template W-1150-a or W-1250-a or W-1450-a

**MODEL #258 SERIES**  
(F)17/24/18/25/XX-C  
AS SHOWN  
B/S 2-13/16"

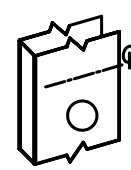
**OUTSIDE TRIM**



L-Control  
W-2133-a  
W-2356-a  
W-2456-a



Delta Trim  
W-2144-a  
W-2355-a  
W-2455-a



25 Series Trim  
W-2201-a  
W-2202-a  
W-2203-a

NON-LISTED TRIM  
Template must accompany Order

2/14/14

# ALL METAL STAMPING, INC., ABBOTSFORD, WI. 54405

715-223-6324

FAX: 715-223-3352

AMS USE ONLY

## 5" CHANNEL - ARROW CVR's

CUSTOMER: \_\_\_\_\_ DOOR #: \_\_\_\_\_

P.O.: \_\_\_\_\_ DATE: \_\_\_\_\_

M.O.: \_\_\_\_\_

ACCESSORY ITEM #: \_\_\_\_\_

DOOR ITEM: \_\_\_\_\_ DRAWN BY: \_\_\_\_\_ DATE: \_\_\_\_\_

NO. of SETS REQ.: \_\_\_\_\_ DATE REQ.: \_\_\_\_\_

Std. Beige  Special Color: \_\_\_\_\_  No Paint

1-3/4" Door  1-13/16" Door  2-1/4" Door  Veneer: \_\_\_\_\_

Other \_\_\_\_\_  20 GA. Galv. (Std.)  Other \_\_\_\_\_

YES  NO OUTSIDE TRIM  YES  NO

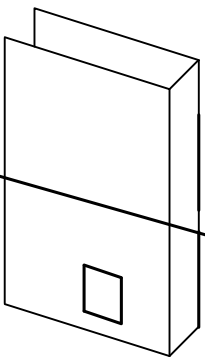
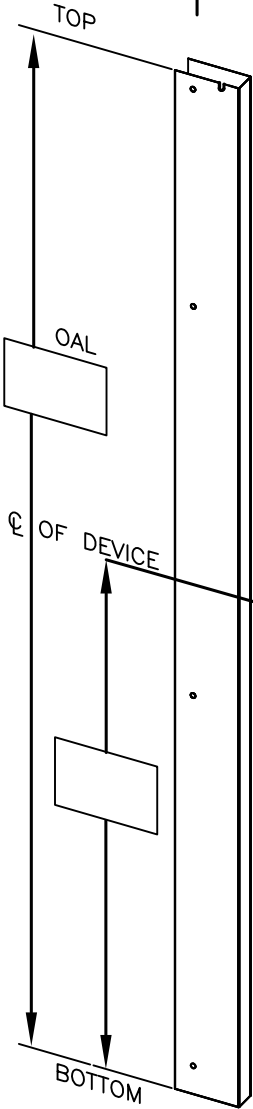
Square

Square

RHR

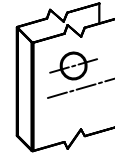
LHR

RHR **DOUBLE EGRESS**  LHR  
Mark Outside Trim Above

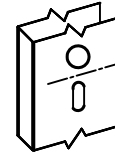


**MODEL #260**  
**SERIES F-3600**  
AS SHOWN  
B/S 2-3/4"

### OUTSIDE TRIM



411 & 412  
Auxiliary Control



SL08  
SL Auxiliary Control

**NON-LISTED TRIM**  
Template must accompany Order

10/28/14

# ALL METAL STAMPING, INC., ABBOTSFORD, WI. 54405

715-223-6324

FAX: 715-223-3352

AMS USE ONLY

## 5" CHANNEL - PRECISION CVR's

CUSTOMER: \_\_\_\_\_ DOOR #: \_\_\_\_\_

P.O.: \_\_\_\_\_ DATE: \_\_\_\_\_

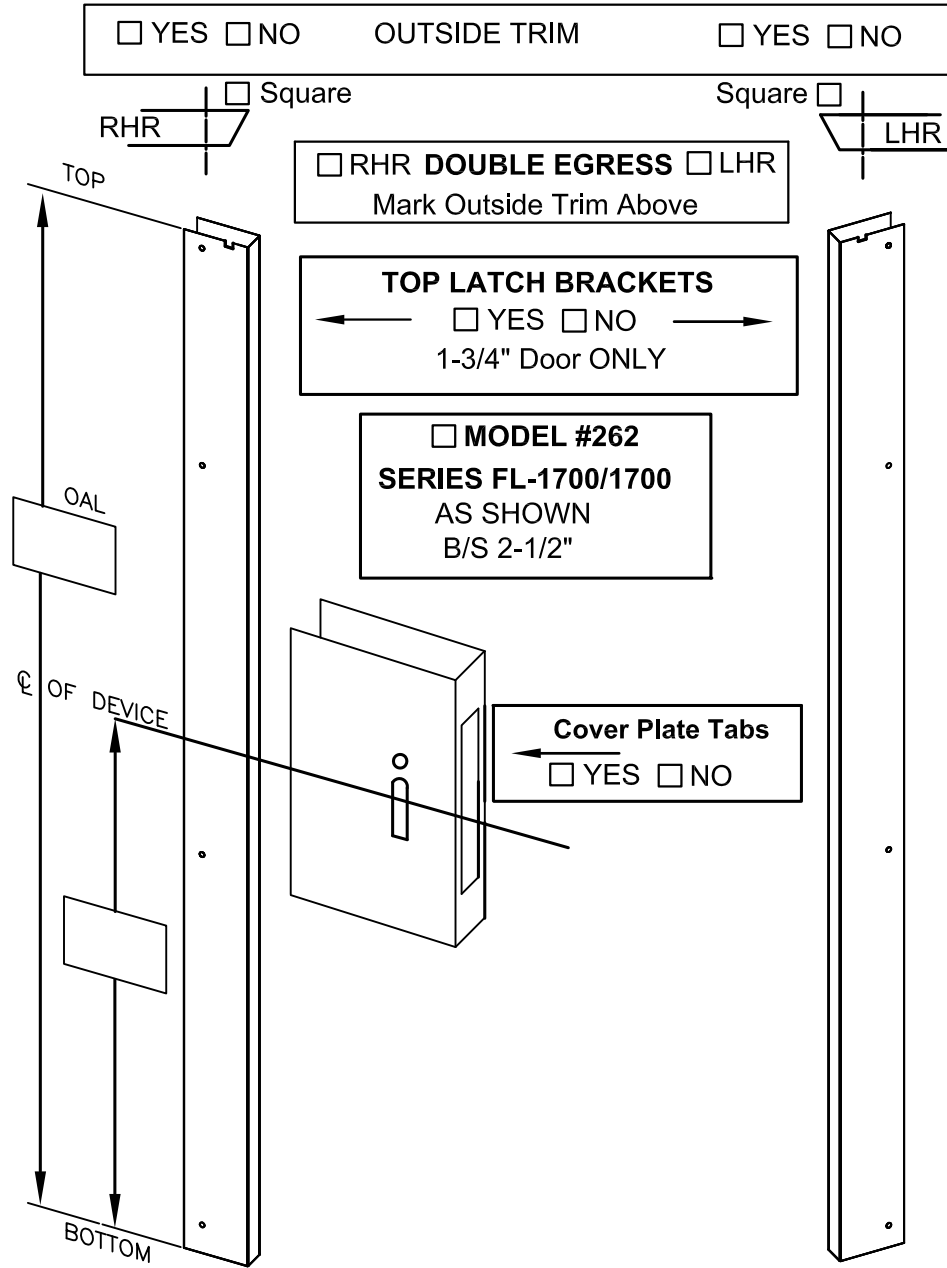
M.O.: \_\_\_\_\_

ACCESSORY ITEM #: \_\_\_\_\_

DOOR ITEM: \_\_\_\_\_ DRAWN BY: \_\_\_\_\_ DATE: \_\_\_\_\_

NO. of SETS REQ.: \_\_\_\_\_ DATE REQ.: \_\_\_\_\_

- Std. Beige    Special Color: \_\_\_\_\_    No Paint  
 1-3/4" Door    1-13/16" Door    2-1/4" Door    Veneer: \_\_\_\_\_  
 Other \_\_\_\_\_    20 GA. Galv. (Std.)    Other \_\_\_\_\_



**OUTSIDE TRIM**

17 & 17C

39, 39L, V39L

**NON-LISTED TRIM**  
 Template must accompany Order



10/28/14

# ALL METAL STAMPING, INC., ABBOTSFORD, WI. 54405

715-223-6324

FAX: 715-223-3352

AMS USE ONLY

## 5" CHANNEL - SARGENT CVR's - LHR Lock Side

CUSTOMER: \_\_\_\_\_ DOOR #: \_\_\_\_\_

P.O.: \_\_\_\_\_ DATE: \_\_\_\_\_

M.O.: \_\_\_\_\_

ACCESSORY ITEM #: \_\_\_\_\_

DOOR ITEM: \_\_\_\_\_ DRAWN BY: \_\_\_\_\_ DATE: \_\_\_\_\_

NO. of SETS REQ.: \_\_\_\_\_ DATE REQ.: \_\_\_\_\_

Std. Beige  Special Color: \_\_\_\_\_  No Paint

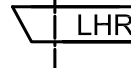
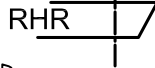
1-3/4" Door  1-13/16" Door  2-1/4" Door  Veneer: \_\_\_\_\_

Other \_\_\_\_\_  20 GA. Galv. (Std.)  Other \_\_\_\_\_

YES  NO OUTSIDE TRIM  YES  NO

Square

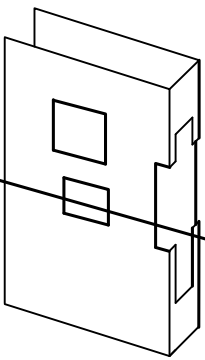
Square



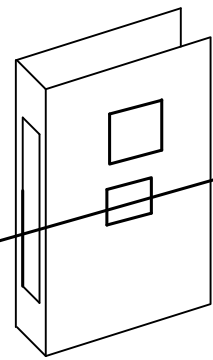
RHR **DOUBLE EGRESS**  LHR  
Mark Outside Trim Above

**TOP LATCH BRACKETS**  
←  YES  NO →  
1-3/4" Door ONLY

**Cover Plate Tabs**  
#12-24 Tapped 7-1/4" O.C.  
 YES  NO



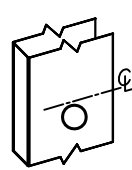
Strike Side  
PR8600



Lock Side  
PP8600

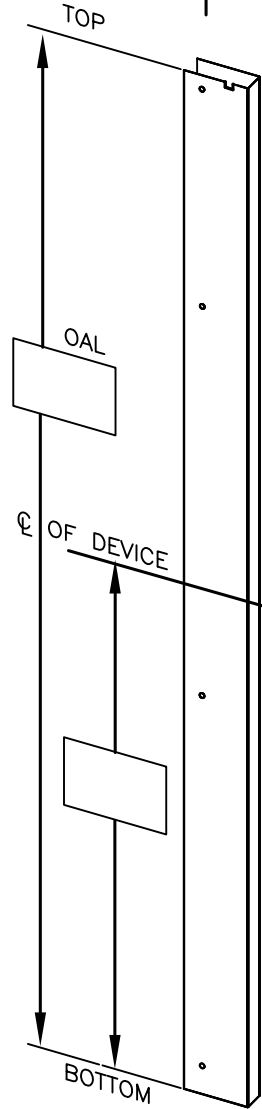
**MODEL #263 LHR**  
**SERIES #PP & PR8600**  
AS SHOWN  
B/S 2-3/4"

**OUTSIDE TRIM**



700-6  
ET CONTROL

**NON-LISTED TRIM**  
Template must accompany Order



10/28/14

# ALL METAL STAMPING, INC., ABBOTSFORD, WI. 54405

715-223-6324

FAX: 715-223-3352

AMS USE ONLY

## 5" CHANNEL - SARGENT CVR's - RHR Lock Side

CUSTOMER: \_\_\_\_\_ DOOR #: \_\_\_\_\_

P.O.: \_\_\_\_\_ DATE: \_\_\_\_\_

M.O.: \_\_\_\_\_

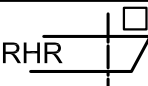
ACCESSORY ITEM #: \_\_\_\_\_

DOOR ITEM: \_\_\_\_\_ DRAWN BY: \_\_\_\_\_ DATE: \_\_\_\_\_

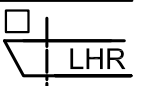
NO. of SETS REQ.: \_\_\_\_\_ DATE REQ.: \_\_\_\_\_

- Std. Beige    Special Color: \_\_\_\_\_    No Paint  
 1-3/4" Door    1-13/16" Door    2-1/4" Door    Veneer: \_\_\_\_\_  
 Other \_\_\_\_\_    20 GA. Galv. (Std.)    Other \_\_\_\_\_

YES    NO   **OUTSIDE TRIM**    YES    NO

Square  


RHR

Square  


LHR

RHR **DOUBLE EGRESS**  LHR
Mark Outside Trim Above

**TOP LATCH BRACKETS**

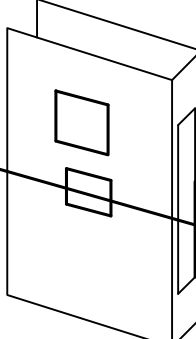
←  YES  NO →

1-3/4" Door ONLY

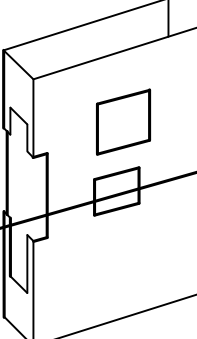
**Cover Plate Tabs**

#12-24 Tapped 7-1/4" O.C.

YES  NO



**Lock Side**  
PP860



**Strike Side**  
PR860

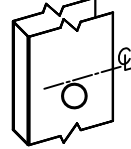
**MODEL #263 RHR**

**SERIES #PP & PR860**

AS SHOWN

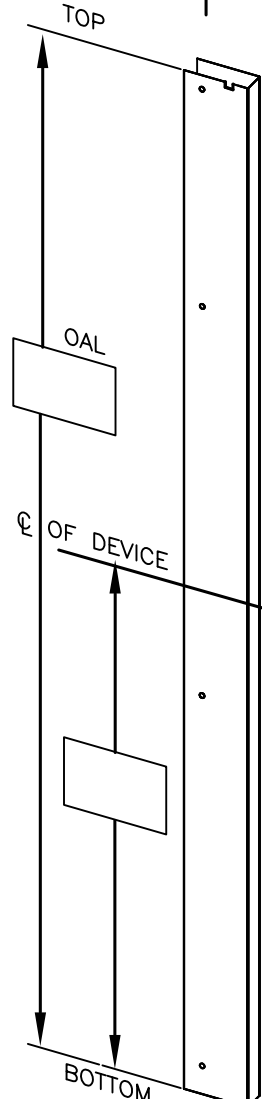
B/S 2-3/4"

**OUTSIDE TRIM**



700-6  
ET CONTROL

**NON-LISTED TRIM**  
Template must accompany Order



Labels: TOP, BOTTOM, OAL, OF DEVICE, RHR, LHR

10/28/14

# ALL METAL STAMPING, INC., ABBOTSFORD, WI. 54405

715-223-6324

FAX: 715-223-3352

AMS USE ONLY

## 5" CHANNEL - DORMA CVR's

CUSTOMER: \_\_\_\_\_ DOOR #: \_\_\_\_\_

P.O.: \_\_\_\_\_ DATE: \_\_\_\_\_

M.O.: \_\_\_\_\_

ACCESSORY ITEM #: \_\_\_\_\_

DOOR ITEM: \_\_\_\_\_ DRAWN BY: \_\_\_\_\_ DATE: \_\_\_\_\_

NO. of SETS REQ.: \_\_\_\_\_ DATE REQ.: \_\_\_\_\_

Std. Beige  Special Color: \_\_\_\_\_  No Paint

1-3/4" Door  1-13/16" Door  2-1/4" Door  Veneer: \_\_\_\_\_

Other \_\_\_\_\_  20 GA. Galv. (Std.)  Other \_\_\_\_\_

YES  NO OUTSIDE TRIM  YES  NO

Square

Square

RHR

LHR

RHR **DOUBLE EGRESS**  LHR  
Mark Outside Trim Above

### LATCH BRACKETS

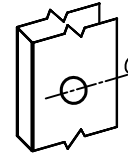
NONE

TOP ONLY

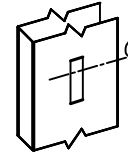
TOP & BOTTOM  
1-3/4" Door ONLY

**MODEL #264**  
**SERIES 9100**  
AS SHOWN  
B/S 2-3/4"

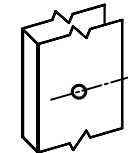
### OUTSIDE TRIM



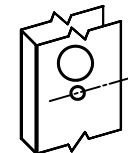
T-9122WD



T-9123WD



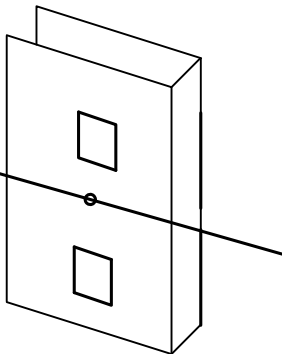
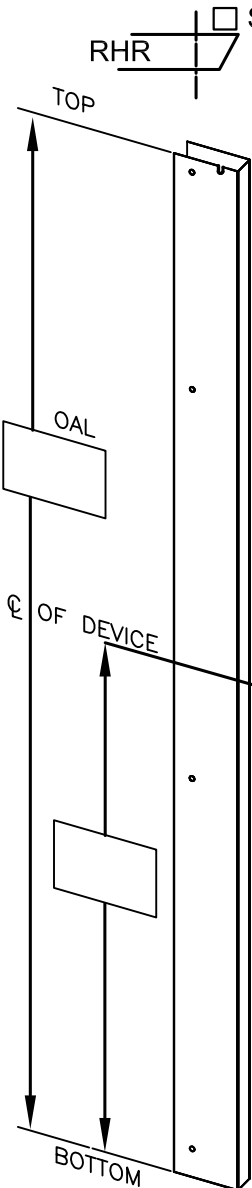
T-9124WD



T-9125WD

NON-LISTED TRIM

Template must accompany Order



1/21/15

# ALL METAL STAMPING, INC., ABBOTSFORD, WI. 54405

715-223-6324

FAX: 715-223-3352

AMS USE ONLY

## 5" CHANNEL - DORMA CVR's

CUSTOMER: \_\_\_\_\_ DOOR #: \_\_\_\_\_

P.O.: \_\_\_\_\_ DATE: \_\_\_\_\_

M.O.: \_\_\_\_\_

ACCESSORY ITEM #: \_\_\_\_\_

DOOR ITEM: \_\_\_\_\_ DRAWN BY: \_\_\_\_\_ DATE: \_\_\_\_\_

NO. of SETS REQ.: \_\_\_\_\_ DATE REQ.: \_\_\_\_\_

Std. Beige  Special Color: \_\_\_\_\_  No Paint

1-3/4" Door  1-13/16" Door  2-1/4" Door  Veneer: \_\_\_\_\_

Other \_\_\_\_\_  20 GA. Galv. (Std.)  Other \_\_\_\_\_

YES  NO OUTSIDE TRIM  YES  NO

Square

Square

RHR

LHR

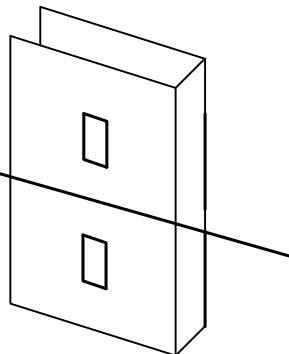
RHR **DOUBLE EGRESS**  LHR  
Mark Outside Trim Above

### LATCH BRACKETS

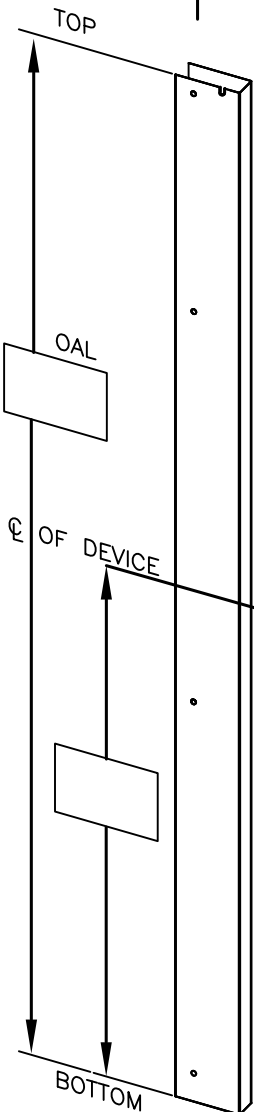
NONE

TOP ONLY

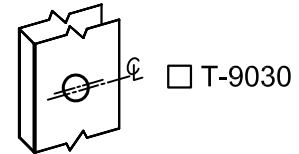
TOP & BOTTOM  
1-3/4" Door ONLY



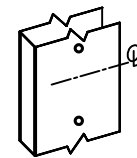
**MODEL #264A**  
**SERIES 9600**  
AS SHOWN  
B/S 2-3/4"



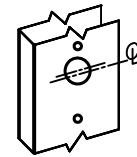
### OUTSIDE TRIM



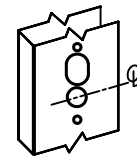
T-9030



T-9031



T-9032



T-9034

NON-LISTED TRIM

Template must accompany Order

10/28/14

# ALL METAL STAMPING, INC., ABBOTSFORD, WI. 54405

715-223-6324

FAX: 715-223-3352

AMS USE ONLY

## 5" CHANNEL - PRECISION CVR's



CUSTOMER: \_\_\_\_\_ DOOR #: \_\_\_\_\_

P.O.: \_\_\_\_\_ DATE: \_\_\_\_\_

M.O.: \_\_\_\_\_

ACCESSORY ITEM #: \_\_\_\_\_

DOOR ITEM: \_\_\_\_\_ DRAWN BY: \_\_\_\_\_ DATE: \_\_\_\_\_

NO. of SETS REQ.: \_\_\_\_\_ DATE REQ.: \_\_\_\_\_

Std. Beige  Special Color: \_\_\_\_\_  No Paint

1-3/4" Door  1-13/16" Door  2-1/4" Door  Veneer: \_\_\_\_\_

Other \_\_\_\_\_  20 GA. Galv. (Std.)  Other \_\_\_\_\_

YES  NO OUTSIDE TRIM  YES  NO

Square

Square

RHR

LHR

RHR **DOUBLE EGRESS**  LHR  
Mark Outside Trim Above

### TOP LATCH BRACKETS

YES  NO  
1-3/4" Door ONLY

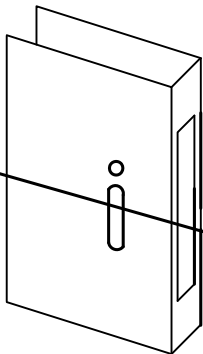
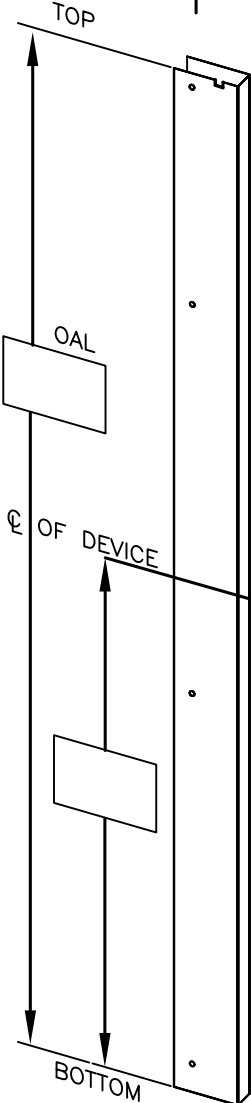
**MODEL #265**

**SERIES FL2700/2700**  
AS SHOWN  
B/S 2-1/2"

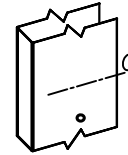
Based on  
Precision 2700A/2700B  
Revision "C" Templates

### Cover Plate Tabs

YES  NO

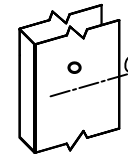


### OUTSIDE TRIM

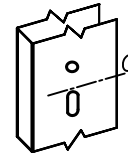


2001, 2002

1701, 4901  
1702, 4902  
(Not Shown)

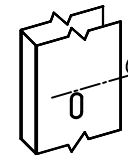


1703, 4903



1705, 4908  
V4908

2005  
(Not Shown)



1715, 4914

2015  
(Not Shown)

NON-LISTED TRIM

Template must accompany Order

10/28/14

# ALL METAL STAMPING, INC., ABBOTSFORD, WI. 54405

715-223-6324

FAX: 715-223-3352

AMS USE ONLY

## 5" CHANNEL - DORMA CVR's

CUSTOMER: \_\_\_\_\_ DOOR #: \_\_\_\_\_

P.O.: \_\_\_\_\_ DATE: \_\_\_\_\_

M.O.: \_\_\_\_\_

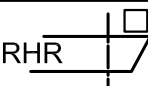
ACCESSORY ITEM #: \_\_\_\_\_

DOOR ITEM: \_\_\_\_\_ DRAWN BY: \_\_\_\_\_ DATE: \_\_\_\_\_

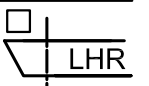
NO. of SETS REQ.: \_\_\_\_\_ DATE REQ.: \_\_\_\_\_

- Std. Beige    Special Color: \_\_\_\_\_    No Paint  
 1-3/4" Door    1-13/16" Door    2-1/4" Door    Veneer: \_\_\_\_\_  
 Other \_\_\_\_\_    20 GA. Galv. (Std.)    Other \_\_\_\_\_

YES    NO   **OUTSIDE TRIM**    YES    NO

Square  


RHR

Square  


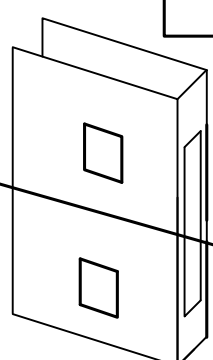
LHR

RHR **DOUBLE EGRESS**    LHR  
 Mark Outside Trim Above

**LATCH BRACKETS**

 NONE  
 TOP & BOTTOM  
 1-3/4" Door ONLY

**MODEL #266**  
**SERIES 5100**  
 AS SHOWN



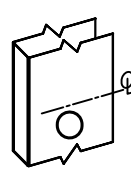
**Cover Plate Tabs**

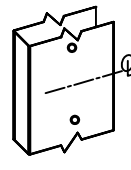
 YES    NO

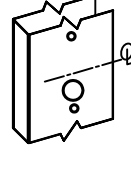
**BACKSETS 5100**

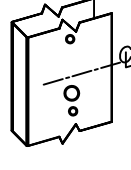
 2-1/8"    2-3/8"    2-3/4"  
 OTHER \_\_\_\_\_

**OUTSIDE TRIM**

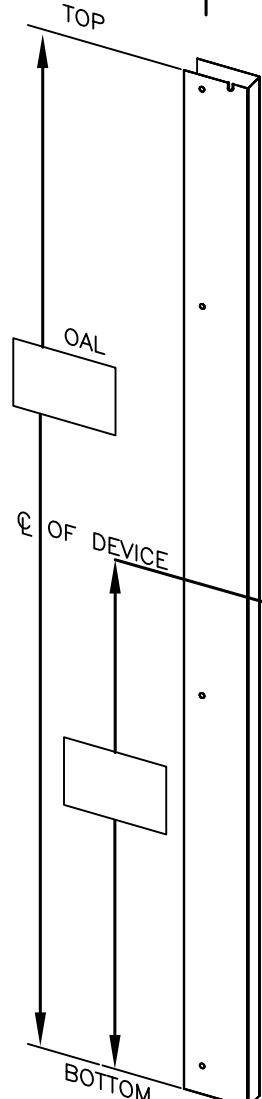

 T-2016


 T-2020


 T-2022


 T-2023

**NON-LISTED TRIM**  
 Template must accompany Order



Labels: TOP, BOTTOM, OAL, RHR, LHR, Q OF DEVICE

10/28/14

# ALL METAL STAMPING, INC., ABBOTSFORD, WI. 54405

715-223-6324

FAX: 715-223-3352

AMS USE ONLY

## 5" CHANNEL - VON DUPRIN CVR's

CUSTOMER: \_\_\_\_\_ DOOR #: \_\_\_\_\_

P.O.: \_\_\_\_\_ DATE: \_\_\_\_\_

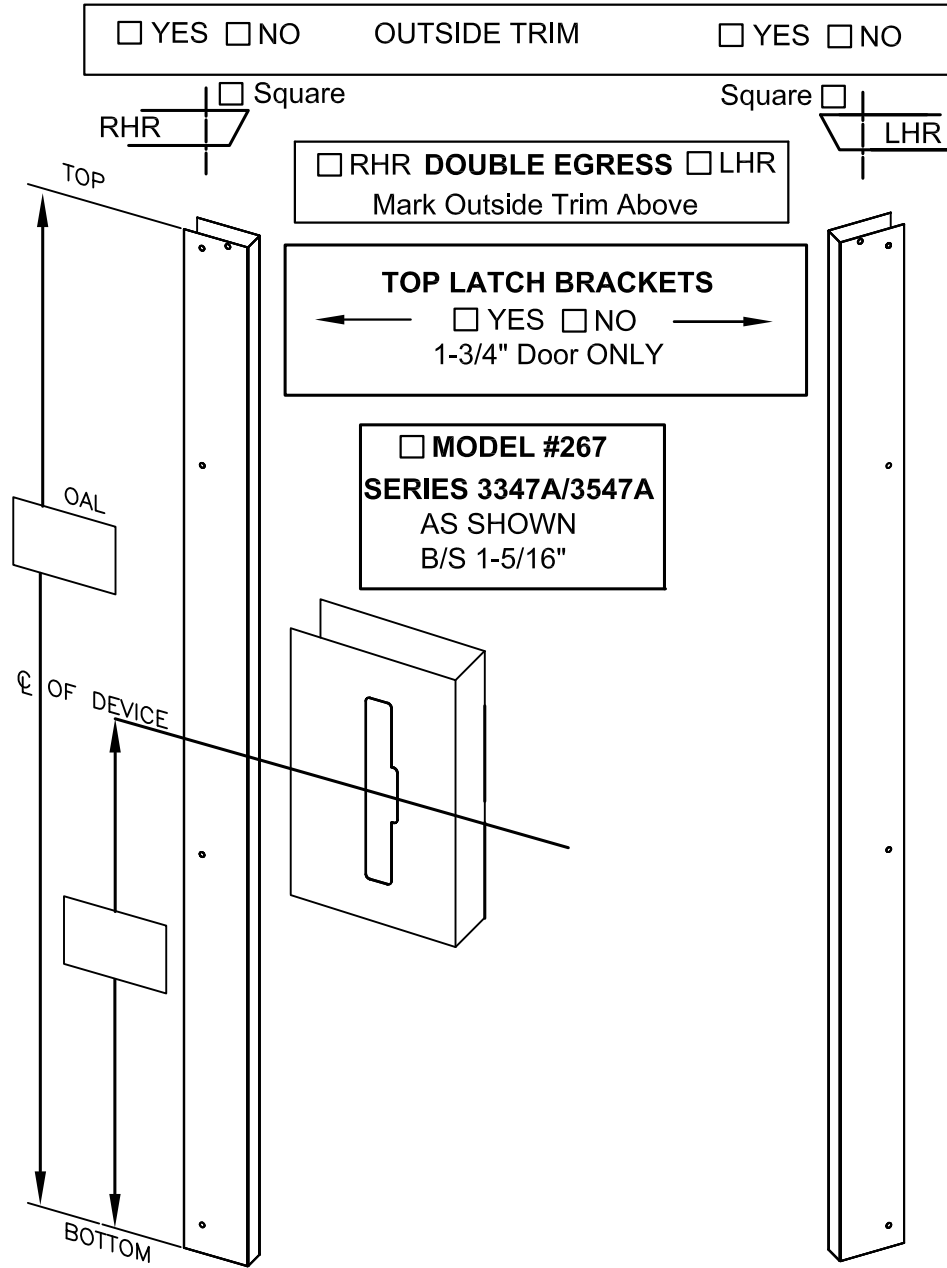
M.O.: \_\_\_\_\_

ACCESSORY ITEM #: \_\_\_\_\_

DOOR ITEM: \_\_\_\_\_ DRAWN BY: \_\_\_\_\_ DATE: \_\_\_\_\_

NO. of SETS REQ.: \_\_\_\_\_ DATE REQ.: \_\_\_\_\_

- Std. Beige    Special Color: \_\_\_\_\_    No Paint  
 1-3/4" Door    1-13/16" Door    2-1/4" Door    Veneer: \_\_\_\_\_  
 Other \_\_\_\_\_    20 GA. Galv. (Std.)    Other \_\_\_\_\_



**OUTSIDE TRIM**

360

376T  
 Thumbturn  
 Access Hole  
 YES

Use VD Scalp Plate

Cover Plate Tabs  
 NO

Complete dimension above

386NL

388NL

**NON-LISTED TRIM**  
 Template must accompany Order

1/21/15

# ALL METAL STAMPING, INC., ABBOTSFORD, WI. 54405

715-223-6324

FAX: 715-223-3352

AMS USE ONLY

## 5" CHANNEL - VON DUPRIN CVC's



CUSTOMER: \_\_\_\_\_ DOOR #: \_\_\_\_\_

P.O.: \_\_\_\_\_ DATE: \_\_\_\_\_

M.O.: \_\_\_\_\_

ACCESSORY ITEM #: \_\_\_\_\_

DOOR ITEM: \_\_\_\_\_ DRAWN BY: \_\_\_\_\_ DATE: \_\_\_\_\_

NO. of SETS REQ.: \_\_\_\_\_ DATE REQ.: \_\_\_\_\_

Std. Beige  Special Color: \_\_\_\_\_  No Paint

1-3/4" Door  1-13/16" Door  2-1/4" Door  Veneer: \_\_\_\_\_

Other \_\_\_\_\_  20 GA. Galv. (Std.)  Other \_\_\_\_\_

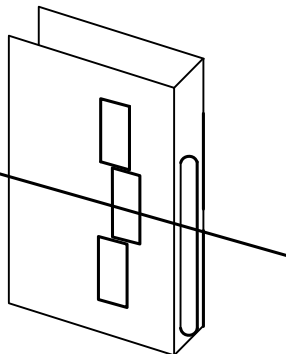
YES  NO OUTSIDE TRIM  YES  NO

Square  
RHR

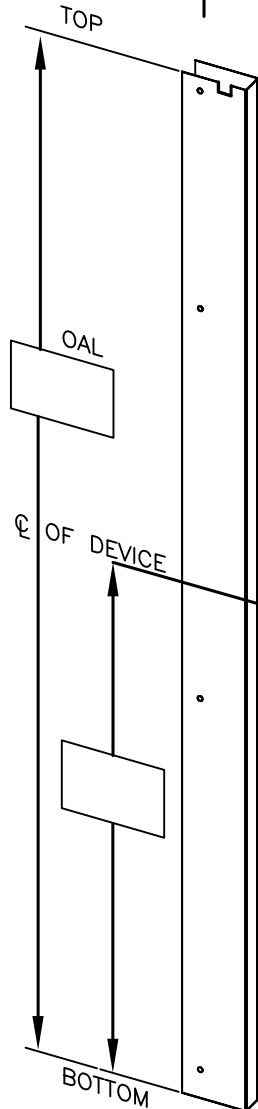
Square   
LHR

RHR **DOUBLE EGRESS**  LHR  
Mark Outside Trim Above

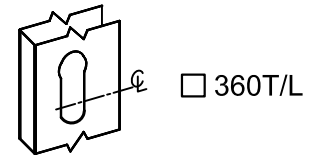
**LATCH BRACKETS**  
 NONE  
 TOP ONLY  
 TOP & BOTTOM  
1-3/4" Door ONLY



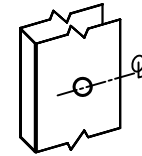
**MODEL #267A**  
**SERIES 3350A/3550A**  
AS SHOWN  
B/S 1-1/2"



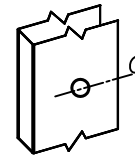
### OUTSIDE TRIM



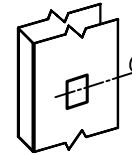
360T/L



360T-BE



386NL



388NL

**NON-LISTED TRIM**  
Template must accompany Order



1/15/20

# ALL METAL STAMPING, INC., ABBOTSFORD, WI. 54405

715-223-6324

FAX: 715-223-3352

AMS USE ONLY

## 5" CHANNEL - ASSA ABLOY CRL LHR/RHR

### Concealed Rod Lock

CUSTOMER: \_\_\_\_\_ DOOR #: \_\_\_\_\_

P.O.: \_\_\_\_\_ DATE: \_\_\_\_\_

M.O.: \_\_\_\_\_

ACCESSORY ITEM #: \_\_\_\_\_

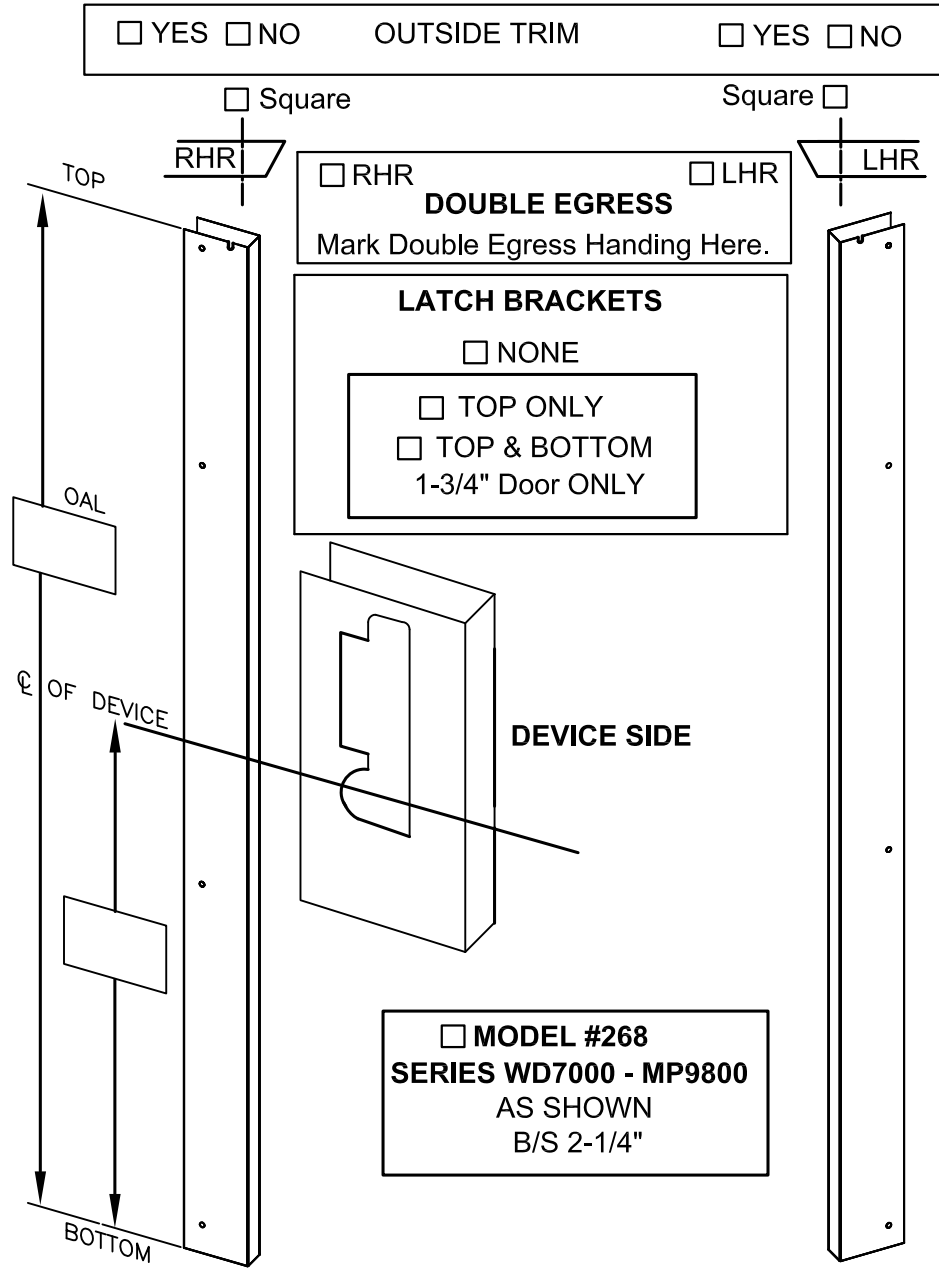
DOOR ITEM: \_\_\_\_\_ DRAWN BY: \_\_\_\_\_ DATE: \_\_\_\_\_

NO. of SETS REQ.: \_\_\_\_\_ DATE REQ.: \_\_\_\_\_

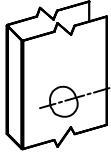
Std. Beige  Special Color: \_\_\_\_\_  No Paint

1-3/4" Door  1-13/16" Door  2-1/4" Door  Veneer: \_\_\_\_\_

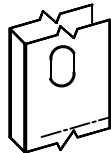
Other \_\_\_\_\_  20 GA. Galv. (Std.)  Other \_\_\_\_\_



**OUTSIDE TRIM**

  ET Control

ET Control  
w/ Electric Latch Retraction  
Sargent Template No. 4624F

  AUX Control

NON-LISTED TRIM  
Template must accompany Order

The diagram shows three different types of outside trim: ET Control, ET Control with Electric Latch Retraction, and AUX Control. Each type is accompanied by a small diagram showing its profile and a centerline. The ET Control with Electric Latch Retraction option includes a reference to Sargent Template No. 4624F. The NON-LISTED TRIM option requires a template to accompany the order.

1/15/20

# ALL METAL STAMPING, INC., ABBOTSFORD, WI. 54405

715-223-6324

FAX: 715-223-3352

AMS USE ONLY

## 5" CHANNEL - ASSA ABLOY CRL LH/RH

### Concealed Rod Lock



CUSTOMER: \_\_\_\_\_ DOOR #: \_\_\_\_\_

P.O.: \_\_\_\_\_ DATE: \_\_\_\_\_

M.O.: \_\_\_\_\_

ACCESSORY ITEM #: \_\_\_\_\_

DOOR ITEM: \_\_\_\_\_ DRAWN BY: \_\_\_\_\_ DATE: \_\_\_\_\_

NO. of SETS REQ.: \_\_\_\_\_ DATE REQ.: \_\_\_\_\_

Std. Beige  Special Color: \_\_\_\_\_  No Paint

1-3/4" Door  1-13/16" Door  2-1/4" Door  Veneer: \_\_\_\_\_

Other \_\_\_\_\_  20 GA. Galv. (Std.)  Other \_\_\_\_\_

YES  NO OUTSIDE TRIM  YES  NO

Square

Square

LH

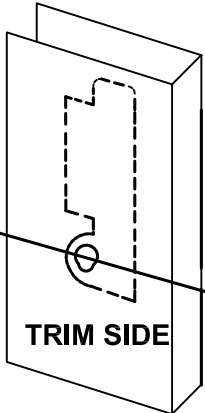
RH

LH  RH  
**DOUBLE EGRESS**  
Mark Double Egress Handing Here.

#### LATCH BRACKETS

NONE

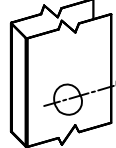
TOP ONLY  
 TOP & BOTTOM  
1-3/4" Door ONLY



ET Control shown

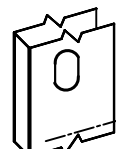
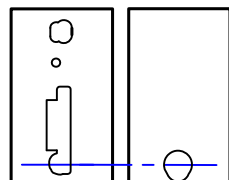
**MODEL #268**  
**SERIES WD7000 - MP9800**  
AS SHOWN  
B/S 2-1/4"

#### OUTSIDE TRIM



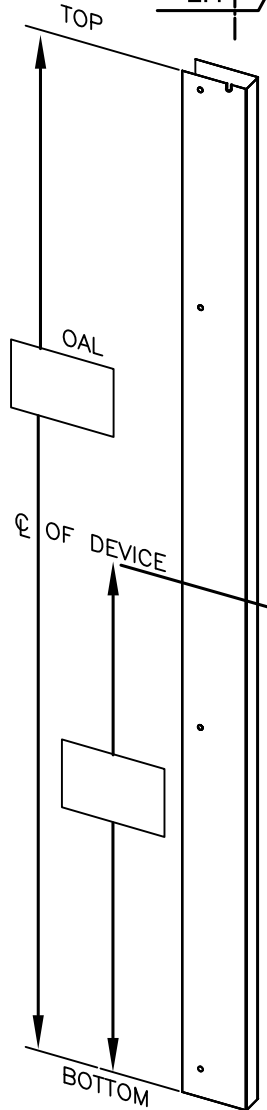
ET Control

ET Control  
w/ Electric Latch Retraction  
Sargent Template No. 4624F



AUX Control

NON-LISTED TRIM  
Template must accompany Order



6/18/15

# ALL METAL STAMPING, INC., ABBOTSFORD, WI. 54405

715-223-6324

FAX: 715-223-3352

AMS USE ONLY

## 5" CHANNEL - MONARCH/FALCON CENTERSLIDE CVR's

CUSTOMER: \_\_\_\_\_ DOOR #: \_\_\_\_\_

P.O.: \_\_\_\_\_ DATE: \_\_\_\_\_

M.O.: \_\_\_\_\_

ACCESSORY ITEM #: \_\_\_\_\_

DOOR ITEM: \_\_\_\_\_ DRAWN BY: \_\_\_\_\_ DATE: \_\_\_\_\_

NO. of SETS REQ.: \_\_\_\_\_ DATE REQ.: \_\_\_\_\_

Std. Beige  Special Color: \_\_\_\_\_  No Paint

1-3/4" Door  1-13/16" Door  2-1/4" Door  
 Other \_\_\_\_\_

Veneer: \_\_\_\_\_  
 20 GA. Galv. (Std.)  Other \_\_\_\_\_

YES  NO    OUTSIDE TRIM     YES  NO

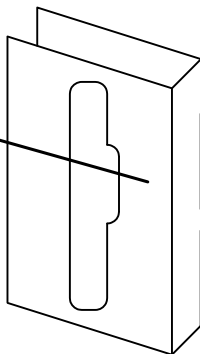
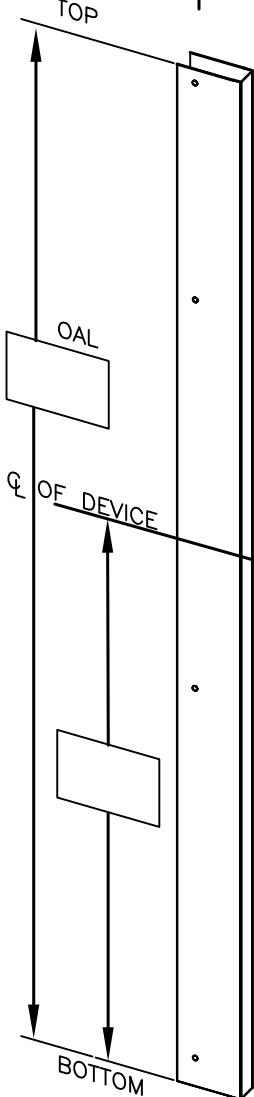
Square  
RHR

Square   
LHR

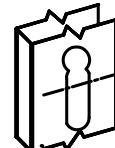
RHR **DOUBLE EGRESS**  LHR  
Mark Outside Trim Above

**MODEL #269**  
**SERIES (F)**  
**17/24/18/25/XX-C**  
AS SHOWN  
B/S 2-3/4"

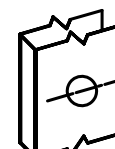
**Please Check One**  
 Series F-17-24  
Centerslide CVR  
Template W-1153-a  
or W-1380-a  
 Series F-18-25-XX  
Centerslide CVR  
Template W-1154-a  
or W-1281-a  
or W-1481-a



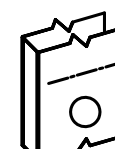
### OUTSIDE TRIM



L-Control  
W-2133-a  
W-2356-a  
W-2456-a



Delta Trim  
W-2144-a  
W-2355-a  
W-2455-a



25 Series Trim  
W-2201-a  
W-2202-a  
W-2203-a

NON-LISTED TRIM  
Template must accompany Order

10/28/14

# ALL METAL STAMPING, INC., ABBOTSFORD, WI. 54405

715-223-6324

FAX: 715-223-3352

AMS USE ONLY

## 5" CHANNEL - STANLEY CVR'S

### formally Black & Decker



CUSTOMER: \_\_\_\_\_ DOOR #: \_\_\_\_\_

P.O.: \_\_\_\_\_ DATE: \_\_\_\_\_

M.O.: \_\_\_\_\_

ACCESSORY ITEM #: \_\_\_\_\_

DOOR ITEM: \_\_\_\_\_ DRAWN BY: \_\_\_\_\_ DATE: \_\_\_\_\_

NO. of SETS REQ.: \_\_\_\_\_ DATE REQ.: \_\_\_\_\_

Std. Beige  Special Color: \_\_\_\_\_  No Paint

1-3/4" Door  1-13/16" Door  2-1/4" Door  Veneer: \_\_\_\_\_

Other \_\_\_\_\_  20 GA. Galv. (Std.)  Other \_\_\_\_\_

YES  NO OUTSIDE TRIM  YES  NO

Square

Square

RHR

LHR

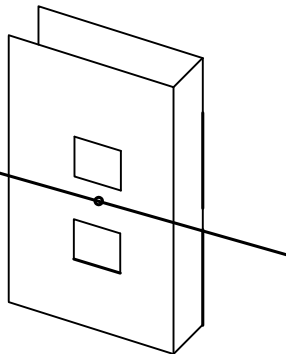
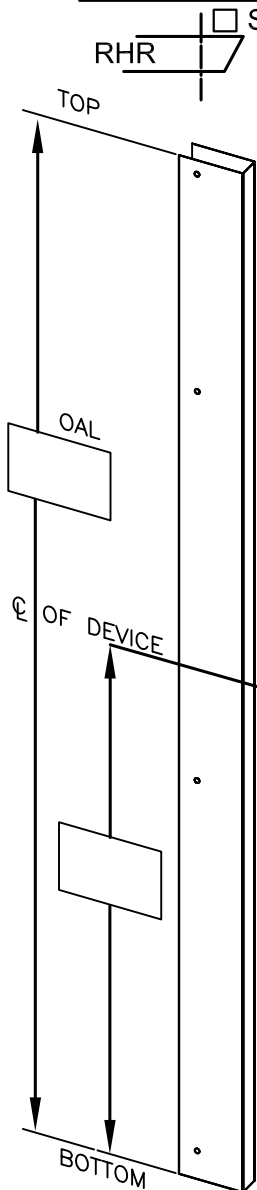
RHR **DOUBLE EGRESS**  LHR  
Mark Outside Trim Above

#### LATCH BRACKETS

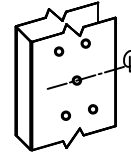
NONE

TOP ONLY  
 TOP & BOTTOM  
1-3/4" Door ONLY

**MODEL #270**  
**SERIES QED 100**  
AS SHOWN  
B/S 2-1/2"



#### OUTSIDE TRIM



QET Lever  
Trim

NON-LISTED TRIM  
Template must accompany Order

10/28/14

# ALL METAL STAMPING, INC., ABBOTSFORD, WI. 54405

715-223-6324

FAX: 715-223-3352

AMS USE ONLY

## 5" CHANNEL - HAGER CVR's

CUSTOMER: \_\_\_\_\_ DOOR #: \_\_\_\_\_

P.O.: \_\_\_\_\_ DATE: \_\_\_\_\_

M.O.: \_\_\_\_\_

ACCESSORY ITEM #: \_\_\_\_\_

DOOR ITEM: \_\_\_\_\_ DRAWN BY: \_\_\_\_\_ DATE: \_\_\_\_\_

NO. of SETS REQ.: \_\_\_\_\_ DATE REQ.: \_\_\_\_\_

- Std. Beige    Special Color: \_\_\_\_\_    No Paint  
 1-3/4" Door    1-13/16" Door    2-1/4" Door    Veneer: \_\_\_\_\_  
 Other \_\_\_\_\_    20 GA. Galv. (Std.)    Other \_\_\_\_\_

YES    NO   **OUTSIDE TRIM**    YES    NO

Square

RHR

Square

LHR

RHR **DOUBLE EGRESS**    LHR  
 Mark Outside Trim Above

**LATCH BRACKETS**  
 NONE  
 TOP ONLY  
 TOP & BOTTOM  
 1-3/4" Door ONLY

**MODEL #271**  
**SERIES 4500**  
 AS SHOWN  
 B/S 2-7/16"

**OUTSIDE TRIM**

45 CE & BE

45 DT

**NON-LISTED TRIM**  
 Template must accompany Order

10/28/14

# ALL METAL STAMPING, INC., ABBOTSFORD, WI. 54405

715-223-6324

FAX: 715-223-3352

AMS USE ONLY

## 5" CHANNEL - DETEX CVR's

CUSTOMER: \_\_\_\_\_ DOOR #: \_\_\_\_\_

P.O.: \_\_\_\_\_ DATE: \_\_\_\_\_

M.O.: \_\_\_\_\_

ACCESSORY ITEM #: \_\_\_\_\_

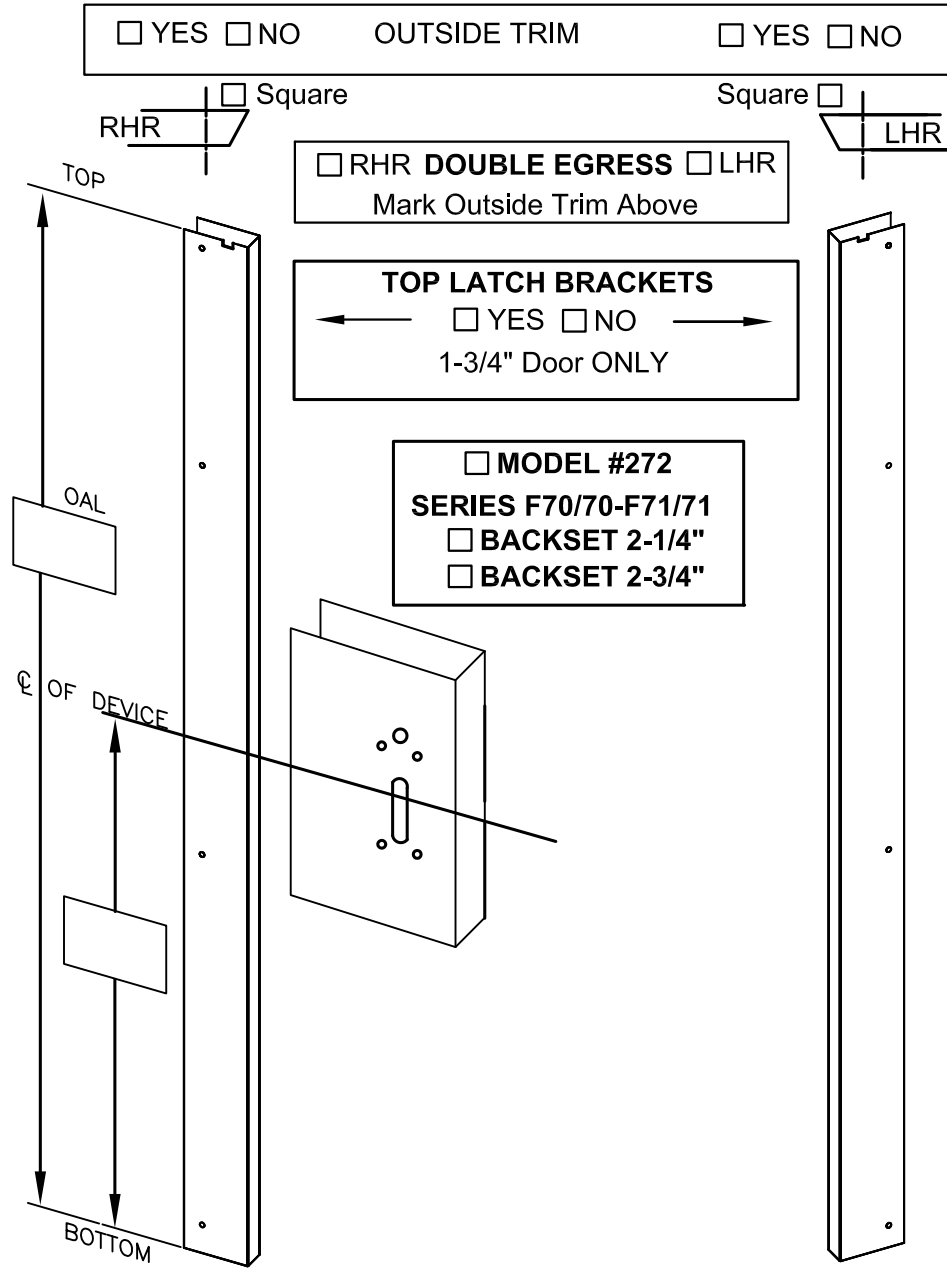
DOOR ITEM: \_\_\_\_\_ DRAWN BY: \_\_\_\_\_ DATE: \_\_\_\_\_

NO. of SETS REQ.: \_\_\_\_\_ DATE REQ.: \_\_\_\_\_

Std. Beige  Special Color: \_\_\_\_\_  No Paint

1-3/4" Door  1-13/16" Door  2-1/4" Door  Veneer: \_\_\_\_\_

Other \_\_\_\_\_  20 GA. Galv. (Std.)  Other \_\_\_\_\_



### OUTSIDE TRIM

T1112

T1113

T2336

T1152

T1039

T1167

**NON-LISTED TRIM**  
 Template must accompany Order

10/28/14

# ALL METAL STAMPING, INC., ABBOTSFORD, WI. 54405

715-223-6324

FAX: 715-223-3352

AMS USE ONLY

## 5" CHANNEL - CAL-ROYAL CVR's

CUSTOMER: \_\_\_\_\_ DOOR #: \_\_\_\_\_

P.O.: \_\_\_\_\_ DATE: \_\_\_\_\_

M.O.: \_\_\_\_\_

ACCESSORY ITEM #: \_\_\_\_\_

DOOR ITEM: \_\_\_\_\_ DRAWN BY: \_\_\_\_\_ DATE: \_\_\_\_\_

NO. of SETS REQ.: \_\_\_\_\_ DATE REQ.: \_\_\_\_\_

Std. Beige  Special Color: \_\_\_\_\_  No Paint

1-3/4" Door  1-13/16" Door  2-1/4" Door  Veneer: \_\_\_\_\_

Other \_\_\_\_\_  20 GA. Galv. (Std.)  Other \_\_\_\_\_

YES  NO OUTSIDE TRIM  YES  NO

Square

Square

RHR

LHR

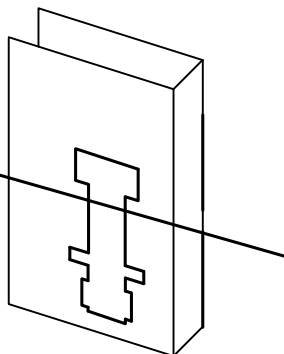
RHR **DOUBLE EGRESS**  LHR  
Mark Outside Trim Above

### LATCH BRACKETS

NONE

TOP ONLY

TOP & BOTTOM  
1-3/4" Door ONLY



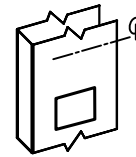
### MODEL #273 SERIES

W77CVR

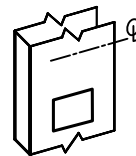
W98CVR

AS SHOWN  
B/S 2-3/4"

### OUTSIDE TRIM



Escutcheon  
Lever Trim  
CVRESC7700



Escutcheon  
Lever Trim  
CVRESC9800

NON-LISTED TRIM

Template must accompany Order

TOP

OAL

☉ OF DEVICE

BOTTOM

10/28/14

# ALL METAL STAMPING, INC., ABBOTSFORD, WI. 54405

715-223-6324

FAX: 715-223-3352

AMS USE ONLY

## 5" CHANNEL - LAWRENCE CVR'S

CUSTOMER: \_\_\_\_\_ DOOR #: \_\_\_\_\_

P.O.: \_\_\_\_\_ DATE: \_\_\_\_\_

M.O.: \_\_\_\_\_

ACCESSORY ITEM #: \_\_\_\_\_

DOOR ITEM: \_\_\_\_\_ DRAWN BY: \_\_\_\_\_ DATE: \_\_\_\_\_

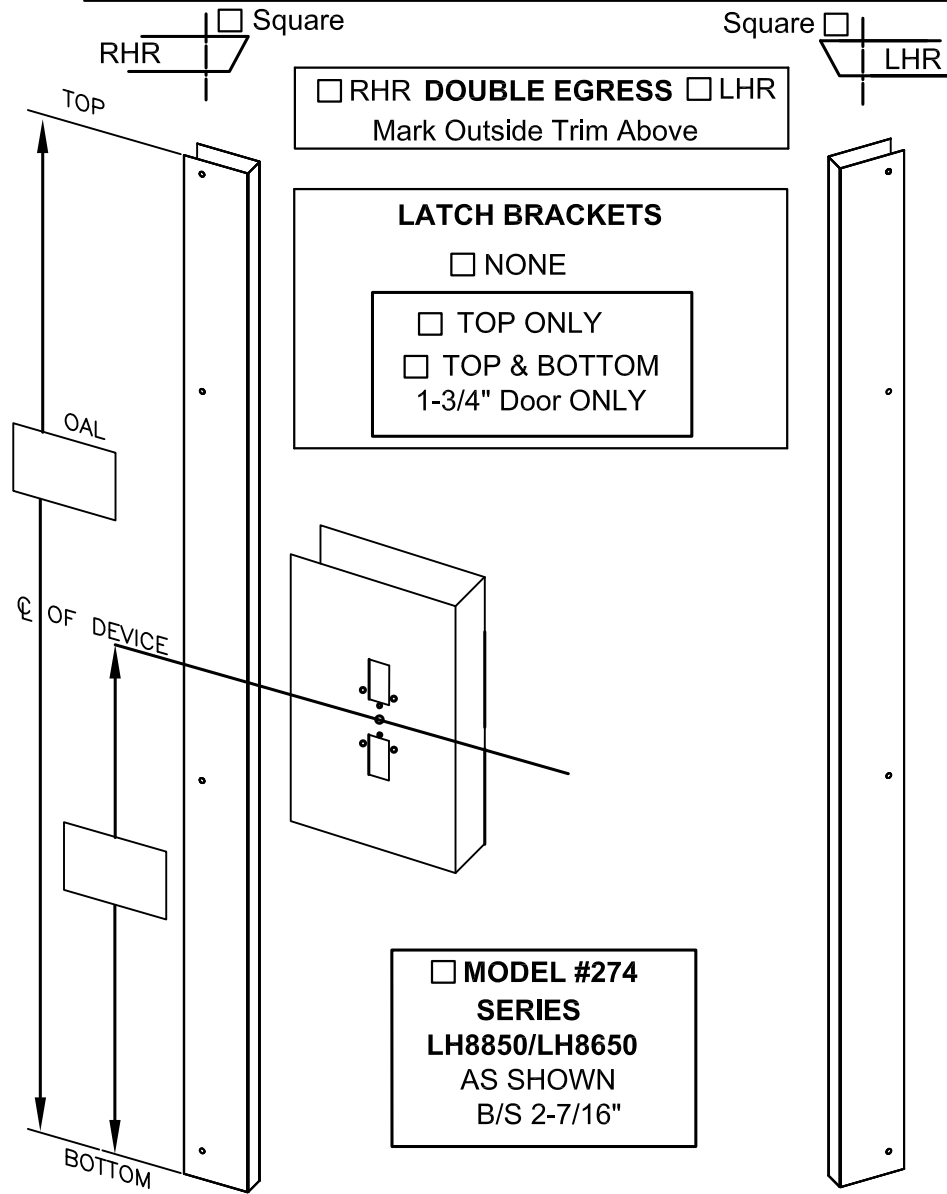
NO. of SETS REQ.: \_\_\_\_\_ DATE REQ.: \_\_\_\_\_

Std. Beige  Special Color: \_\_\_\_\_  No Paint

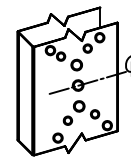
1-3/4" Door  1-13/16" Door  2-1/4" Door  Veneer: \_\_\_\_\_

Other \_\_\_\_\_  20 GA. Galv. (Std.)  Other \_\_\_\_\_

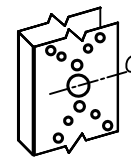
YES  NO OUTSIDE TRIM  YES  NO



### OUTSIDE TRIM



88/89L01  
CE/BE/DE  
Trim



88/89L01  
NL Trim

NON-LISTED TRIM  
Template must accompany Order



1/16/18

# ALL METAL STAMPING, INC., ABBOTSFORD, WI. 54405

715-223-6324

FAX: 715-223-3352

AMS USE ONLY

## 5" CHANNEL - SCHLAGE CRL LHR/RHR

CUSTOMER: \_\_\_\_\_ DOOR #: \_\_\_\_\_

P.O.: \_\_\_\_\_ DATE: \_\_\_\_\_

M.O.: \_\_\_\_\_

ACCESSORY ITEM #: \_\_\_\_\_

DOOR ITEM: \_\_\_\_\_ DRAWN BY: \_\_\_\_\_ DATE: \_\_\_\_\_

NO. of SETS REQ.: \_\_\_\_\_ DATE REQ.: \_\_\_\_\_

Std. Beige  Special Color: \_\_\_\_\_  No Paint

1-3/4" Door  1-13/16" Door  2-1/4" Door  Veneer: \_\_\_\_\_

Other \_\_\_\_\_  20 GA. Galv. (Std.)  Other \_\_\_\_\_

YES  NO OUTSIDE TRIM  YES  NO

Square

Square

RHR

LHR

RHR **DOUBLE EGRESS**  LHR  
Mark Outside Trim Above

### LATCH BRACKETS

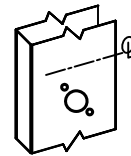
NONE

TOP ONLY  
 TOP & BOTTOM  
1-3/4" Door ONLY

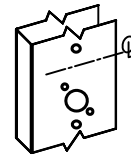
**DEVICE SIDE**

**MODEL #275  
SERIES  
LM9200  
AS SHOWN  
B/S 2-3/4"**

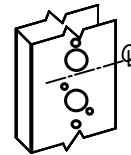
### OUTSIDE TRIM



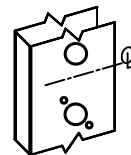
L928/L938  
Trim



L927/L937  
Trim



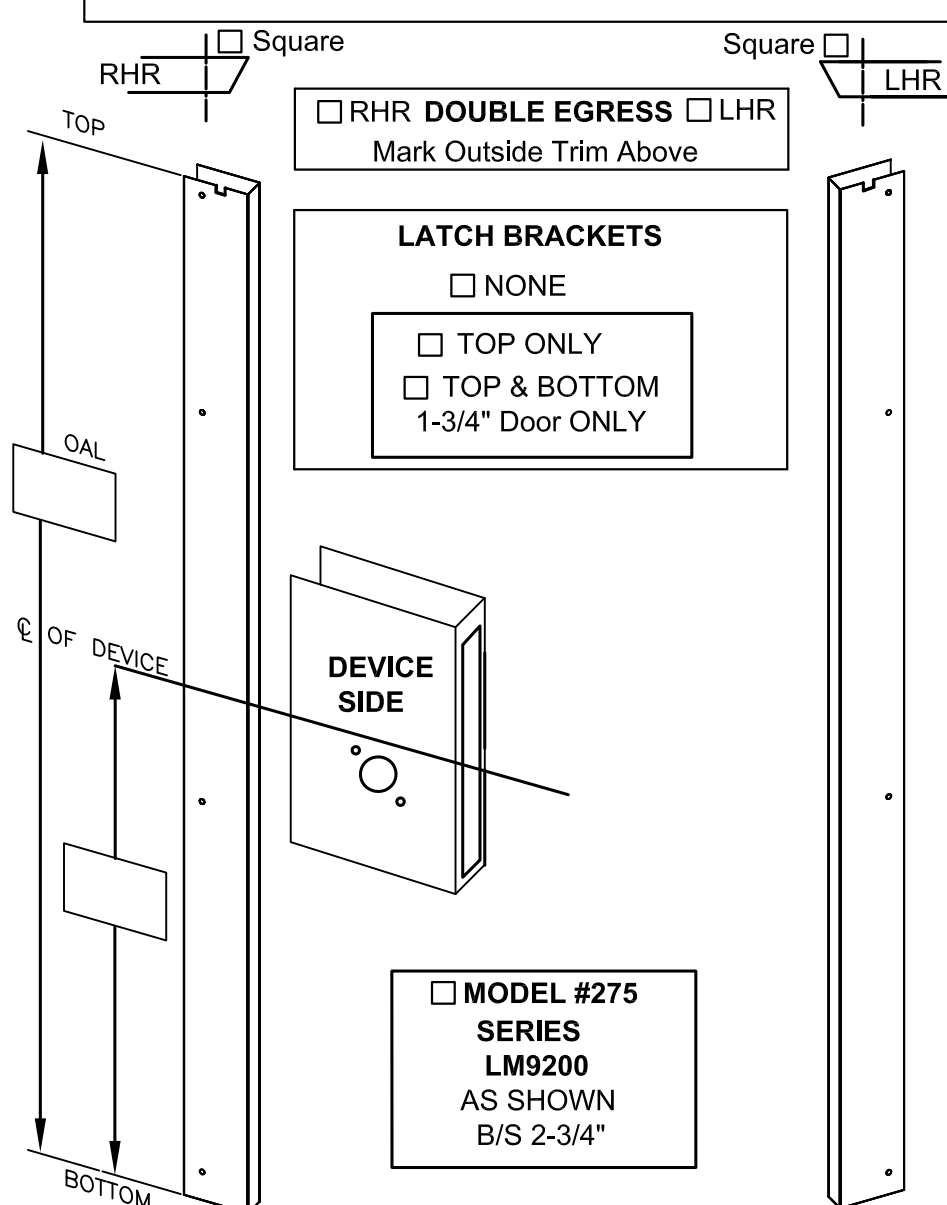
L931/L933  
 L935/L941  
 L939



L932  
 L934/L940  
 L936/L942

NON-LISTED TRIM

Template must accompany Order



1/16/18

# ALL METAL STAMPING, INC., ABBOTSFORD, WI. 54405

715-223-6324

FAX: 715-223-3352

## 5" CHANNEL - SCHLAGE CRL LH/RH

AMS USE ONLY

CUSTOMER: \_\_\_\_\_ DOOR #: \_\_\_\_\_

P.O.: \_\_\_\_\_ DATE: \_\_\_\_\_

M.O.: \_\_\_\_\_

ACCESSORY ITEM #: \_\_\_\_\_

DOOR ITEM: \_\_\_\_\_ DRAWN BY: \_\_\_\_\_ DATE: \_\_\_\_\_

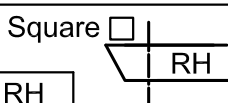
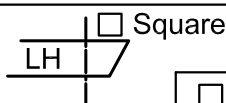
NO. of SETS REQ.: \_\_\_\_\_ DATE REQ.: \_\_\_\_\_

Std. Beige  Special Color: \_\_\_\_\_  No Paint

1-3/4" Door  1-13/16" Door  2-1/4" Door  
 Other \_\_\_\_\_

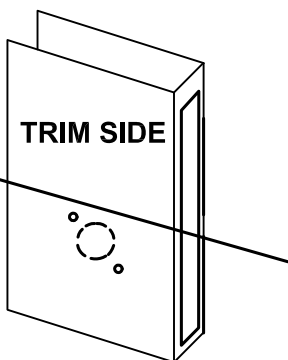
Veneer: \_\_\_\_\_  
 20 GA. Galv. (Std.)  Other \_\_\_\_\_

YES  NO OUTSIDE TRIM  YES  NO

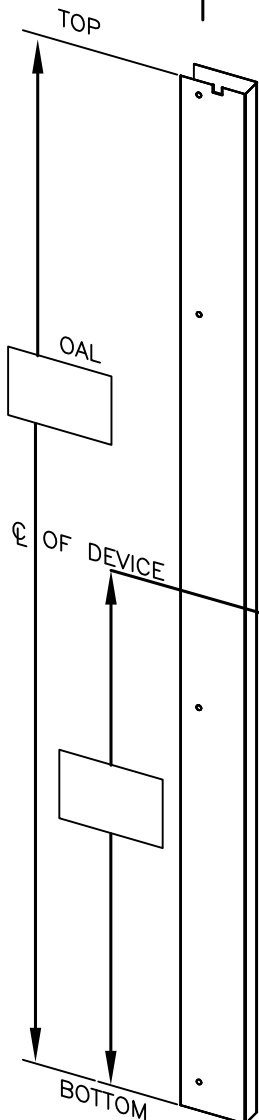


LH **DOUBLE EGRESS**  RH  
Mark Outside Trim Above

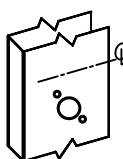
**LATCH BRACKETS**  
 NONE  
 TOP ONLY  
 TOP & BOTTOM  
1-3/4" Door ONLY

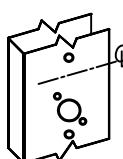


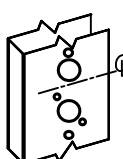
**MODEL #275**  
**SERIES**  
**LM9200**  
AS SHOWN  
B/S 2-3/4"

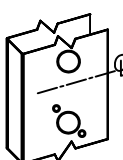


**OUTSIDE TRIM**

  L928/L938 Trim

  L927/L937 Trim

  L931/L933  
 L935/L941  
 L939

  L932  
 L934/L940  
 L936/L942

**NON-LISTED TRIM**  
Template must accompany Order

5/12/16

# ALL METAL STAMPING, INC., ABBOTSFORD, WI. 54405

715-223-6324

FAX: 715-223-3352

AMS USE ONLY

## 5" CHANNEL - PDQ CVR'S



CUSTOMER: \_\_\_\_\_ DOOR #: \_\_\_\_\_

P.O.: \_\_\_\_\_ DATE: \_\_\_\_\_

M.O.: \_\_\_\_\_

ACCESSORY ITEM #: \_\_\_\_\_

DOOR ITEM: \_\_\_\_\_ DRAWN BY: \_\_\_\_\_ DATE: \_\_\_\_\_

NO. of SETS REQ.: \_\_\_\_\_ DATE REQ.: \_\_\_\_\_

Std. Beige  Special Color: \_\_\_\_\_  No Paint

1-3/4" Door  1-13/16" Door  2-1/4" Door  Veneer: \_\_\_\_\_

Other \_\_\_\_\_  20 GA. Galv. (Std.)  Other \_\_\_\_\_

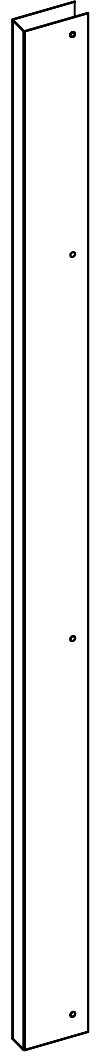
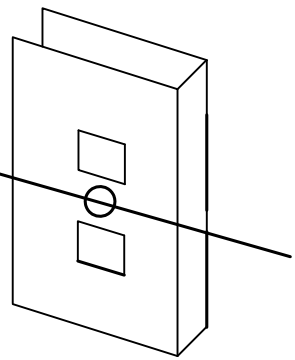
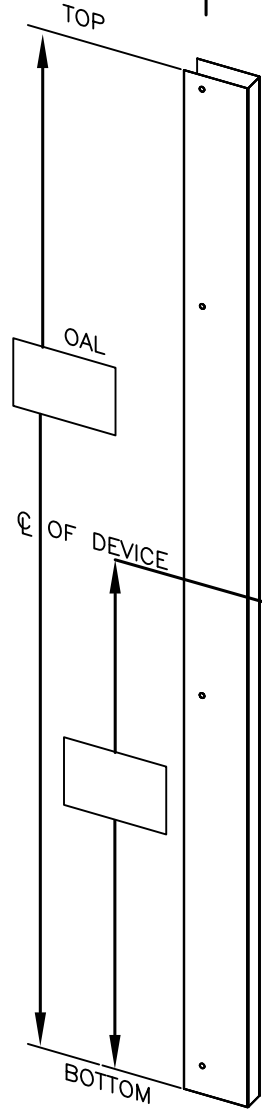
YES  NO OUTSIDE TRIM  YES  NO

Square RHR  Square LHR

RHR **DOUBLE EGRESS**  LHR  
Mark Outside Trim Above

**LATCH BRACKETS**  
 NONE  
 TOP ONLY  
 TOP & BOTTOM  
1-3/4" Door ONLY

**MODEL #276**  
**SERIES 6200CV(F)**  
AS SHOWN  
B/S 2-3/4"



### OUTSIDE TRIM

- 629LPEKFH/  
6EN Esc. Trim
- 629LPEKXEH  
Esc. Trim
- 6EW Esc.  
Esc. Trim
- 629/6S  
Sectional  
Trim
- 629GPK/  
6GW05  
GripTrim
- 629GPG/  
6GW02  
Grip Trim
- 629PUK/  
6P01 Plate &  
Pull Trim

**NON-LISTED TRIM**  
Template must accompany Order

8/3/16

# ALL METAL STAMPING, INC., ABBOTSFORD, WI. 54405

715-223-6324

FAX: 715-223-3352

AMS USE ONLY

## 5" CHANNEL - Corbin Russwin Multi Point Lock For Single Swing Doors

CUSTOMER: \_\_\_\_\_ DOOR #: \_\_\_\_\_

P.O.: \_\_\_\_\_ DATE: \_\_\_\_\_

M.O.: \_\_\_\_\_

ACCESSORY ITEM #: \_\_\_\_\_

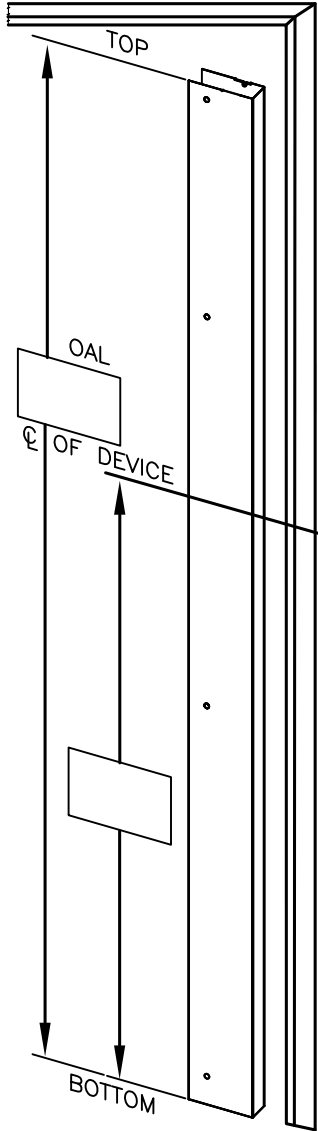
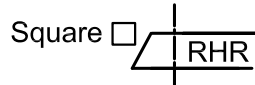
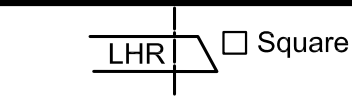
DOOR ITEM: \_\_\_\_\_ DRAWN BY: \_\_\_\_\_ DATE: \_\_\_\_\_

DATE REQ.: \_\_\_\_\_

Std. Beige  Special Color: \_\_\_\_\_  No Paint

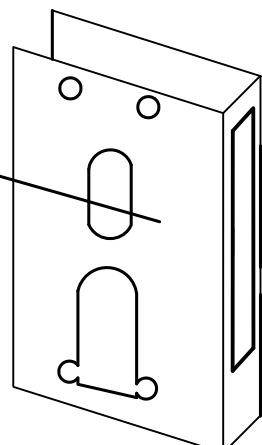
1-3/4" Door  1-13/16" Door  2-1/4" Door  Veneer: \_\_\_\_\_

Other \_\_\_\_\_  20 GA. Galv. (Std.)  Other \_\_\_\_\_



No. of Pcs. LHR \_\_\_\_\_ No. of Pcs. RHR \_\_\_\_\_

**Secured Side of Door**



**Wide Side. Key Side of Door.**

**MODEL #277.5**  
**SERIES FE6800**  
AS SHOWN  
B/S 2-3/4"

### OPTIONS

**Secured Side**

**Unsecured Side**

**FE6855**  
**Classroom**

**FE6810**  
**Passage or Closet**

**FE6880**  
**Lever with Blank Plate**

**NON-LISTED OPTION**  
Template must accompany Order

8/3/16

# ALL METAL STAMPING, INC., ABBOTSFORD, WI. 54405

715-223-6324

FAX: 715-223-3352

AMS USE ONLY

## 5" CHANNEL - Corbin Russwin Multi Point Lock For Single Swing Doors

CUSTOMER: \_\_\_\_\_ DOOR #: \_\_\_\_\_

P.O.: \_\_\_\_\_ DATE: \_\_\_\_\_

M.O.: \_\_\_\_\_

ACCESSORY ITEM #: \_\_\_\_\_

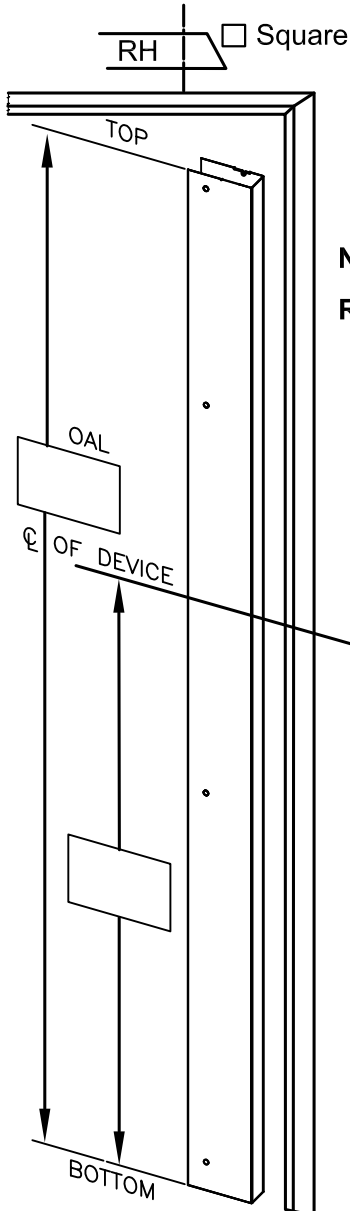
DOOR ITEM: \_\_\_\_\_ DRAWN BY: \_\_\_\_\_ DATE: \_\_\_\_\_

DATE REQ.: \_\_\_\_\_

Std. Beige  Special Color: \_\_\_\_\_  No Paint

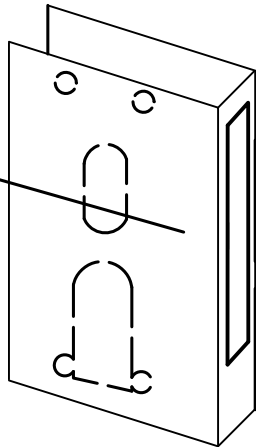
1-3/4" Door  1-13/16" Door  2-1/4" Door  
 Other \_\_\_\_\_

Veneer: \_\_\_\_\_  
 20 GA. Galv. (Std.)  Other \_\_\_\_\_



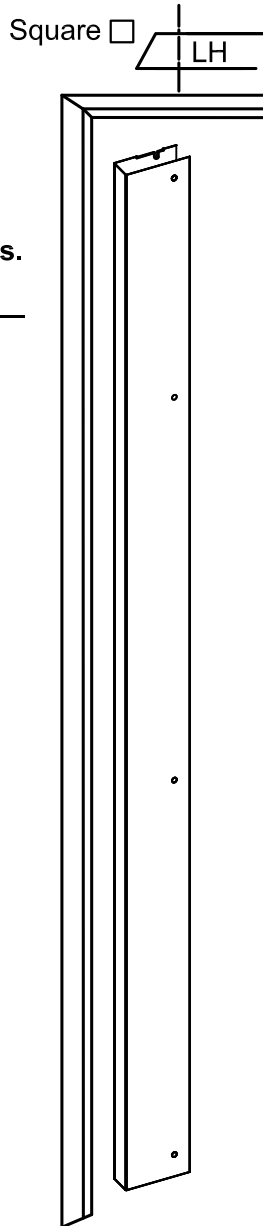
No. of Pcs. No. of Pcs.  
RH \_\_\_\_\_ LH \_\_\_\_\_

**Unsecured Side  
of Door**



**Wide Side.  
Non-keyed Side  
of Door.**

**MODEL #277.5  
SERIES FE6800  
AS SHOWN  
B/S 2-3/4"**



**OPTIONS**

**Secured Side**

**FE6855  
Classroom**

**Unsecured Side**

**FE6810  
Passage  
or Closet**

**FE6880  
Lever with  
Blank Plate**

**NON-LISTED OPTION**  
Template must accompany Order

# #250 DOOR EDGE w/5" LEGS - LH/RHR ACTIVE

CUSTOMER: \_\_\_\_\_

DOOR #: \_\_\_\_\_

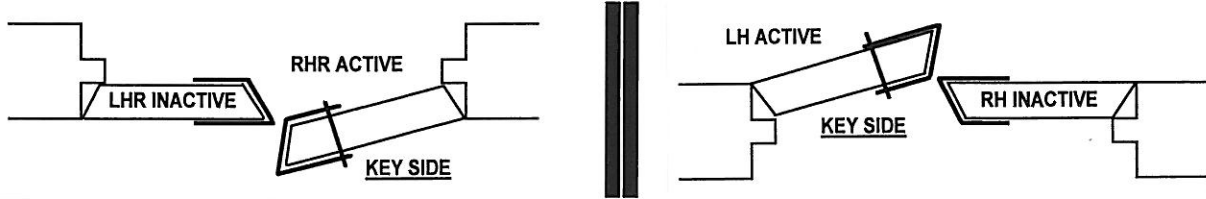
P.O.: \_\_\_\_\_ DATE: \_\_\_\_\_

M.O.: \_\_\_\_\_

ACCESSORY ITEM #: \_\_\_\_\_ DOOR ITEM: \_\_\_\_\_

NO. of SETS REQ.: \_\_\_\_\_ DATE REQ.: \_\_\_\_\_ DRAWN BY: \_\_\_\_\_ DATE: \_\_\_\_\_

STD. BEIGE  SPECIAL COLOR: \_\_\_\_\_  NO PAINT  VENEER: \_\_\_\_\_



SQUARE ←----- MARK FOR SQUARE CHANNEL ----->  SQUARE

**DOOR SIZE:**

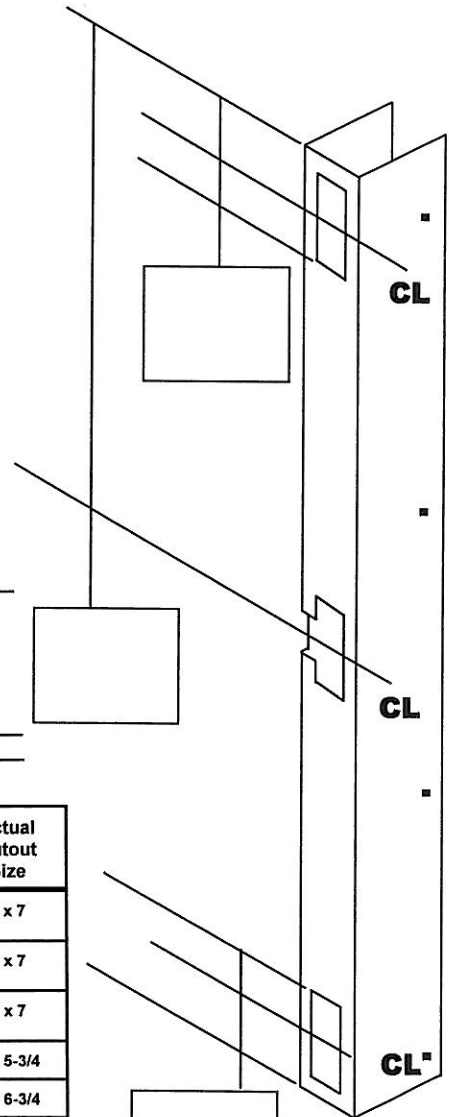
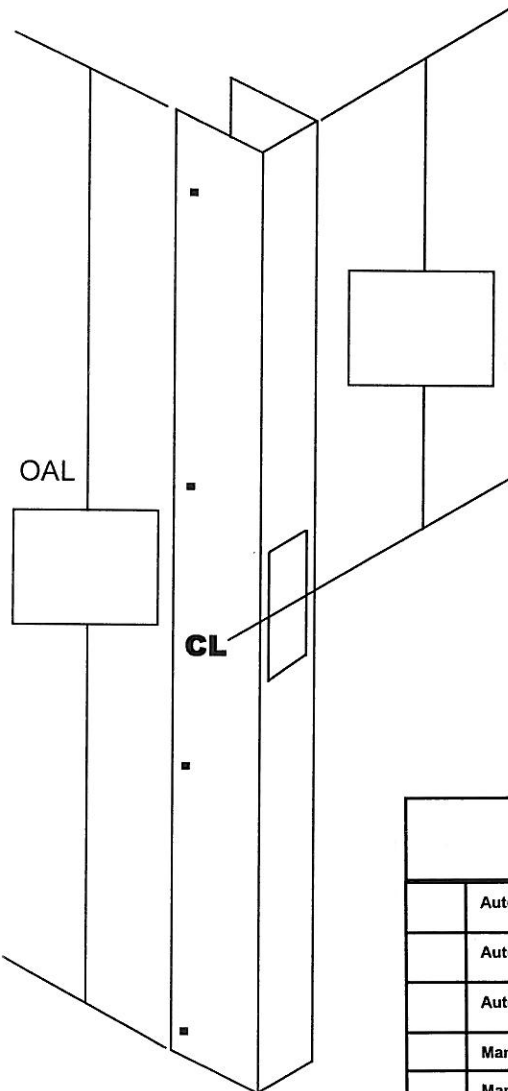
- 1-3/4"
- 1-13/16"
- 2-1/4"
- \_\_\_\_\_  
OTHER

**LOCK**

- 1-1/8 X 2-1/4
- 1-1/4 X 8
- TEMPLATE # \_\_\_\_\_

**STRIKE**

- 4-7/8 X 1-1/4 w/3-3/8 LIP
- 2-3/4 X 1-1/8 w/1-1/2 LIP
- TEMPLATE # \_\_\_\_\_



FLUSHBOLTS			Actual Cutout Size
Auto. 356	1 x 8-1/8 w/1/4 radius		1 x 7
Automatic	1 x 8-1/2 w/1/4 radius		1 x 7
Automatic	1 x 9 w/1/4 radius		1 x 7
Manual 358	1 x 6-3/4 w/sq. corners		1 x 5-3/4
Manual	1 x 6-3/4 w/sq. 12",24",etc. rod		1 x 6-3/4
Other			

# #250 DOOR EDGE w/5" LEGS - RH/LHR ACTIVE

CUSTOMER: \_\_\_\_\_

DOOR #: \_\_\_\_\_

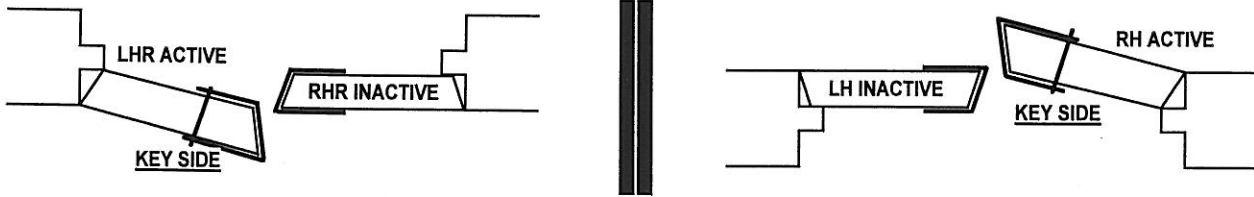
P.O.: \_\_\_\_\_ DATE: \_\_\_\_\_

M.O.: \_\_\_\_\_

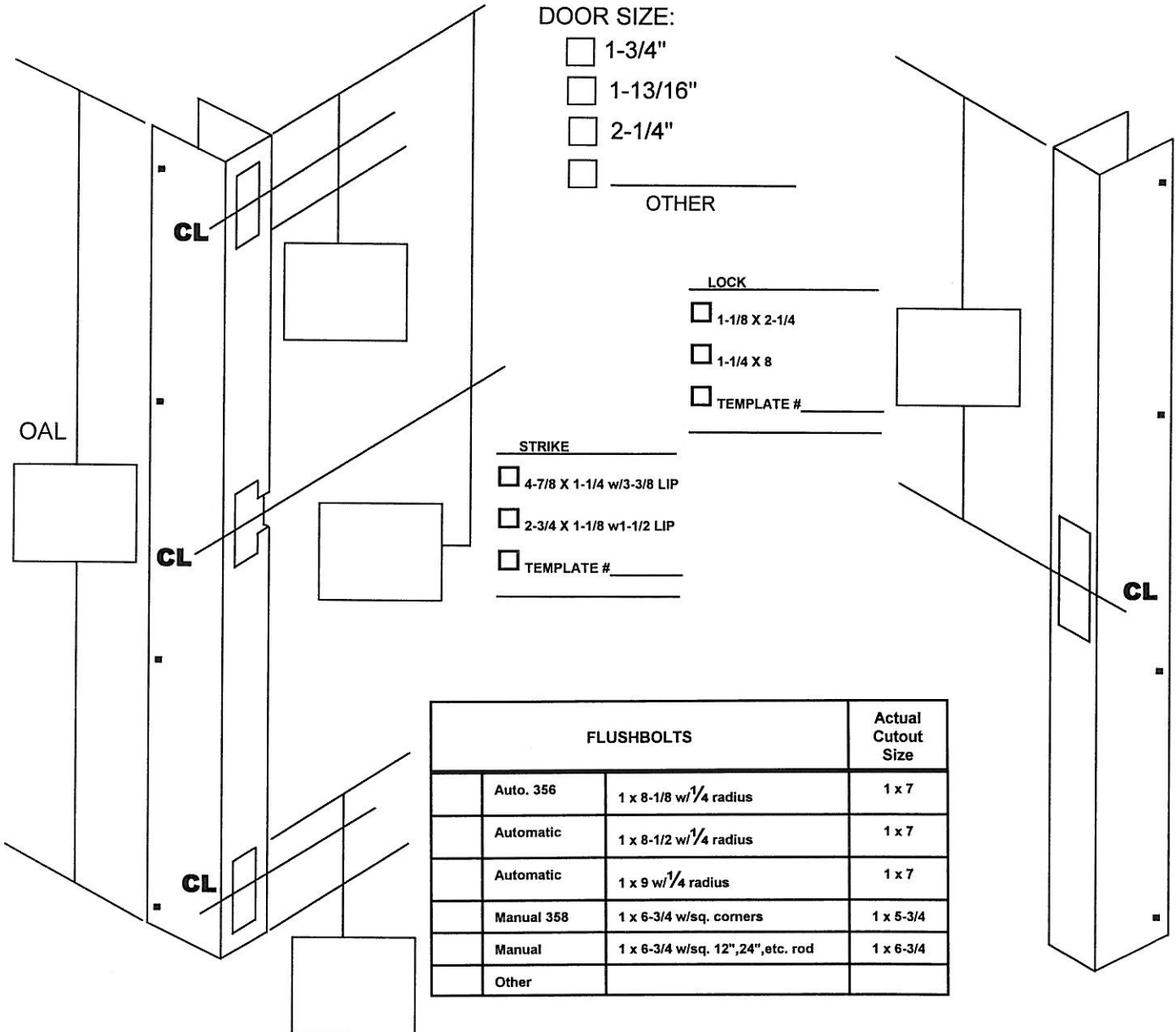
ACCESSORY ITEM #: \_\_\_\_\_ DOOR ITEM: \_\_\_\_\_

NO. of SETS REQ.: \_\_\_\_\_ DATE REQ.: \_\_\_\_\_ DRAWN BY: \_\_\_\_\_ DATE: \_\_\_\_\_

STD. BEIGE  SPECIAL COLOR: \_\_\_\_\_  NO PAINT  VENEER: \_\_\_\_\_



SQUARE ←----- MARK FOR SQUARE CHANNEL ----->  SQUARE



**DOOR SIZE:**

- 1-3/4"
- 1-13/16"
- 2-1/4"
- \_\_\_\_\_ OTHER

**LOCK**

- 1-1/8 X 2-1/4
- 1-1/4 X 8
- TEMPLATE # \_\_\_\_\_

**STRIKE**

- 4-7/8 X 1-1/4 w/3-3/8 LIP
- 2-3/4 X 1-1/8 w/1-1/2 LIP
- TEMPLATE # \_\_\_\_\_

FLUSHBOLTS		Actual Cutout Size
Auto. 356	1 x 8-1/8 w/1/4 radius	1 x 7
Automatic	1 x 8-1/2 w/1/4 radius	1 x 7
Automatic	1 x 9 w/1/4 radius	1 x 7
Manual 358	1 x 6-3/4 w/sq. corners	1 x 5-3/4
Manual	1 x 6-3/4 w/sq. 12", 24", etc. rod	1 x 6-3/4
Other		

12/20/13

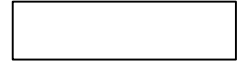
# ALL METAL STAMPING, INC., ABBOTSFORD, WI. 54405

715-223-6324

FAX: 715-223-3352

AMS USE ONLY

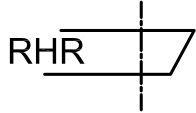
## 5" CHANNEL - FIRE PINS for CVR's



CUSTOMER: \_\_\_\_\_

P.O.: \_\_\_\_\_ DATE: \_\_\_\_\_

DRAWN BY: \_\_\_\_\_ DATE: \_\_\_\_\_



RHR **DOUBLE EGRESS**  LHR

