

FIRE RATED HARDWARE CATALOG

We provide innovative solutions to satisfy your fire door needs. With professional products that meet the highest commercial fire door industry standards, we are prepared to meet & exceed every expectation.



Numerous Frames
models & custom shapes

5" Channels for Concealed Vertical
Rod Devices and Metal Door Edges

Catalog Details

- Metal Vision Panel (MVPs) frames available for Wood, Composite, and Metal Doors
- Real wood veneer in numerous species/cuts
- STC sound reduction options
- Custom designs for bullet resistant applications
- Lead Lined options for clinical and X-ray
- Frames for various glass and door thickness.
- UL Fire Ratings up to 180 min
- Standard and Custom created Mullions
- Metal Edges and Astragals
- Fast Lead Times & Quick Ship Programs



715-223-6324 | 715-223-3352
fax

www.AllMetalStamping.com

411 West Spruce Street | Abbotsford, WI 54405-0485



Table of Contents

This catalog can be downloaded from our website at:
www.AllMetalStamping.com

Door Light Frames

#110/#110B Door Light Frame Specifications (Our Best Value)	3-4
UL Door Light Frame Listings	5-8
Hollow Metal Door Clips	9
Sound Sealing Option	10
Labeling Policy & Glazing Recommendations	11
Special Door Light Frames 115/117M/105M/105/118M/118/118MN/118N/118MW/ 118W/118MSP/118D	13-15
Mullions	16-19
Frames for Double & Triple Glazing, and Frames for Lead Lined Doors.....	20

Standard, "Quick Ship" & Stock List

Standard & "Quick Ship" Services.....	21
Stock Size Frame List	22

Edge & Astragal Sets and 5" Channels

UL Listed Door Edge & Astragal Sets.....	23
Door Edge & Astragal Specifications.....	24
UL Ratings for Door Edge & Astragals.....	25
5" Metal Channels for Concealed Vertical Rod Devices (CVR's)	26

Veneer Wrapped Products

Veneer Wrapped Frames, Edge & Astragals, and 5" Channels	27
--	----

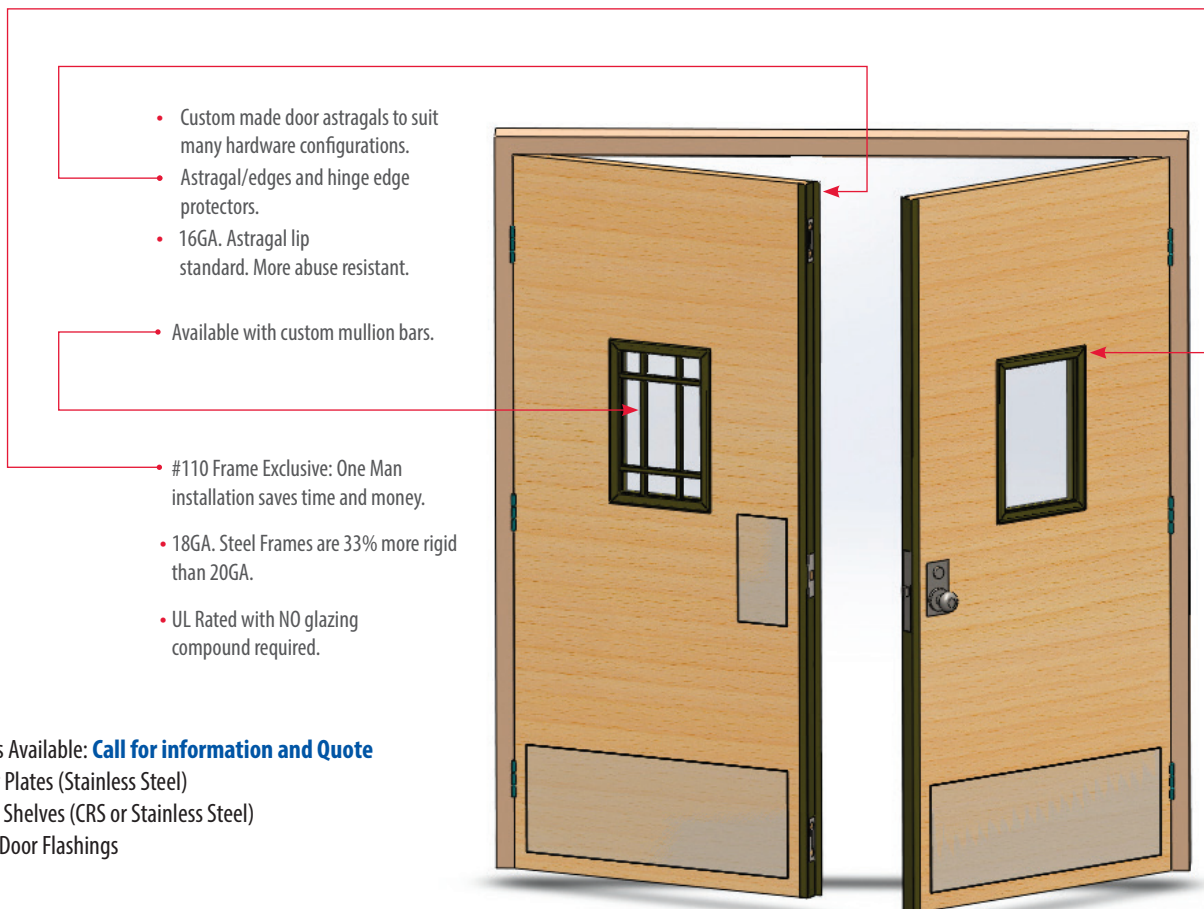
Conditions of Sale

Conditions of Sale	28
--------------------------	----

The Pricing Guide can be obtained by email, fax, or mail by contacting us at **715-223-6324**. We will send the guide to you as soon as possible.

Lead-time for standard product is 7-10 business days. Actual ship date will depend on our production schedule.

Refer to "Quick Ship" Services and Stock Size List for further details on page 21.



Other Items Available: **Call for information and Quote**

- Kick/Armor Plates (Stainless Steel)
- Dutch Door Shelves (CRS or Stainless Steel)
- Aluminum Door Flashings

Model 110 Low Profile Fire Door Light Frame

For standard 1 3/4" Door & 1/4" Glass and other applications

Meets UL10B requirements for NEUTRAL PRESSURE and UL10C for POSITIVE PRESSURE.

Refer to AMS Listing Specifications. Fire tested WITHOUT glazing compound, tape or intumescent.

ORDER INFORMATION:

Order size = Inside dimension of frame, (W+H)

Cutout size = Order size + 1 1/2"

Glass size = Order size + 3/4" (tolerance (+0/-1/16))

MATERIAL:

18 GA. CRS frame is standard.

- 33% thicker than 20 GA. frames.
- Maintains flat appearance.

FINISH:

Beige, gray or dark bronze polyester powder coating.

- Extremely durable
- Visually appealing

NARROW FACE FRAME:

- Better proportioned
- Visually appealing
- Suitable for wood, metal or mineral core doors.

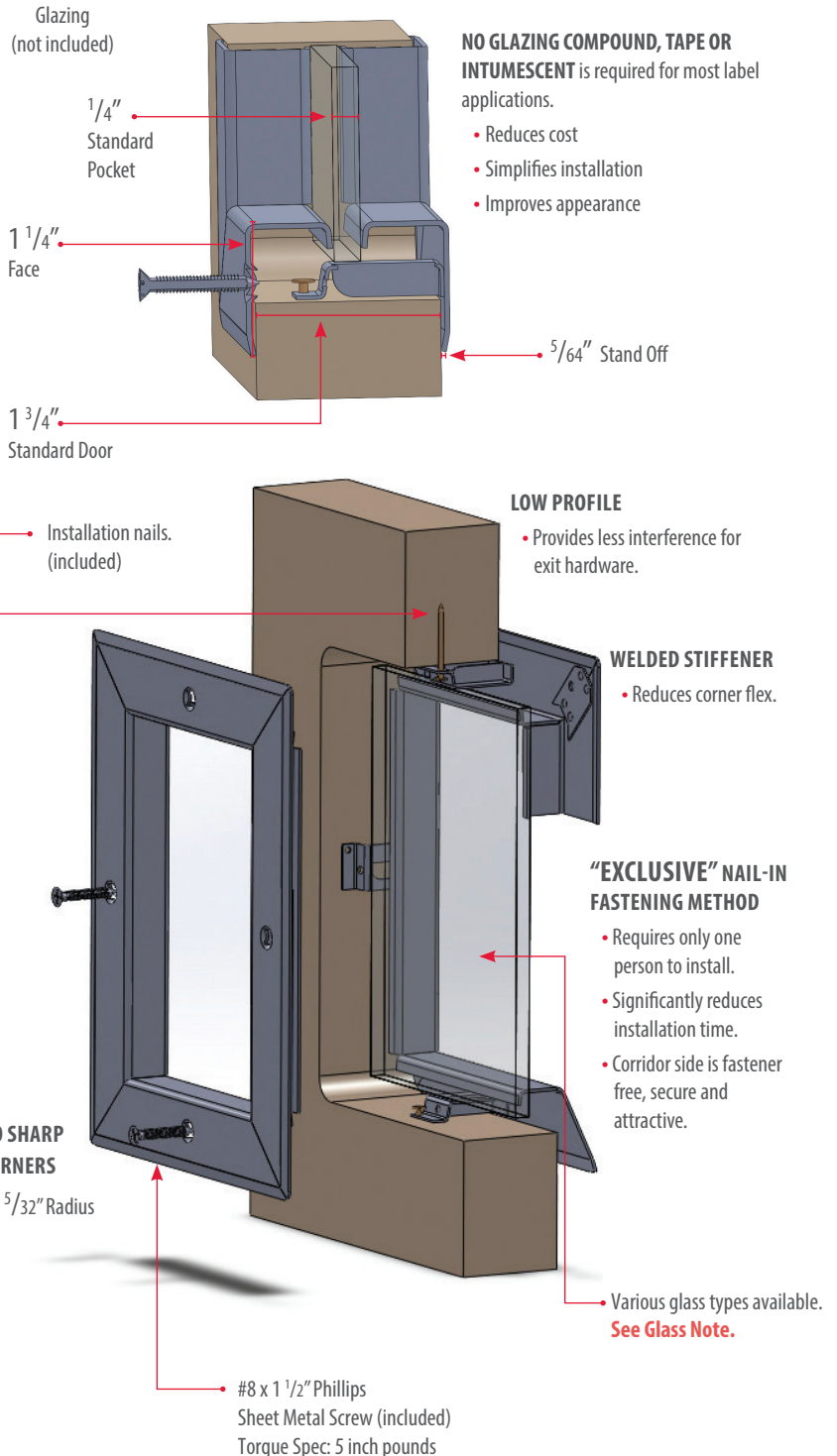
OPTIONS:

- 18 GA. Galvanized for exterior use.
- 18 GA. Stainless Steel for hospital and food service.
- Custom colors.
- Wood veneer wrapped in various species to match door.
- Maximum Glass pocket is 5/8" less than door thickness, up to 1 1/8" deep
- Available for a variety of glass or door thicknesses

MOUNTING HOLES:

- Less than 12", one hole centered.
- 12" or more, three inches maximum from corners
11 5/16" maximum centers.

GLASS NOTE: For all applications we recommend 5 inch pounds of torque on the screws to prevent glass breakage.



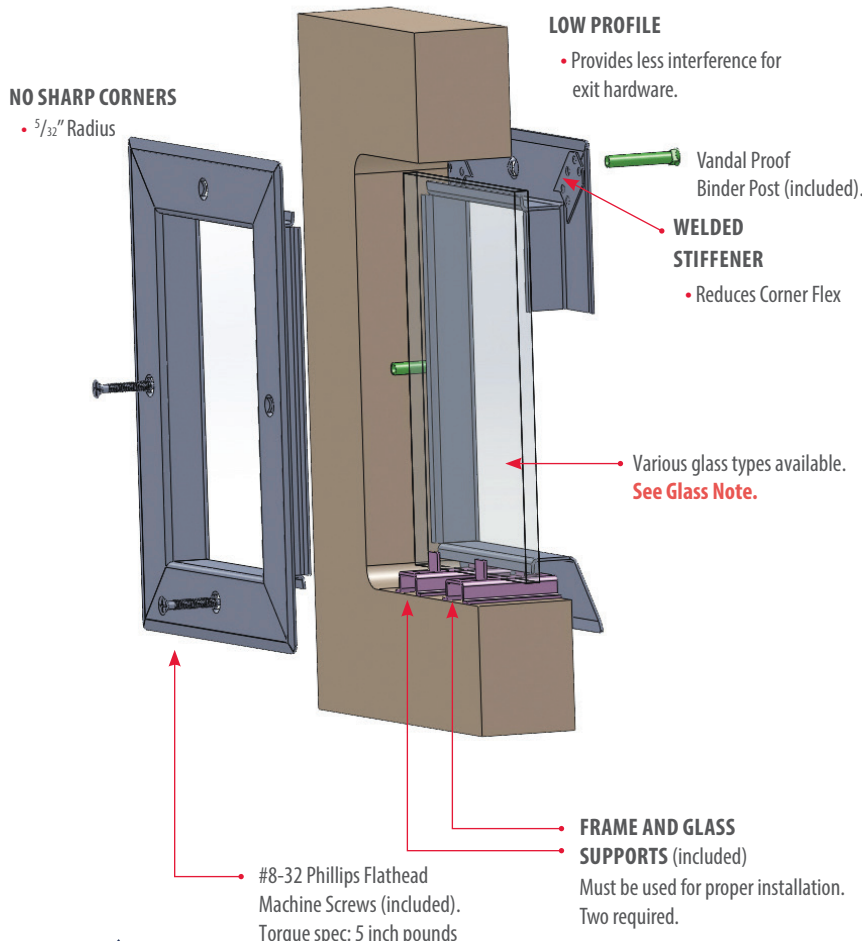
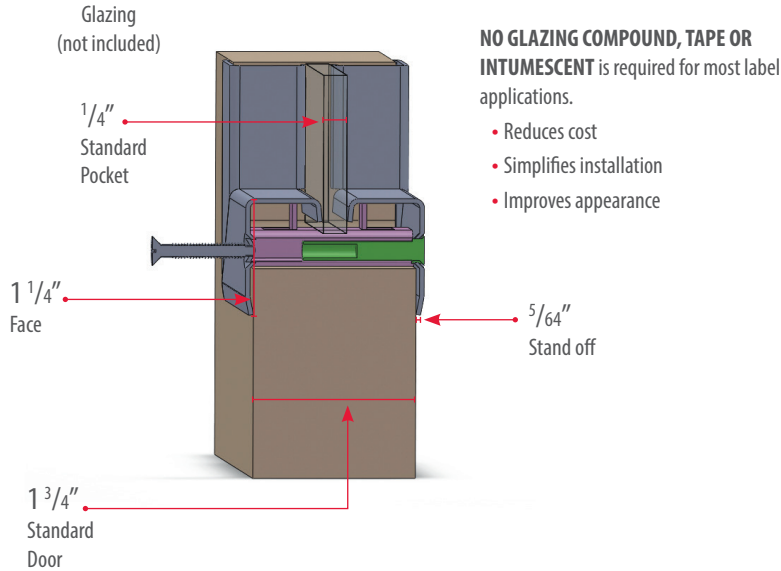
Model 110B Low Profile Fire Door Light Frame

For non-standard applications

Patent No. 8,156,699 B2
UL Listed

Meets UL10B requirements for NEUTRAL PRESSURE and UL10C for POSITIVE PRESSURE.

Refer to AMS Listing Specifications. Fire tested WITHOUT glazing compound, tape or intumescent.



Order size = Inside dimension of frame, (W+H)

Cutout size = Order size + 1 1/2"

Glass size = Order size + 3/4" (Tolerance +0/-1/16")

MATERIAL:

18 GA. CRS frame is standard.

- 33% thicker than 20 GA. frames.
- Maintains flat appearance.

FINISH:

Beige, gray or dark bronze polyester powder coating.

- Extremely durable
- Visually appealing

NARROW FACE FRAME:

- Better proportioned
- Visually appealing
- Suitable for wood, metal or mineral core doors.

OPTIONS:

- 18 GA. Galvanized for exterior use.
- 18 GA. Stainless Steel for hospital and food service.
- Custom colors.
- Wood veneer wrapped in various species to match door.
- Available for a variety of glass and door thicknesses.
- Maximum glass pocket is 5/8" less than door thickness, up to 1 1/8" deep.

MOUNTING HOLES:

- Less than 12", one hole centered.
- 12" or more, three inches maximum from corners
11 5/16" maximum centers.

GLASS NOTE: For all applications we recommend 5 inch pounds of torque on the screws to prevent glass breakage.



Underwriters Laboratories Listings

NOTE: The International Building Codes (IBC) no longer allows use of glass in doors that is not safety rated. The listings below includes glasses that are not safety rated. It is the Purchasers responsibility to make sure the glass you are using is approved in the jurisdiction in which it will be installed. CPSC ratings are included for your information.

Listings below are for Positive Pressure Rated (UL10C) openings for Styles listed below. Neutral Pressure (UL10 B) listings are available by contacting Customer Service.

We can provide Fire Rated Frames that meet the requirements in UL's Fire Protection Rated Glazing Materials Category (KCMZ), or glazing which has approval for conformance to ANSI/UL 10B, ANSI/UL 10C, NFPA80, NFPA252, OR CAN/ULC S104. Contact us if you have a glass that we do not have listed.

Door Types: Hollow Metal type, Composite type, and Wood Core type Fire Doors.

Frame Styles	Glass Type	Rating	Max. Size Sq. Inches	Max. Width	Max. Height	Glass Thickness	Pocket Thickness	Tape Required	CPSC Rating	Other Restrictions	
110,110B, 117M,118,118M	FireGlass 20*	20 NH	1296	36	54	1/4*	Same	None	CAT I & II		
	Pyrodur 20-104					5/16	3/8		CAT I		
	Pyran S					3/16	1/4		None		
	FireLite					5/16	3/8		None		
	FireLite NT								CAT I & II		
	FireLite Plus								CAT I & II		
SuperLite I-W	20 NH	1296	54	54	1/4			Same	None	CAT I & II	
SuperLite 20*						CAT I & II					
New-Wire						None					
Safe-Wire						CAT I & II					
Labeled Wired Glass						None					
WireLite						None					
WireLite NT	CAT I & II										
118N ,118MN	Contraflam 30	20 NH	1296	35.8125	54	13/16	Same	None	CAT I & II		
	Pyrodur 20-250,260,280,350,360,380			47.1250	54	15/16			CAT II		
110,110B, 117M,118,118M	Pyrodur 20-200	20 NH	1296	47.1250	54	3/8	Same	None	CAT I		
	PyroSwiss 20*			47.5000	54	1/4			CAT I & II		
110,110B, 117M,118,118M	Pyroguard	20 NH	1404	28	62	5/16	7/16	FG3000S45	CAT I		
	Pyrodur 20-104			1944	36						54
110,110B, 117M,118,118M	SuperLite 20*	20 NH	2678	109	109	1/4	3/8	1/16 PVC Tape	CAT I & II	Hollow Metal Door Wood Door	
	SuperLite 20*			2719	77.1250						77.1250
	Safe-Wire			2994	35.7500						92
	FireGlass 20*			3204	36						89
	PyroSwiss 20*			3419	47.5000						95.5000
118N ,118MN	Contraflam 30	20 NH	3419	35.8125	95.5000	13/16	15/16	1/16 PVC Tape	CAT I & II		
	Pyrodur 20-250,260,280,350,360,380			4477	47.1250	89.7500	15/16	1-1/16			FG3000S45
110,110B, 117M,118,118M	Pyran S	20 NH	3204	36	89	3/16	5/16	FG3000S45	None		
	FireLite								CAT I & II		
	FireLite NT					5/16	7/16		CAT I & II		
	FireLite Plus										
110,110B, 117M,118,118M	SuperLite I-W	20 NH	3289	35.7500	92	1/4	3/8	FG3000S45	1/16 PVC Tape	Hollow Metal Door	
	Labeled Wired Glass								CAT I & II		
	New-Wire								None		
	WireLite								CAT I & II		
	WireLite NT								CAT I & II		
110,110B, 117M,118,118M	SuperLite XL ¹	20-45 NH	3341	35.1250	96	1/4	3/8	1/16 PVC Tape	CAT I & II	¹ Requires Approval of AHJ	
	Fireswiss LAM20	20 NH	4608	48	96	7/16	9/16				
118W,118MW	SuperLite XL IGU ¹	20-45 NH	3341	35.1250	96	1" Std.	1-1/4	1/8 PVC Tape	CAT I & II	¹ Requires Approval of AHJ	
118N ,118MN	SuperLite XL IGU ¹					3/4	1				
110,110B,115, 117M,118,118M	Labeled Wired Glass	20-45	1296	54	54	1/4	Same	None	None		
	Protect3 Safety Glass (Wired)								CAT I & II		
	New-Wire								None		
	Safe-Wire								CAT I & II		
	WireLite								None		
	WireLite NT					CAT I & II					
	SuperLite I-W					5/16	3/8		CAT I & II		
110,110B,117M, 118,118M	Labeled Wired Glass	20-45	2856	34	84	1/4	3/8	FG3000S45	None	Hollow Metal Door ONLY	
	Protect3 Safety Glass (Wired)								CAT I & II		
	New-Wire								None		
	WireLite								None		
	WireLite NT					CAT I & II					
SuperLite I-W	5/16	7/16	1/16 PVC Tape	CAT I & II							
110,110B,117M, 118,118M	Safe-Wire	20-45	2856	34	84	1/4	3/8	FG3000S45	CAT I & II		
110,110B,117M, 118,118M	Labeled Wired Glass	20-45	960	12	80	1/4	3/8	FG3000S45	None	Wood Door ONLY	
	Protect3 Safety Glass (Wired)								CAT I & II		
	New-Wire								None		
	WireLite								None		
	WireLite NT								CAT I & II		
110,110B,115, 117M,118,118M	Keralite FR-R	20-45	1296	46.500	54	3/16	1/4	None	None		
	Keralite FR-F					5/16	3/8		CAT I & II		
	Keralite FR-L					5/16	3/8		CAT I & II		

* FireGlass 20, PyroSwiss 20, and SuperLite 20 can vary in thickness from 1/4" to 1/2".

NOTE: NO HOSE frames are not recognized in Canada.

¹20-45 Minute SuperLite XL requires approval of the AHJ.





Underwriters Laboratories Listings

NOTE: The International Building Codes (IBC) no longer allows use of glass in doors that is not safety rated. The listings below includes glasses that are not safety rated. It is the Purchasers responsibility to make sure the glass you are using is approved in the jurisdiction in which it will be installed. CPSC ratings are included for your information.

Listings below are for Positive Pressure Rated (UL10C) openings for Styles listed below. Neutral Pressure (UL10 B) listings are available by contacting Customer Service.

Door Types: Hollow Metal type, Composite type, and Wood Core type Fire Doors.

We can provide Fire Rated Frames that meet the requirements in UL's Fire Protection Rated Glazing Materials Category (KCMZ), or glazing which has approval for conformance to ANSI/UL 10B, ANSI/UL 10C, NFPA80, NFPA252, OR CAN/ULC S104. Contact us if you have a glass that we do not have listed.

Frame Styles	Glass Type	Rating	Max. Size Sq. Inches	Max. Width	Max. Height	Glass Thickness	Pocket Thickness	Tape Required	CPSC Rating	Other Restrictions
110,110B,117M, 118,118M	Keralite FR-R	20-45	3627	46.500	78	3/16	5/16	1/16 PVC Tape	None	
	Keralite FR-F					5/16	7/16		CAT I & II	
	Keralite FR-L					5/16	7/16		CAT I & II	
110,110B,115, 117M,118,118M	Pyran Star S, Crystal S	20-45	1296	36	54	3/16	1/4	None	None	
	Pyran Star F, Crystal F					5/16	3/8		CAT I & II	
	Pyran Platinum F					3/8	3/8		CAT I & II	
	Pyran Star L, Crystal L					5/16	3/8		CAT I & II	
	Pyran Platinum L					3/8	3/8		CAT I & II	
	FireLite					3/16	1/4		None	
	FireLite NT					5/16	3/8		CAT I & II	
FireLite Plus	5/16	3/8	CAT I & II							
110,110B,117M, 118,118M	Pyran Star S, Crystal S	20-45	2736	36	76	3/16	5/16	FG3000S45	None	
	Pyran Star F, Crystal F					5/16	7/16		CAT I & II	
	Pyran Platinum F					3/8	1/2		CAT I & II	
	Pyran Star L, Crystal L					5/16	7/16		CAT I & II	
	Pyran Platinum L					3/8	1/2		CAT I & II	
110,110B,117M, 118,118M	FireLite	20-45	3204	36	89	3/16	5/16	FG3000S45	None	
	FireLite NT					5/16	7/16		CAT I & II	
	FireLite Plus					5/16	7/16		CAT I & II	
118N ,118MN	Keralite FR-F IGU	20-45	3627	46.500	78	11/16	13/16	1/16 PVC Tape	CAT II	
	Keralite FR-L IGU					13/16	15/16			
118N ,118MN	Keralite Ultra	20-45	2736	46.500	76	3/4	7/8	1/16 PVC Tape	CAT II	
118W,118MW	Keralite Ultra IGU	20-45	2736	46.500	76	1-1/4	1-3/8	1/16 PVC Tape	CAT II	
	Keralite Ultra HI IGU					1-1/2	1-5/8			
	FireLite IGU					3204	36			
110,110B,117M, 118,118M	Pilkington Pyroshield Plus	45	1296	24	54	7/16	9/16	FG3000S45	CAT I	
118N ,118MN	Fireswiss Foam C40	45	2859	34.625	82.5625	7/8	1	1/16 PVC Tape	CAT I & II	
118W,118MW	Fireswiss Foam C44	45	4608	48	96	1-1/16	1-3/16	1/16 PVC Tape	CAT I & II	
118N ,118MN	Contraflam/Swissflam 45	45	3419	35.8125	95.5000	3/4	7/8	1/16 PVC Tape	CAT II	
118W,118MW	Contraflam/Swissflam 45 IGU					1-1/4	1-3/8			
118N ,118MN	Pyrostop 45-200	45	3724	41.625	89.750	3/4	7/8	FG3000S45	CAT I & II	
118N ,118MN	Pyrobel-45	45	2747	58.750	58.750	5/8	7/8	1/8 PVC Tape	CAT I & II	Interior
	Pyrobel-45 Exterior					3/4	1			Exterior
118W,118MW	Pyrobel-45 Exterior Insulated					1-3/8	1-5/8			Exterior Insulated
118N ,118MN	SuperLite II-XL **	45	1296	54	54	1/2	3/4	1/8 PVC Tape	CAT I & II	
			2432	34.500	70.500	3/4" Std.	1			
			4952	116**	116**	1	1-1/4			
110,110B,117M, 118,118M	SuperLite X-45	45	100	10	33	3/4	7/8	1/16 PVC Tape	CAT I & II	Temp. Rise
	SuperLite X-60	60								
	SuperLite X-90	90								
110,110B,117M, 118,118M	Labeled Wired Glass	60-90	100	12	33	1/4	Same	None	None	Temp. Rise
	Protect3 Safety Glass (Wired)								CAT I & II	
	New-Wire								None	
	Safe-Wire								CAT I & II	
	SuperLite I-W								CAT I & II	
110,110B,115, 117M,118,118M	WireLite	60-90	100	10	33	1/4	Same	None	None	Temp. Rise
	WireLite NT								CAT I & II	
110,110B,115, 117M,118,118M	Labeled Wired Glass	60-90	300	15	33	1/4	Same	None	None	Non-Temp. Rise
	Protect3 Safety Glass (Wired)								CAT I & II	
	New-Wire								None	
	Safe-Wire								CAT I & II	
	SuperLite I-W								CAT I & II	
	WireLite								None	
	WireLite NT								CAT I & II	
110,110B,117M, 118,118M	Labeled Wired Glass	60	960	12	80	1/4	3/8	FG3000S90	None	Non-Temp. Rise & Wood Door ONLY
	Protect3 Safety Glass (Wired)								CAT I & II	
	New-Wire								None	
	Safe-Wire								CAT I & II	
	WireLite								None	
	WireLite NT								CAT I & II	
	SuperLite I-W								5/16	

** SuperLite II-XL is limited to a Max. Width or Max. Height of 116" by AMS Tooling.



6 Page **715-223-6324** | 715-223-3352 fax

411 West Spruce Street | Abbotsford, WI 54405-0485

www.AllMetalStamping.com



Underwriters Laboratories Listings

NOTE: The International Building Codes (IBC) no longer allows use of glass in doors that is not safety rated. The listings below includes glasses that are not safety rated. It is the Purchaser's responsibility to make sure the glass you are using is approved in the jurisdiction in which it will be installed. CPSC ratings are included for your information.

Listings below are for Positive Pressure Rated (UL10C) openings for Styles listed below. Neutral Pressure (UL10 B) listings are available by contacting Customer Service.

We can provide Fire Rated Frames that meet the requirements in UL's Fire Protection Rated Glazing Materials Category (KCMZ), or glazing which has approval for conformance to ANSI/UL 10B, ANSI/UL 10C, NFPA80, NFPA252, OR CAN/ULC S104. Contact us if you have a glass that we do not have listed.

Door Types: Hollow Metal type, Composite type, and Wood Core type Fire Doors.

Frame Styles	Glass Type	Rating	Max. Size Sq. Inches	Max. Width	Max. Height	Glass Thickness	Pocket Thickness	Tape Required	CPSC Rating	Other Restrictions		
110,110B,117M, 118,118M	Labeled Wired Glass	90	552	12	46	1/4	3/8	FG3000S90	None	Non-Temp. Rise & Wood Door ONLY		
	Protect3 Safety Glass (Wired)								CAT I & II			
	New-Wire								None			
	SuperLite I-W					1/4	3/8	FG3000S90	CAT I & II			
	WireLite								None			
	WireLite NT								CAT I & II			
Safe-Wire	CAT I & II											
110,110B,115, 117M,118,118M	Keralite FR-R	60-90	100	10	33	3/16	1/4	None	None	Temp. Rise		
	Keralite FR-F								CAT I & II			
	Keralite FR-L					CAT I & II						
110,110B,115, 117M,118,118M	Keralite FR-R	60-90	300	15	33	3/16	1/4	None	None	Non-Temp. Rise		
	Keralite FR-F								CAT I & II			
	Keralite FR-L					CAT I & II						
110,110B,115, 117M,118,118M	Keralite FR-R	60	3627	46.500	78	3/16	5/16	1/16 PVC Tape	None	Non-Temp. Rise		
	Keralite FR-F								CAT I & II			
	Keralite FR-L					CAT I & II						
110,110B,115, 117M,118,118M	Keralite FR-R	90	3534	46.500	76	3/16	5/16	1/16 PVC Tape	None	Non-Temp. Rise		
	Keralite FR-F								CAT I & II			
	Keralite FR-L					CAT I & II						
118N ,118MN	Keralite FR-F IGU	60-90	100	10	33	11/16	13/16	1/16 PVC Tape	CAT II	Temp. Rise		
	Keralite FR-L IGU					13/16	15/16					
118N ,118MN	Keralite FR-F IGU	60	3627	46.500	78	11/16	13/16	1/16 PVC Tape	CAT II	Non-Temp. Rise		
	Keralite FR-L IGU					13/16	15/16					
118N ,118MN	Keralite FR-F IGU	90	3534	46.500	76	11/16	13/16	1/16 PVC Tape	CAT II	Non-Temp. Rise		
	Keralite FR-L IGU					13/16	15/16					
118N ,118MN	Keralite Ultra	60-90	2736	46.500	76	3/4	7/8	1/16 PVC Tape	CAT II	Temp. Rise		
	Keralite Ultra IGU											
118W,118MW	Keralite Ultra IGU	60-90	2736	46.500	76	1-1/4	1-3/8	1/16 PVC Tape	CAT II	Temp. Rise		
	Keralite Ultra HI IGU					1-1/2	1-5/8					
110,110B,115, 117M,118,118M	Pyran Star S, Crystal S	60-90	100	12	33	3/16	1/4	None	None	Temp. Rise		
	Pyran Star F, Crystal F								5/16		3/8	CAT I & II
	Pyran Platinum F											
	Pyran Star L, Crystal L					3/16	1/4		CAT I & II			
	Pyran Platinum L										3/8	None
	FireLite					5/16	3/8		CAT I & II			
	FireLite NT											
FireLite Plus												
110,110B,115, 117M,118,118M	Pyran Star S, Crystal S	60-90	100	15	33	3/16	1/4	None	None	Non-Temp. Rise		
	Pyran Star F, Crystal F								5/16		3/8	CAT I & II
	Pyran Platinum F											
	Pyran Star L, Crystal L					3/16	1/4		CAT I & II			
	Pyran Platinum L										3/8	None
	FireLite					5/16	3/8		CAT I & II			
	FireLite NT											
FireLite Plus												
110,110B,117M, 118,118M	Pyran Star S, Crystal S	60-90	2736	36	76	3/16	3/8	FG3000S90	None	Non-Temp. Rise		
	Pyran Star F, Crystal F								5/16		7/16	CAT I & II
	Pyran Platinum F					3/8	None					
	Pyran Star L, Crystal L					1/2	None					
	Pyran Platinum L					3/8	None					
FireLite	5/16	7/16	None									
110,110B,117M, 118,118M	FireLite	60-90	3204	36	89	3/16	3/8	FG3000S90	None	Non-Temp. Rise		
	FireLite NT								5/16		7/16	CAT I & II
	FireLite Plus											
110,110B,115, 117M,118,118M	WireLite	60-90	100	10	33	1/4	Same	None	None	Temp. Rise		
	WireLite NT								CAT I & II			
110,110B,117M, 118,118M	Pilkington Pyroshield Plus	60-90	100	20	20	7/16	9/16	FG3000S90	CAT I	Non-Temp. Rise		
118N ,118MN	Fireswiss Foam C40	60	1868	22.625	82.5625	7/8	1	1/16 PVC Tape	CAT I & II	Temp. Rise		
	FireLite IGU											
118W ,118MW	FireLite IGU	60-90	3204	36	89	1	1-1/4	1/8 PVC Tape	CAT I & II	Temp. Rise		
	FireLite IGU									Non-Temp. Rise		
118N ,118MN	Contraflam/Swissflam 60	60	2685	30	89.500	3/4	7/8	1/16 PVC Tape	CAT II	Temp. Rise		
	Contraflam/Swissflam 60 IGU										1-1/2	1-5/8
	Contraflam/Swissflam 60 IGU-HI					1-5/16	1-7/16					





Underwriters Laboratories Listings

NOTE: The International Building Codes (IBC) no longer allows use of glass in doors that is not safety rated. The listings below includes glasses that are not safety rated. It is the Purchasers responsibility to make sure the glass you are using is approved in the jurisdiction in which it will be installed. CPSC ratings are included for your information.

Listings below are for Positive Pressure Rated (UL10C) openings for Styles listed below. Neutral Pressure (UL10 B) listings are available by contacting Customer Service.

We can provide Fire Rated Frames that meet the requirements in UL's Fire Protection Rated Glazing Materials Category (KCMZ), or glazing which has approval for conformance to ANSI/UL 10B, ANSI/UL 10C, NFPA80, NFPA252, OR CAN/ULC S104. Contact us if you have a glass that we do not have listed.

Door Types: Hollow Metal type, Composite type, and Wood Core type Fire Doors.

Frame Styles	Glass Type	Rating	Max. Size Sq. Inches	Max. Width	Max. Height	Glass Thickness	Pocket Thickness	Tape Required	CPSC Rating	Other Restrictions
118W,118MW	Contraflam/Swissflam 90	90	3174	35.750	88.5625	1-7/16	1-9/16	1/16 PVC Tape	CAT II	Temp. Rise
118N ,118MN	Pyrostop 60-101	60	3724	41.625	89.750	3/4	15/16	FG3000S90	CAT I & II	Temp. Rise
118W ,118MW	Pyrostop 90-102	90				1-7/16	1-9/16			
118N ,118MN	SuperLite II-XL	60	1296	54	54	7/8	1-1/8	1/8 PVC Tape	CAT I & II	Non-Temp. Rise
118W,118MW	SuperLite II-XL**	60	4952	116**	116**	1-1/8	1-3/8	1/8 PVC Tape	CAT I & II	Non-Temp. Rise
	SuperLite II-XL**	90	4990	116**	116**	1-1/2	1-3/4			
118W,118MW	Pyrobel-60	60	3855	44	87.625	1	1-1/4	1/8 PVC Tape	CAT I & II	Interior Temp. Rise
	Pyrobel-60 Exterior					1-1/4	1-1/2			1/8 PVC Tape
118W,118MW	Pyrobel-90	90	2916	36	61	1-3/8	1-5/8	1/8 PVC Tape	CAT I & II	Interior Temp. Rise
110,110B,115,117M,118,118M	Keralite FR-R	180	100	10	33	3/16	1/4	None	None	Temp. Rise
	Keralite FR-F								CAT I & II	
	Keralite FR-L									
118N ,118MN	Keralite FR-F IGU	180	100	10	33	11/16	13/16	1/16 PVC Tape	CAT I & II	Temp. Rise
	Keralite FR-L IGU					13/16	15/16			
118N ,118MN	Keralite Ultra	180	100	10	33	3/4	7/8	1/16 PVC Tape	CAT II	Temp. Rise
118W,118MW	Keralite Ultra IGU	180	100	10	33	1-1/4	1-3/8	1/16 PVC Tape	CAT II	Temp. Rise
	Keralite Ultra HI IGU					1-1/2	1-5/8			
110,110B,115,117M,118,118M	Pyran Star S, Crystal S	180	100	12	33	3/16	1/4	None	None	Temp. Rise
	Pyran Star F, Crystal F									
	Pyran Platinum F									
	Pyran Star L, Crystal L								CAT I & II	
	Pyran Platinum L									
	FireLite								None	
	FireLite NT								CAT I & II	
FireLite Plus										
118W ,118MW	FireLite IGU	180	100	12	33	1	1-1/4	1/8 PVC Tape	CAT II	Temp. Rise

** SuperLite II-XL is limited to a Max. Width or Max. Height of 116" by AMS Tooling.

Conditions of UL Listings

1. Frames can be manufactured from either 18 GA. or 16 GA. Steel, Galvanized Steel, or Stainless Steel.
2. Mullions are UL Listed when installed using a single sheet of labeled glazing material.
3. Custom Shape Frames are UL Listed to 1296 in.² for 20-45 Minute Installations with no dimension greater than 54"; and to 100 in.² for 60-90 Minute Installations with maximum dimensions of 12" wide X 33" high. This includes Crosses, Triangles, Hexagons, etc.
4. Temperature Rise restrictions apply to 60, 90, and 180 Minute installations.
5. Veneer wrapped frames follow the same guidelines as non-veneered frames.
6. Door Light Frames manufactured for 1-3/8" to 2-1/4" thick doors can be labeled and used in appropriately labeled doors.
7. Hollow Metal Doors approved to use a clip system, in lieu of full perimeter channels, can use the AMS Hollow Metal Door Clips. See Page 9.

Conditions of UL Approvals

- Use of Glazing Tape when installing Door Light Frames requires the Frame to have a special glass pocket.
- All units listed on Page 5 with a rating of 20 Minute No Hose are not approved under the Canadian Standard.
- FireGlass 20, PyroSwiss 20, and SuperLite 20 are each available in thicknesses greater than 1/4" and require a special glass pocket.
- Multiple lites are ONLY allowed in doors approved for multiple lites and the combined total of visible glass light cannot exceed the maximum square inches or maximum width and height dimensions specified in those approvals.
- The Model #110 and Model #117M are limited to a maximum glass weight of 85 lbs. Please consider our Model #110B, #118, or #118M for heavier glass.

FOR STEEL DOORS

If the door is approved to use a clip system refer to Clip System below, otherwise reinforce the cutout per your **UL** procedure.

Refer to door manufacturer's installation instructions. If approved to use a clip system follow those instructions as to the number of clips required.

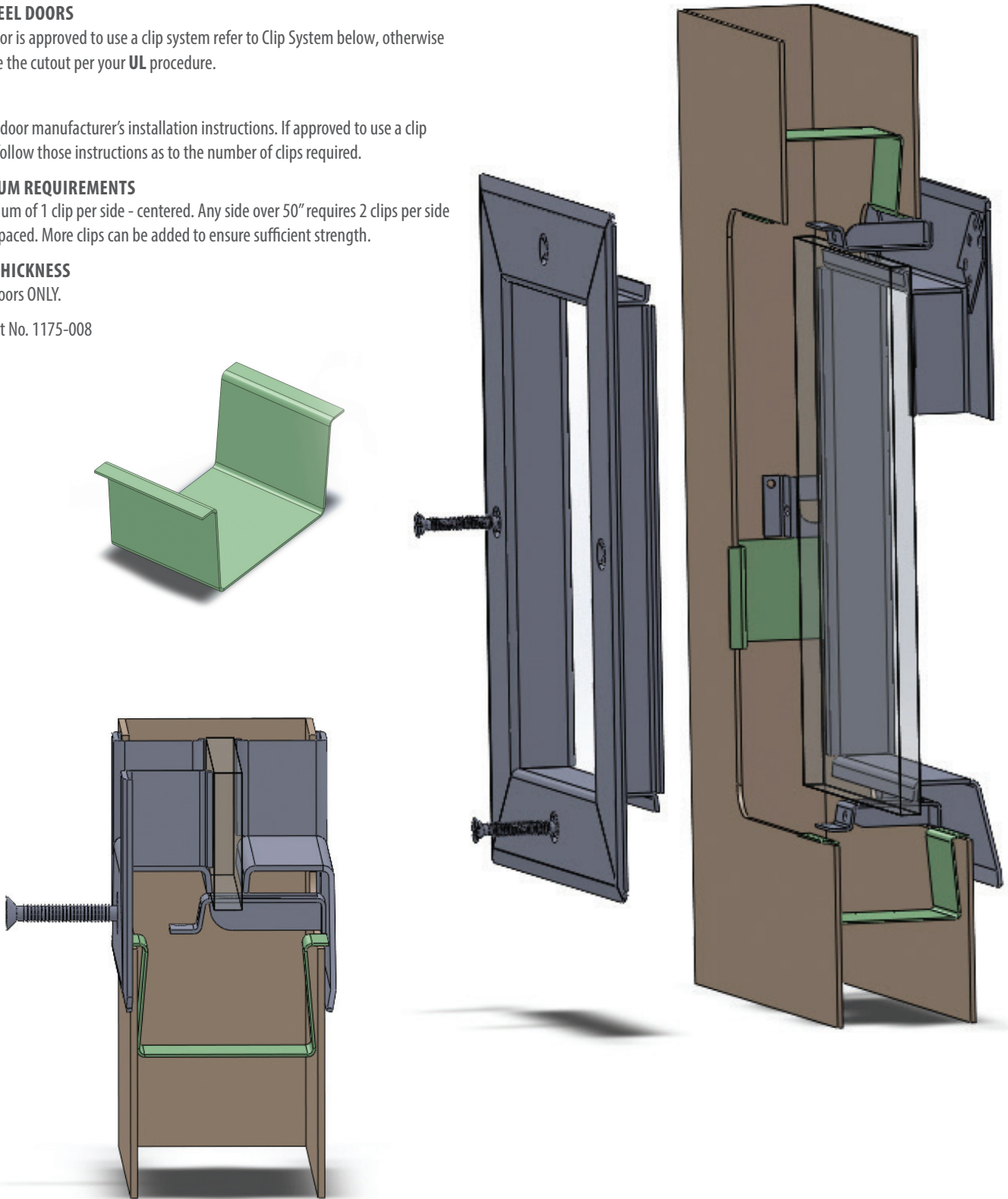
MINIMUM REQUIREMENTS

A minimum of 1 clip per side - centered. Any side over 50" requires 2 clips per side evenly spaced. More clips can be added to ensure sufficient strength.

DOOR THICKNESS

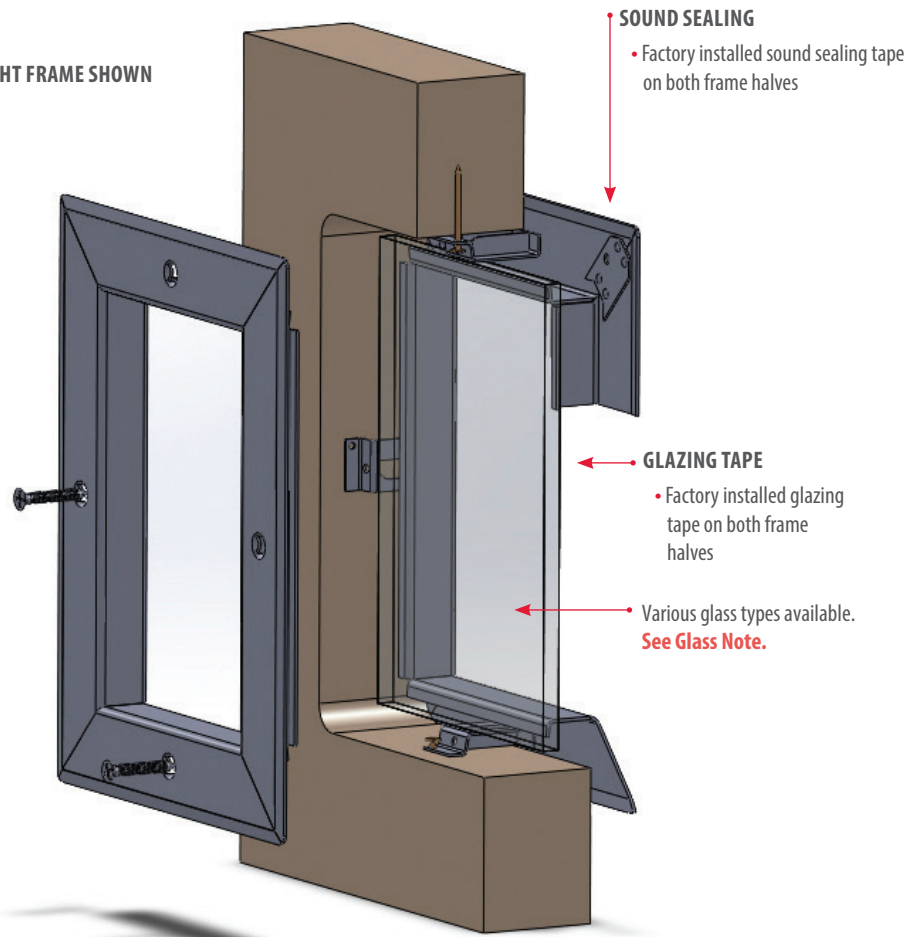
1 3/4" Doors ONLY.

AMS Part No. 1175-008



Sound Sealing Options

MODEL 110 LOW PROFILE DOOR LIGHT FRAME SHOWN



Sound Sealing Option for Door Light Frames

Many door products are evaluated for their ability to reduce the transmission of sound from one side to the other. A Sound Transmission Class (STC) rating is a method to quantify this sound reduction. A higher rating offers more sound reduction.

For doors with glass, this rating is based on the ability of the entire assembly to reduce sound transmission. An assembly includes the door, light frame, glass, door frame and gasket system. Variables in this assembly include door type and thickness along with glass size and thickness. Assemblies are often required to be fire rated, as well.

All Metal Stamping offers a factory installed sound sealing option for many of its door light frames. If a frame is required in an STC rated door assembly, the sound sealing option can improve the overall performance of the assembly.

Independent lab testing has shown that for STC rating in the 30s, the AMS sound sealing option can improve the rating by 3 points. Testing performed using a light frame with a 22" x 34" visible light.

Please refer to our website or catalog pages to select AMS door light frame that is appropriate for you application.

SOUND TRANSMISSION TEST PERFORMED AT ELEMENT MATERIAL TECHNOLOGY, ST. PAUL, MN ACCORDING TO ASTM E90(09) & E413(10)

Labeling Policy

All Metal Stamping, Inc. labels frames which meet our UL Listings and Approvals. It is the End User's responsibility to ensure all components used in the openings meet or exceed the fire ratings required.

Use of glazing for which All Metal Stamping, Inc. does not have approval, or improper installation, voids our Fire Rating. All Door Light Frames and glazing combinations must be used in appropriately approved door assemblies. Interpretation of Building Codes may vary. Consult with the local Authority Having Jurisdiction (AHJ) to determine appropriate standards for your area. The International Building Codes (IBC) no longer allows non-safety rated glazing to be used in doors. It is the Purchasers responsibility to make sure the glass you are using is approved in the jurisdiction in which it will be installed.

Installation Notes:

1. Any unit used in an exterior application must be sealed around the outer perimeter of the frame as well as around the glass to protect from water infiltration. Follow Glass Manufacturer's Installation Instructions.

All Metal Stamping, Inc. will only stand behind frames used in exterior applications:

- a. If the product is NOT directly exposed to sunlight, corrosive environments, or direct precipitation. The product can be manufactured from Galvanized material.
 - b. If the product is exposed to sunlight, precipitation, or coastal environments the product must be manufactured from Stainless Steel.
 - c. Our frames are NOT approved for corrosive environments.
2. Listed glasses that maintain a temperature rise of no more that 250^o F above ambient are acceptable for Temperature Rise rated Fire Doors. Use of these glasses in sizes exceeding 100 in.² in 60 or 90 Minute Fire Rated Openings require prior approval of the Authority Having Jurisdiction (AHJ). Ensure glazing is approved before installing.

Non-Fire Rated Glazing Recommendations

We recommend glazing tape be used with all non-fire rated installations. Add allowance for glazing tape to the glass thickness to determine proper glass pocket.

Example: 1/16" glazing tape both sides + 1/4" glass = 3/8" glass pocket.

Always evenly tighten screws around the perimeter of the frame to prevent glass breakage.

SEALED INSULATED GLASS: Insulated glass sometimes has a seal up to 1/2" wide.

Use our Style #118 or #118M to ensure this sealer is hidden from view upon installation.

Top Coating Instructions for Fire Door Hardware

STANDARD FINISH: Beige, Gray, or Dark Bronze polyester powder coating. These coatings are tough, corrosion resistant, and provide a very durable surface. Special colors are lacquer, industrial enamel, or powder coatings dependent on color.

TOP COATING FIRE DOOR HARDWARE: Many top coats have good compatibility with powder coatings. Exceptions are some enamels, many latex, and water based paints. It is necessary that the surface be thoroughly sanded prior to the application of **any** top coat. Make sure the surface is clean and dry. To ensure compatibility always **test paint a small area** on a non-visible portion of the product and check for proper adhesion **before** proceeding. Final finish of the product is the responsibility of the purchaser. We do not warrant the suitability of the product for any particular application.

Limited Warranty

ALL METAL STAMPING, INC. WARRANTS ALL DOOR HARDWARE TO BE FREE FROM DEFECTS IN MATERIALS AND WORKMANSHIP.

Purchaser assumes responsibility to verify and determine that color, finish, and quality of materials will meet required specifications. No claim shall be allowed unless the Purchaser gives notice to manufacturer within 30 days from the date materials are received.

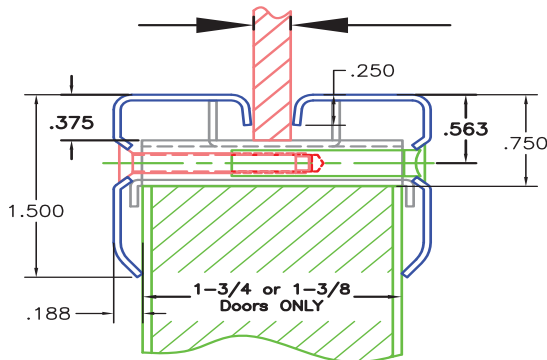
If color match, finish quality, or glass and cutout fit are not satisfactory, DO NOT INSTALL. UPON INSTALLATION THIS WARRANTY ENDS. Manufacturer's only obligation shall be replacement, refinishing, or refund of the original purchase price, at our option. THESE ARE THE EXCLUSIVE REMEDIES PROVIDED, AND ALL METAL STAMPING, INC. SHALL NOT BE LIABLE FOR ANY OTHER DAMAGES, INCLUDING ANY DIRECT, INDIRECT, INCIDENTAL, OR CONSEQUENTIAL DAMAGES.

This warranty does not apply to door hardware which has been abused, altered, improperly installed, used with incompatible or inappropriate components. (EX. Oversized Glass), exposed to corrosive environments, or environments for which the product is not intended. No material shall be returned without prior authorization. This warranty extends only to the original Purchaser who is buying the hardware from All Metal Stamping, Inc. for purposes of resale or use in the ordinary course of their business.

For Styles other than
the #110 or #110B

Frames for Odd Thickness Door or Glass Cross Section Views

**For all Styles Pocket Size must
include glazing allowance**



STYLE #115

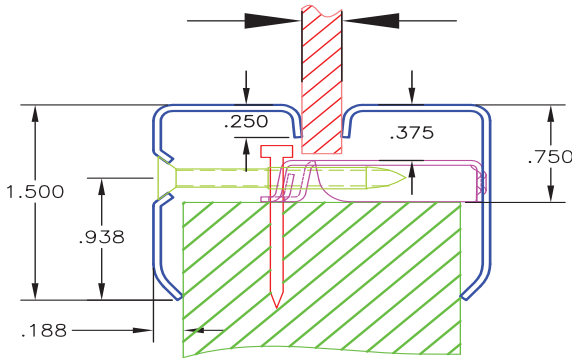
ORDER INFORMATION:

Order size = Inside dimension of frame, (W+H)

Cutout size = Order size + 1¹/₂"

Glass size = Order size + ³/₄" (Tolerance +0/-¹/₁₆")

Frame includes 2 Frame & Glass Supports



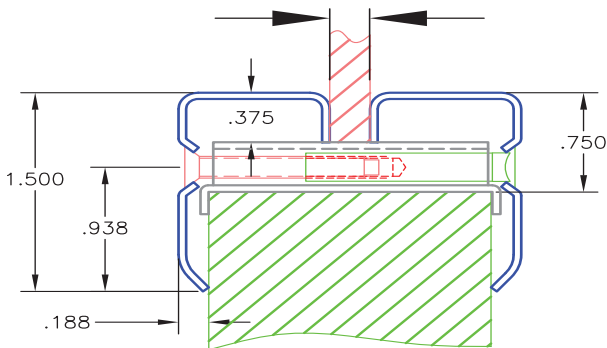
STYLE #117M

ORDER INFORMATION:

Order size = Inside dimension of frame, (W+H)

Cutout size = Order size + 1¹/₂"

Glass size = Order size + ³/₄" (Tolerance +0/-¹/₁₆")



STYLE #105M

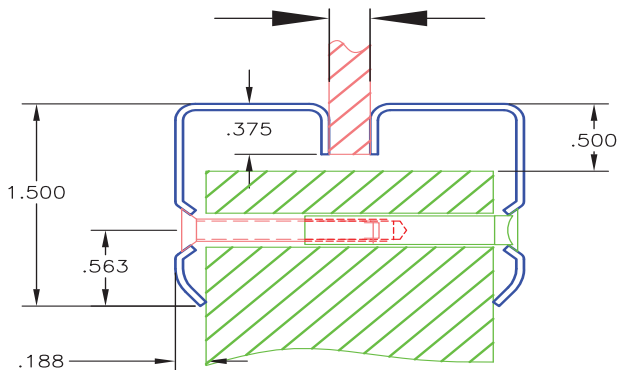
ORDER INFORMATION:

Order size = Inside dimension of frame, (W+H)

Cutout size = Order size + 1¹/₂"

Glass size = Order size + ³/₄" (Tolerance +0/-¹/₁₆")

Frame includes 2 Frame & Glass Supports



STYLE #105

ORDER INFORMATION:

Order size = Inside dimension of frame, (W+H)

Cutout size = Order size + 1"

Glass size = Order size + ³/₄" (Tolerance +0/-¹/₁₆")

Frames for Odd Thickness Door or Glass Cross Section Views

For Styles other than the #110 or #110B

For all Styles Pocket Size must include glazing allowance

STYLE #118M

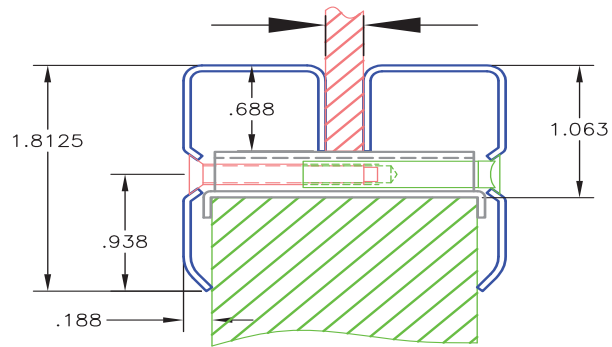
ORDER INFORMATION:

Order size = Inside dimension of frame, (W+H)

Cutout size = Order size + $2\frac{1}{8}$ "

Glass size = Order size + $1\frac{5}{16}$ "

Frame includes 2 Frame & Glass Supports



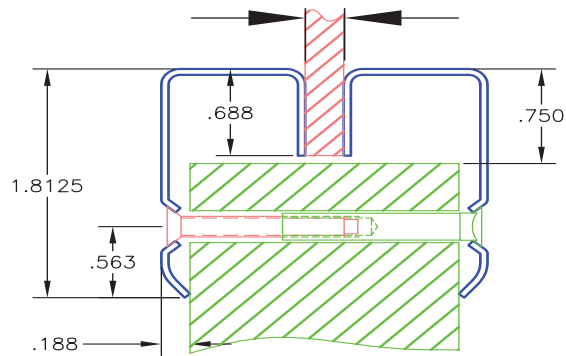
STYLE #118

ORDER INFORMATION:

Order size = Inside dimension of frame, (W+H)

Cutout size = Order size + $1\frac{1}{2}$ "

Glass size = Order size + $1\frac{3}{8}$ "



STYLE #118MN

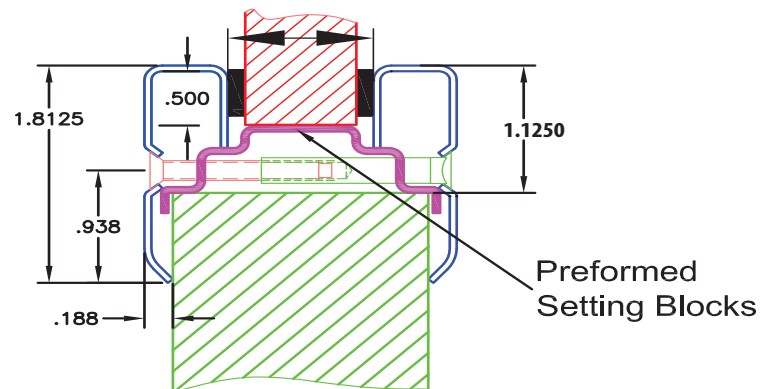
ORDER INFORMATION:

Order size = Inside dimension of frame, (W+H)

Cutout size = Order size + $2\frac{1}{4}$ "

Glass size = Order size + 1"

This Unit requires Setting Blocks for Proper Installation



STYLE #118N

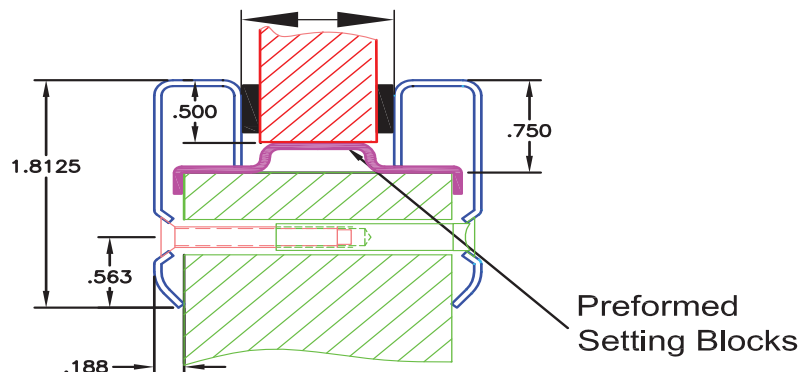
ORDER INFORMATION:

Order size = Inside dimension of frame, (W+H)

Cutout size = Order size + $1\frac{1}{2}$ "

Glass size = Order size + 1"

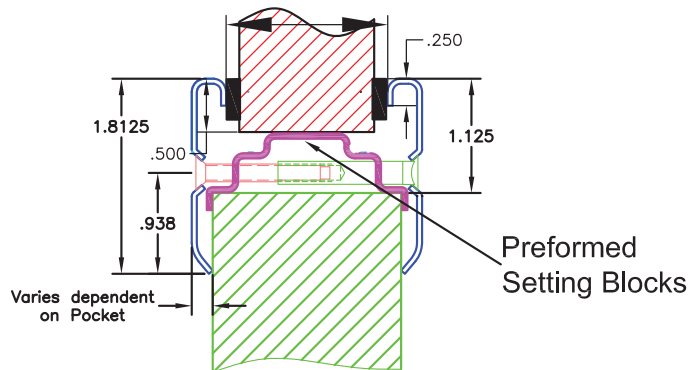
This Unit requires Setting Blocks for Proper Installation



For Styles other than
the #110 or #110B

Frames for Odd Thickness Door or Glass Cross Section Views

**For all Styles Pocket Size must
include glazing allowance**



STYLE #118MW

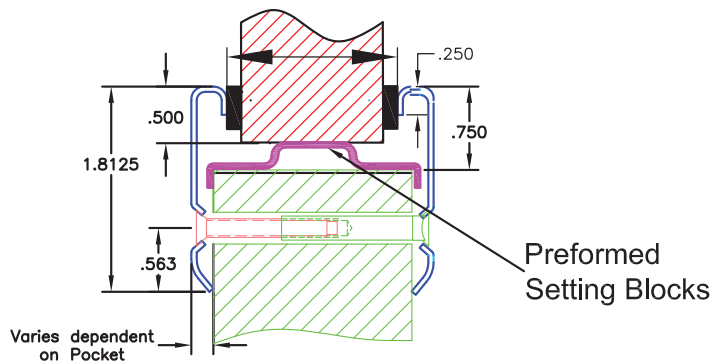
ORDER INFORMATION:

Order size = Inside dimension of frame, (W+H)

Cutout size = Order size + 2 1/4"

Glass size = Order size + 1"

This Unit requires setting blocks for proper installation.



STYLE #118W

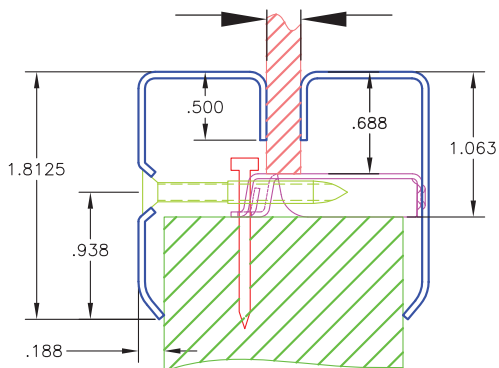
ORDER INFORMATION:

Order size = Inside dimension of frame, (W+H)

Cutout size = Order size + 1 1/2"

Glass size = Order size + 1"

This Unit requires setting blocks for proper installation.



STYLE #118MSP (PATENT PENDING)

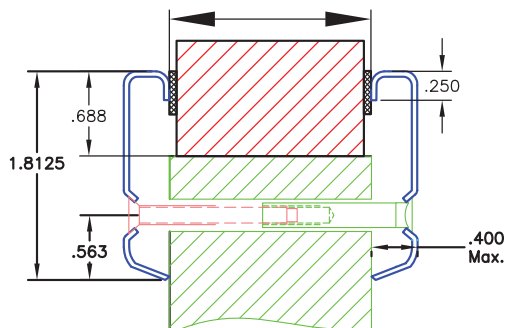
ORDER INFORMATION:

Order size = Inside dimension of frame, (W+H)

Cutout size = Order size + 2 1/8"

Glass size = Order size + 1 5/16"

NO FIRE RATING



Option Available for Sheet Metal Screws

STYLE #118D

ORDER INFORMATION:

Order size = Inside dimension of frame, (W+H)

Cutout size = Order size + 1 1/2"

Glass size = Order size + 1 3/8"

NO FIRE RATING

Frames with Mullions use a Single Sheet of Glass and have a Divided Light Appearance

OUR LOWEST COST OPTION

3/4" Painted Aluminum Tape On Mullions

1. DESCRIPTION

- 3/4" Square Aluminum Tubing with milled flush intersections
- Install directly to glass with double backed tape included. Attaches very securely to glass (no gaps). High quality - lowest cost. Mullions are shipped knocked down for installation at the time the frames are installed, (see page 17).

2. PRICING

- Mullions are priced on a multiplier basis depending on size and complexity of the grid. Please call for Quote.
- Veneer wrapped Mullions are available but carry NO Fire Rating. Call for Quote.

3. LIMITATIONS FOR MULLIONS:

- All Styles 1/4" maximum glass pocket for a 1-3/4" Door. For a 2-1/4" Door the maximum glass pocket is 3/4" Minimum Door thickness is 1-3/4".

5/8" Painted Steel Welded Mullions

1. DESCRIPTION

- Door Light Frame with wire welded mullions to give a divided light appearance.
- Mullions - 18 GA. - 5/8" square steel tubing.

2. PRICING

- Mullions are priced on a multiplier basis depending on size and complexity of the grid. Please call for Quote.
- For Galvanized or Stainless Steel applications 1"-3" Formed Mullions must be used. Please request information.
- Mullions are available welded into a 3/4" Tube SURROUND. Call for Quote.

3. LIMITATIONS FOR MULLIONS: Cross mullions have 1/16" offset to conceal tube edge radii, (see page 18).

- #110/#110B w/Cross Mullions: 1/4" maximum glass pocket for a 1-3/4" Door. For a 2-1/4" Door the maximum glass pocket is 3/4". Minimum Door thickness is 1-3/4".
- #110/#110B w/One Way Mullions: 3/8" maximum glass pocket for a 1-3/4" Door. For a 2-1/4" Door the maximum glass pocket is 7/8".
- Welded mullions cannot be veneer wrapped.

1" to 3" Steel Formed Mullions

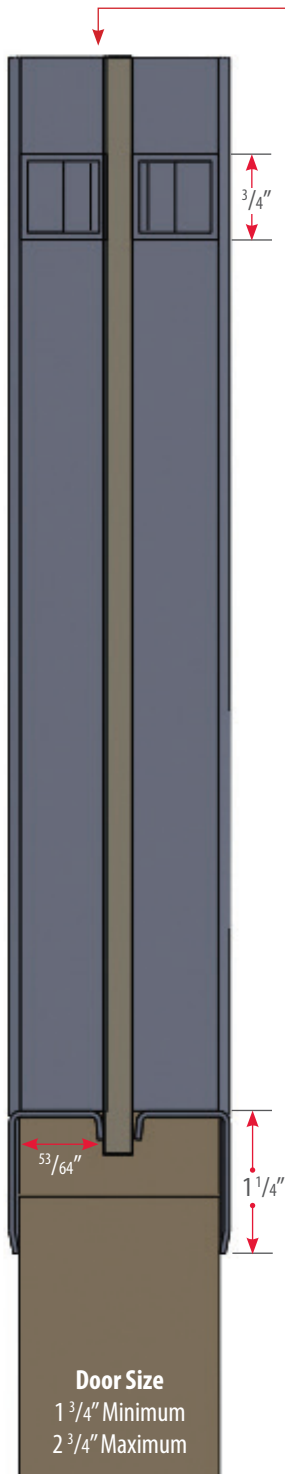
DESCRIPTION

- Door Light Frame with formed mullions with a face dimension of 1" to 3" giving a divided light appearance. Available in: 18 GA.
- Painted Cold Rolled Steel, Painted Galvanized, or Stainless Steel, (see page 19).
- Wire welded to frame from inside mullions to provide a clean appearance.
- Mullions are priced on a multiplier basis depending on size and complexity of the grid. Please call for information and a Quote.
- Maximum glass pocket in 1-3/4" door is 3/4" for styles 110/110B.
- Maximum glass pocket for other styles is 1" for 1-3/4" door.
- Welded mullions cannot be veneer wrapped.

UL Listing

Door Light Frames with Aluminum or Steel Mullions carry the same **UL Fire Rating** as our Standard Frames when installed using a single sheet of listed glazing material. Aluminum mullions can be veneer wrapped (see page 27) but carry **NO** Fire Rating. Steel mullions cannot be veneered.

CAUTION: Mullions cannot be adjusted after tape makes contact with glass



Mullions are attached to the glass with 1/2" x 1/32" double sided foam tape.

ORDER INFORMATION:

Order size = Frame inside dimension

Door Cutout size = Order size + 1 1/2"

Glass size = Order size + 3/4"

MATERIAL:

Extruded Aluminum 3/4" square

FOR 1 3/4" DOOR:

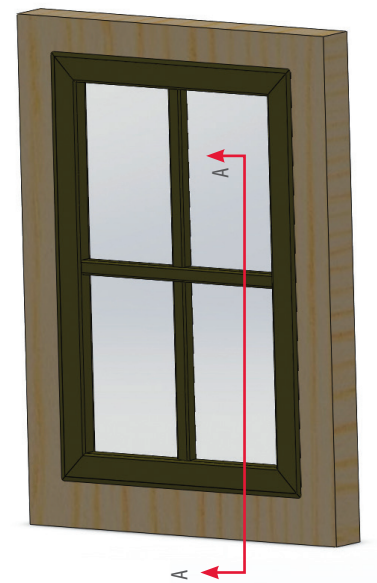
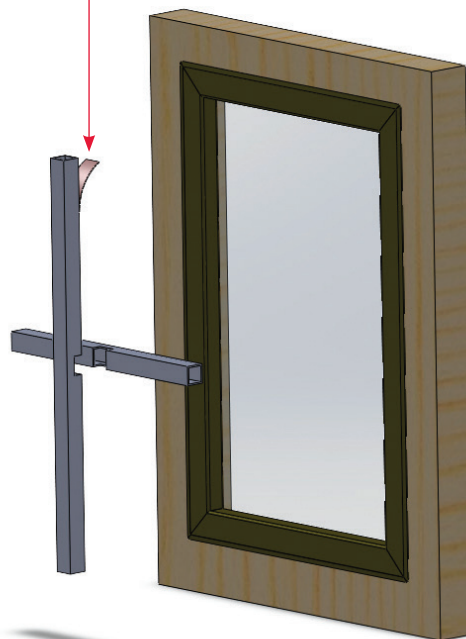
One-way mullion - glass maximum 3/8"

Cross mullions - glass maximum 1/4"

GLASS NOTE:

Glass must be single sheet of Listed Glazing Material to maintain fire rating.

DO NOT PEEL BACKING FROM ADHESIVE TAPE UNTIL READY FOR FINAL PLACEMENT.



Door Size
1 3/4" Minimum
2 3/4" Maximum

Section A-A

5/8" Painted Steel Welded Mullions

Frame Style #110 Shown

ORDER INFORMATION:

Order size = Frame inside dimension

Door Cutout size = Order size + 1 1/2"

Glass size = Order size + 3/4"

MATERIAL:

18 GA. (.045) x 5/8" square steel tubing.

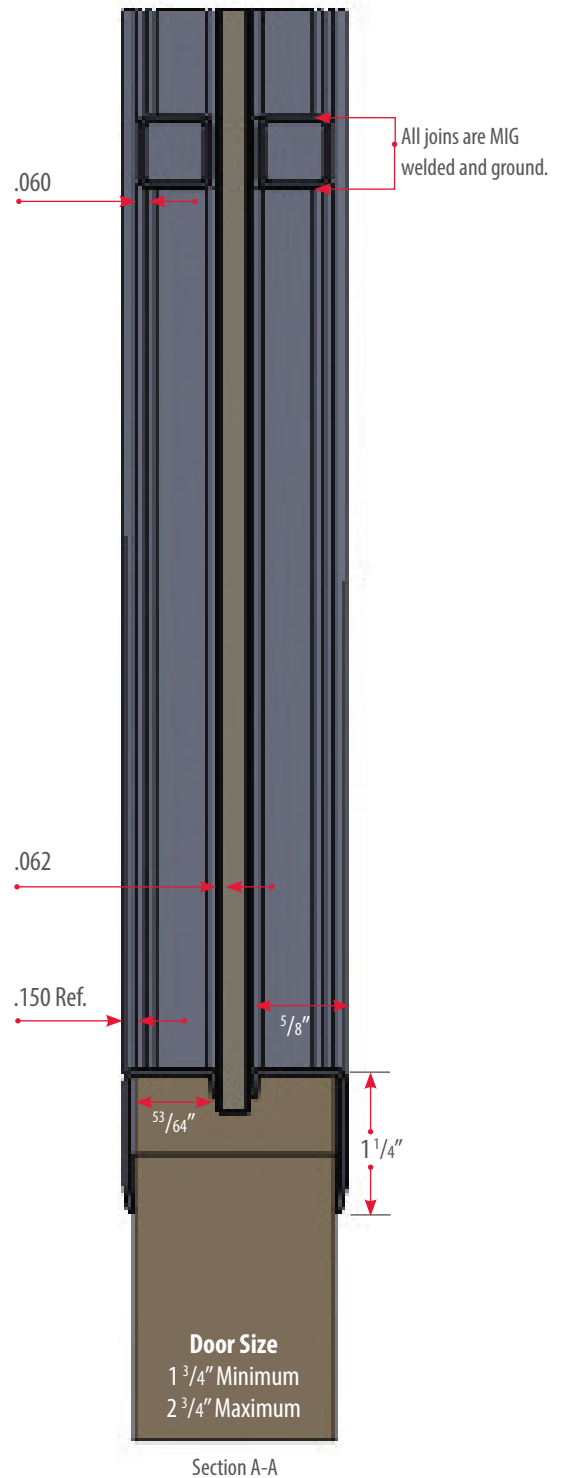
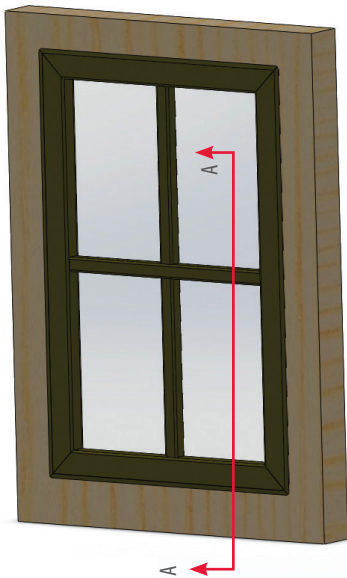
FOR 1 3/4" DOOR:

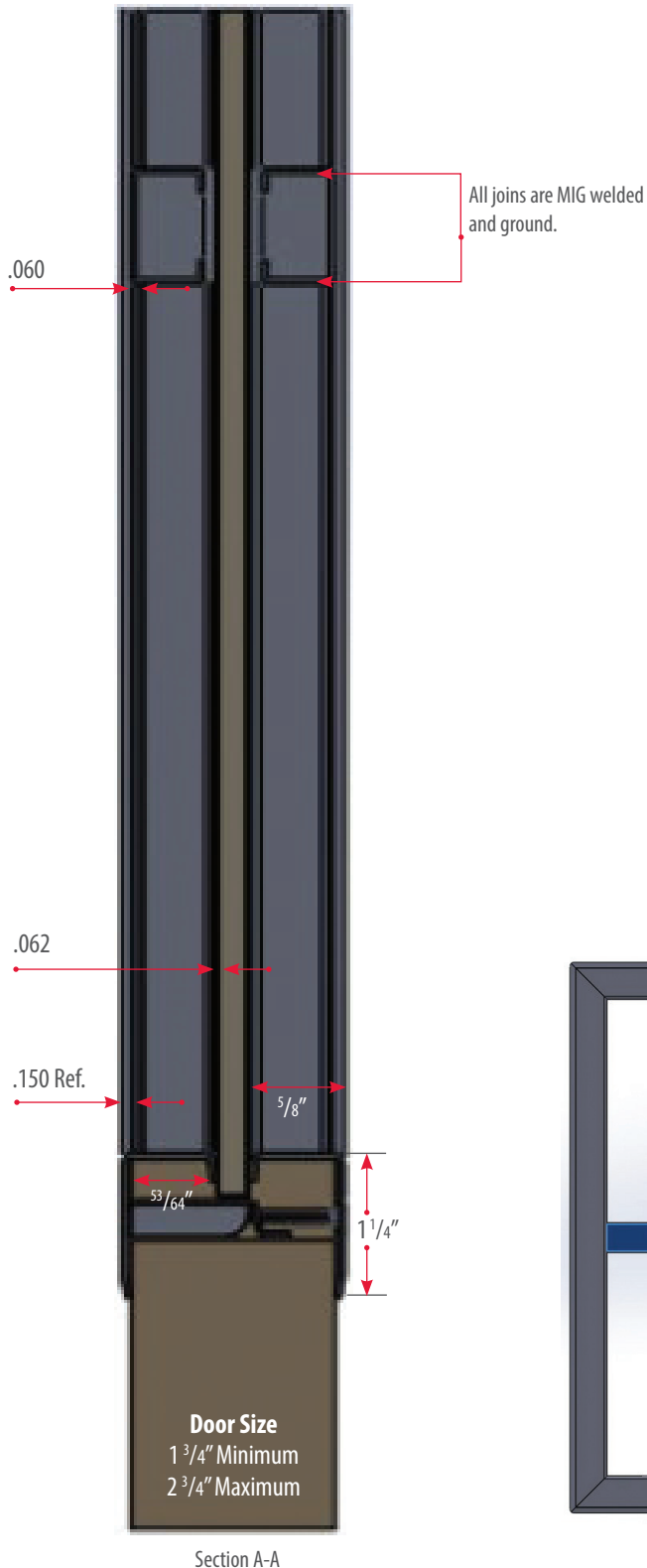
One-way mullion - glass maximum 3/8"

Cross mullions - glass maximum 1/4"

GLASS NOTE:

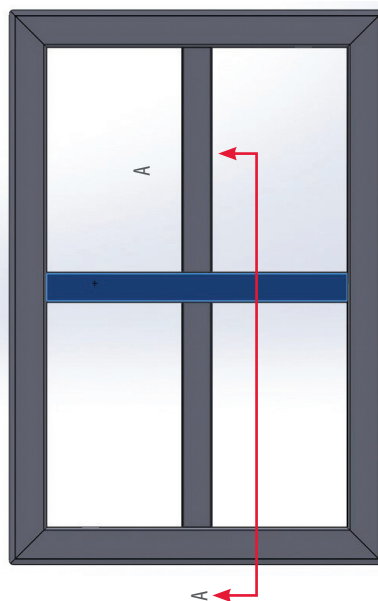
Glass must be single sheet of Listed Glazing Material to maintain fire rating.





DESCRIPTION

- Door Light Frame with formed mullions with a face dimension of 1" to 3" giving a divided light appearance.
- Available in: 18 GA.
- Painted Cold Rolled Steel, Painted Galvanized, or Stainless Steel.
- MIG welded to frame from inside mullions to provide a clean appearance.
- Maximum glass pocket in $1\text{--}\frac{3}{4}$ " door is $\frac{3}{4}$ " for styles 110/110B. Consider 117M for thicker glass.
- Maximum glass pocket for other styles is 1" for $1\text{--}\frac{3}{4}$ " door.
- Welded mullions cannot be veneer wrapped.
- Mullions are priced on a multiplier basis depending on size and complexity of the grid.
- Please call 715-223-6324 for additional information or a Quote.

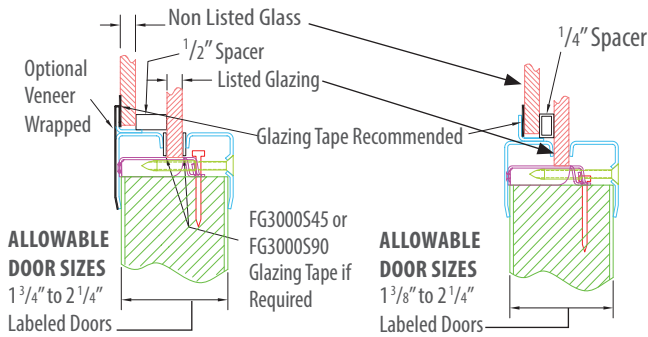


Double or Triple Glazed Frames

GLASS NOTE: See "Non-Fire Rated Glazing Recommendations" on page 11.

Pricing is available by
Email or Fax

Cross Section Views



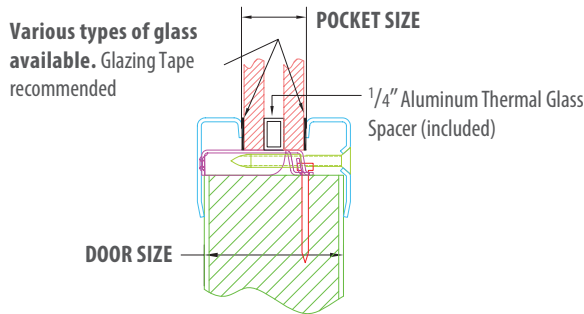
STYLE #110-D2 SHOWN (PATENT NO. 8,156,699 B2) Double Glazed
STYLE #110/#110B-T-D2 (PATENT NO. 8,156,699 B2) Triple Glazed
ORDER INFORMATION:

Order size = Visible Dimensions of Center Pane, (W+H)

Glass size = Center Pane Order size + $\frac{3}{4}$ " | Outer Pane(s) Order size - $\frac{1}{4}$ "

Cutout size = Order size + $1\frac{1}{2}$ "

UL Listed 20, 45, and 60 Minutes when seated pane is listed glazing material. The outer pane can be listed or non-listed glazing material.



STYLE #110-D1 DOUBLE GLAZED SHOWN (PATENT NO. 8,156,699 B2)
ORDER INFORMATION:

Order size = Visible Dimensions of Center Pane, (W+H)

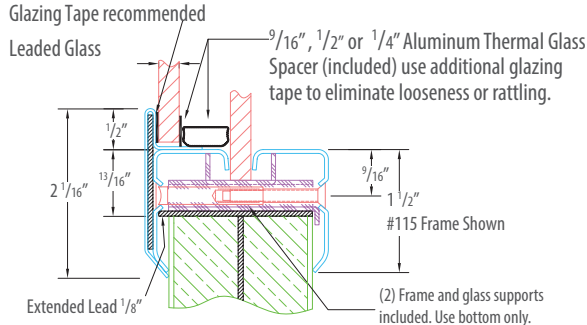
Cutout size = Order size + $\frac{3}{4}$ "

Glass size = Order size + $1\frac{1}{2}$ "

NO Fire Rating

Frames for Lead Lined Doors

GLASS NOTE: See "Non-Fire Rated Glazing Recommendations" on page 11.



STYLE #115-L1 for doors leaded under the skins or down the center (PATENT NO. 4,550,542)
ORDER INFORMATION:

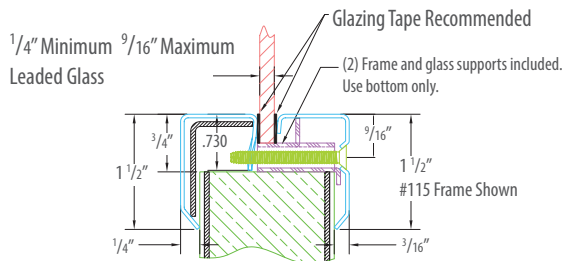
Order size = Visible Dimensions of Center Pane, (W+H)

Glass size = Center Pane Order size + $\frac{3}{4}$ " | Outer Pane(s) Order size - $\frac{3}{16}$ "

Cutout size = Order size + $1\frac{5}{8}$ "

UL Listed 20, 45, and 60 Minutes when seated pane is listed glazing material and the outer pane is Leaded Glass

MINIMUM WIDTH = $2\frac{1}{2}$ "
 MAXIMUM WIDTH OR HEIGHT = 33"



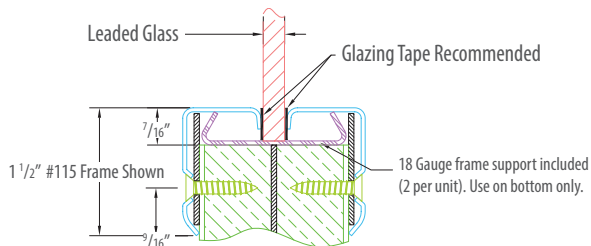
STYLE #115-L2 or #105M-L2 for doors leaded under the skins (PATENT NO. 4,550,542)
ORDER INFORMATION:

Order size = Visible Dimensions of Center Pane, (W+H)

Cutout size = Order size + $1\frac{5}{8}$ "

Glass size = Order size + $\frac{3}{4}$ "

NO Fire Rating



STYLE #115-L3 for doors leaded down the center (PATENT NO. 4,550,542)
ORDER INFORMATION:

Order size = Visible Dimensions of Center Pane, (W+H)

Cutout size = Order size + $\frac{7}{8}$ "

Glass size = Order size + $\frac{3}{4}$ "

NO Fire Rating

Stock Size Frames ship the next business day with NO up charge. Subject to management approval.

Standard and “Quick Ship” Services

Please specify shipdate on each order.

Orders are accepted for Quick Ship Service based on our Production Schedule and regular business hours listed on page 28. This is **NOT** a guaranteed service.

DOOR LIGHT FRAMES - STYLE #110

#110/#110B Style Frames manufactured for 1-3/4” Doors with 1/4” glass pocket. Beige, Gray, or Dark Bronze polyester powder coating.

STANDARD SERVICE: Your order will ship 7-10 business days after the date your order is received with NO up charges. Veneer product is available on 7-10 day service subject to our Production Schedule and availability of the veneer. See our website www.allmetalstamping.com for Veneer Species available. Call for Quote.

5 DAY SERVICE: Orders received before 1 P.M. CST/CDT will ship 5 business days following that date with a 5% Up Charge per Standard Item. Orders can include fractional and sizes from 3” to 72”.

3 DAY SERVICE: Orders received before 1 P.M. CST/CDT will ship 3 business days following that date with a 10% Up Charge per Standard Item. Orders can include fractional and sizes from 3” to 60”.

Special Service for All Frame Styles manufactured for Odd Thickness applications is available at an additional charge dependent on our Production Schedule. If your order is accepted for 5 DAY QUICK SHIP SERVICE there will be a 15% Up Charge per Item. If your order is accepted for 3 DAY QUICK SHIP SERVICE there will be a 20% Up Charge per item.

EDGE & ASTRAGAL SETS

Items are manufactured for 1-3/4” & 1-13/16” doors with standard leg dimensions and standard material requirements. Machining is as shown on AMS templates.

STANDARD SERVICE: Your order will ship 7-10 business days after the date your order is received with NO up charges. Veneer product is available on 7-10 day service subject to our Production Schedule and availability of the veneer. See our website www.allmetalstamping.com for for Veneer Species available. Call for Quote.

5 DAY SERVICE: Orders received before 1 P.M. CST/CDT will ship 5 business days following that date with a 5% Up Charge per Item. Machined and Non-Machined – includes Channels and Sets shown on Page 23 & 24. Any length to 120”.

3 DAY SERVICE: Orders received before 1 P.M. CST/CDT will ship 3 business days following that date with a 15% Up Charge for Machined items and 10% Up Charge for Non-Machined items. Includes Channels and Sets shown on Page 23 & 24. Any length to 120”.

Special Service is available for special machining, non-standard dimensions and for “T”, “Z”, and Flat Astragals; and includes “L” channels and Hinge Edge & Lock Edge Protectors. Availability of Special Service is dependent on our Production Schedule. If your order is accepted for 5 DAY QUICK SHIP SERVICE there will be a 15% Up Charge per Item. If your order is accepted for 3 DAY QUICK SHIP SERVICE there will be a 20% Up Charge per Item.

Channels with Electric Strikes will require 12 business days to manufacture and are not available for Quick Ship Service.

NOTE: An AMS Machining Template must be completed for all machined items. Call for further details. Templates are available on our website www.allmetalstamping.com

Stock Size Frame List Style #110 Low Profile Door Light Frames

**Stock Service Must be Requested.
If Accepted, Orders Ship the Next
Business Day at NO Up Charge.**

Orders are accepted for Quick Ship Service based on our Production Schedule and regular business hours listed on page 28. This is **NOT** a guaranteed service.

ORDER SIZE Width X Height	EXPOSED GLASS Sq. Inches	CUTOUT SIZE Width X Height
3 X 33	99	4-1/2 X 34-1/2
4 X 24	96	5-1/2 X 25-1/2
4 X 25	100	5-1/2 X 26-1/2
5 X 20	100	6-1/2 X 21-1/2
6 X 30	180	7-1/2 X 31-1/2
10 X 10	100	11-1/2 X 11-1/2
22 X 28	616	23-1/2 X 29-1/2
22 X 30	660	23-1/2 X 31-1/2
24 X 30	720	25-1/2 X 31-1/2

PROVISIONS

1. All Stock Orders are pending approval of the General Manager based upon current orders in process.
2. Stock Orders received before 1 P.M. CST/CDT will ship the next business day at NO up charge if all other conditions are met.
3. Stock Orders are limited to 50 Units, orders over 50 Units will require additional manufacturing time.
4. Please DO NOT MIX stock items and longer delivery items on the same order. You must request Stock Service or we will assume your order can be processed under our Regular Service.
5. Stock Door Light Frames are manufactured for 1-3/4" Doors with 1/4" Glazing Pocket and are painted with Beige polyester powder coating ONLY.

Stock Orders no longer need to be ordered in Box Quantity. You can order 1 to 50 Units per Order. If you have a larger order please contact us and we will provide you with a Ship Date.

Pricing is the same as shown on Price Table in the Price Guide. Please request a Price Guide which we can provide to you by email.



Edge and Astragal sets are Listed to 90 Minute UL.

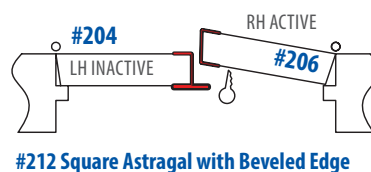
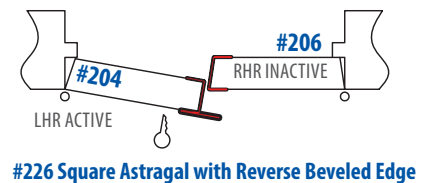
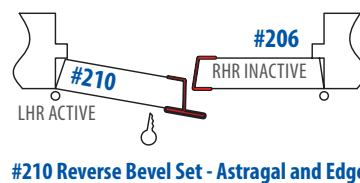
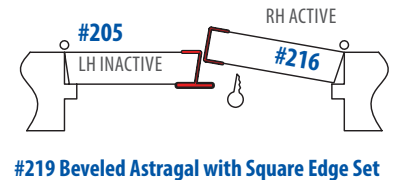
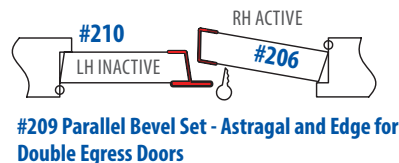
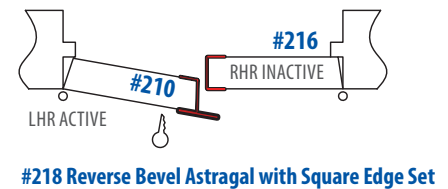
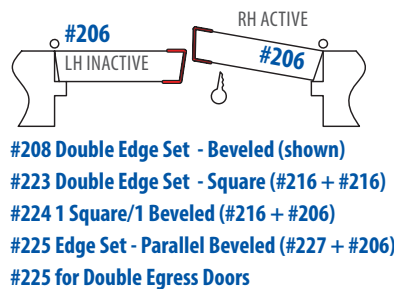
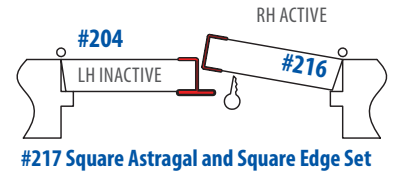
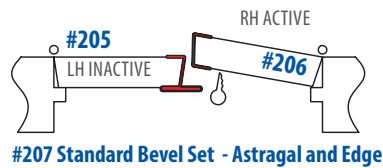
Double Edge sets are Listed to 90 Minute UL.

Listed under both Neutral and Positive Pressure Standards.

UL Listed Edge and Astragal Sets

UL Listed in Steel and Stainless Steel.

UL Listed with Veneer Wrapping - Neutral and Positive Pressure.



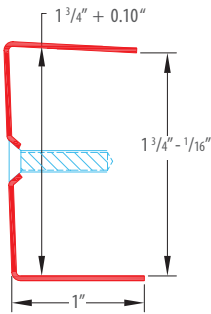
OTHER ITEMS

- Lead Lined Astragals
- Dutch Door and Transom Channels - #222
- Dutch Door Shelves
- "T", "Z", and Flat Astragals
- Hinge Edge and Lock Edge Protectors
- Aluminum Door Flashings
- Standard Finish is Beige, Gray or Dark Bronze Powder Paint
- All Bevels are 1/8" in 2"
- Punched and coined for #8 x 3/4 Phillips Flat Head Screws (included)
- Hole Centers 12" or less, 3 1/2" Maximum from Ends and Machined Openings
- AMS Machining Templates must be completed for each Machined Item (forms available on website)
- All items available in stainless steel
- Veneer Wrapping Available

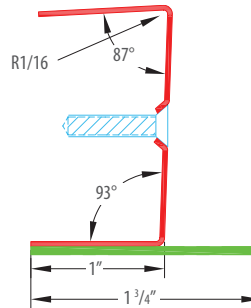
Edge and Astragal Specifications

Pricing is available by
Email or Fax

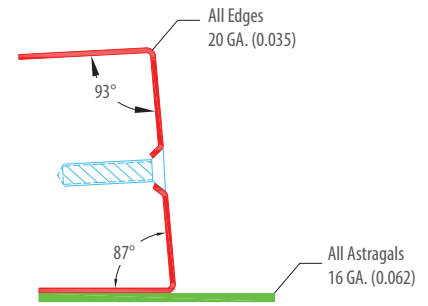
Standard Edges are 20 GA. (.035) CRS Astragal Flanges are 16 GA. (.062) CRS



- #206 Beveled Edge (shown)
- #216 Square Edge (no bevel)
- #227 Beveled Edge Machined w/Strike open to low side of bevel
- #231 "L" Shaped Lock Edge Protector - Beveled
- #233 "L" Shaped Lock Edge Protector - Square

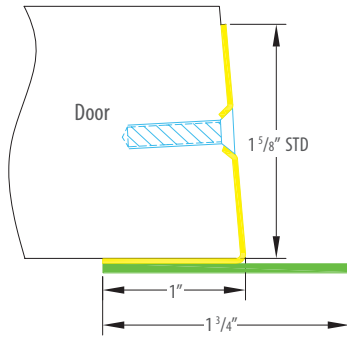


#205 Standard Beveled Astragal

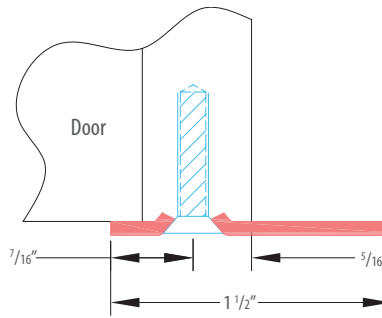


- #210 Reverse Beveled Astragal
- #204 Square Astragal (No Bevel)

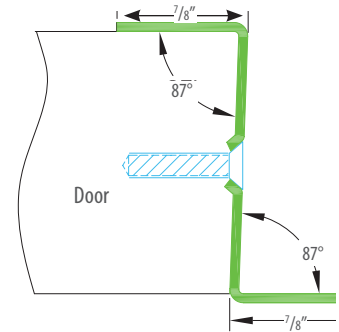
"T" (18 Ga.), "Z" (16 Ga.) and Flat Astragals (14 Ga.)



- 18 GA. (.048) CRS Edge / 16 GA. (.062) Astragal**
- #229 "T" Astragal - Reversed Bevel (shown)
 - #213 "T" Astragal - Beveled
 - #214 "T" Astragal - Square

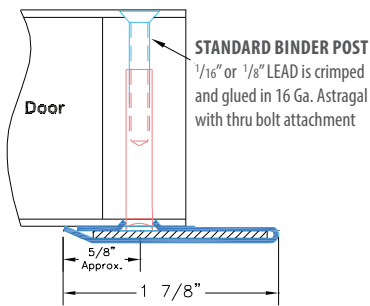


- 14 GA. (.074) CRS**
- #215 Flat Astragal

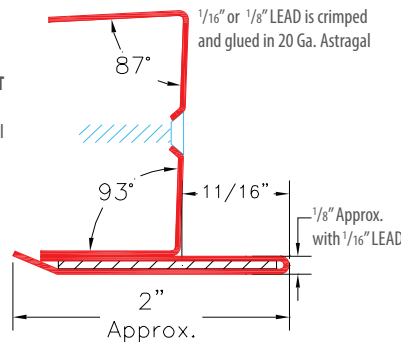


- 16 GA. (.062) CRS Standard**
- #238 "Z" Astragal - Beveled (shown)
 - #239 "Z" Astragal - Reverse Bevel
 - #237 "Z" Astragal - Square

Lead Lined Astragals

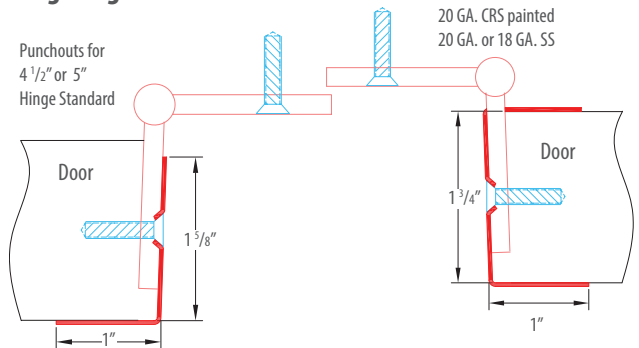


- 18 GA. (.048) CRS Edge Standard**
- #236 Lead Lined Flat Astragal (no fire ratings)
- UL Listed for Steel Doors ONLY



- #205L Lead Lined Astragal Standard Bevel (shown)
 - #204L Lead Lined Astragal Square (no bevel)
 - #210L Lead Lined Astragal Reverse Bevel
- UL Listed to 90 minutes

Hinge Edge Protectors



- #232 "L" Shaped - Beveled
- #235 "L" Shaped - Square
- #230 "U" Shaped - Beveled
- #234 "U" Shaped - Square

Available in:
20 GA. CRS painted
20 GA. or 18 GA. SS



UL Ratings for Door Edge & Astragal

Astragal & Edges on pages 23 & 24, are approved for use on Wood or Plastic faced doors rated up to 90 Minutes and Hollow Metal, Steel covered composite doors rated up to 3 hours.

Exception: Style #236 Lead Lined Flat Astragals for use on Steel Doors up to 3 hours.

Material: 20, 18, or 16 GA. Steel, Galvanized Steel, or Stainless Steel.

- Exceptions:**
1. Style #215 Flat Astragal 14 GA. Standard.
 2. Style #236 Lead Lined Flat Astragal 18 GA. ONLY.
 3. Styles #237, #238, and #239 "Z" Astragals 16 GA. Standard.
 4. Styles #213, #214, and #229 "T" Astragals 18 GA. Standard.

Astragal Overlap Lengths: ½" to 3½" Maximum.

Leg Lengths: Can vary between ½" to 3½".

Exceptions: Styles 231, 232, 233, 235, 213, 214, 229, 237, 238, 239 - ½" to 2" Maximum.

Door Thicknesses: 1 ¾" to 2 ¼" thick doors up to 120" in length.

Lead Lined: Lead thickness can vary from 1/16" to 3/8".

Veneer wrapped: All Styles approved to be veneer wrapped up to 90 Minute Neutral and Positive Pressure.



Concealed Vertical Rod 5" Metal Channels

MATERIAL: 20 GA. Galvanized Steel
Powder Painted Beige, Grey, Dark Bronze

SPECIALS: 20 GA. SS w/
#4 Brushed Finish
Veneer Wrapped

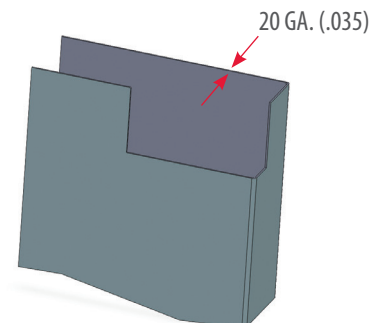
For Wood Doors

AMS PART NO.	DEVICE MANUFACTURER	SERIES
251	Von Duprin Series	9847/9947
251A	Von Duprin CVC Series	9849/9949
251B	Von Duprin CVC Series	9850/9950
252	Von Duprin Series	5547
253	Von Duprin Series	3347/3547
254	DORMA Device	4100/6100
255	Sargent Device	8600
256	Adams Rite Device	3900/8900
257	Yale Device	7100
258	Monarch/Falcon Device	(F) 17-24-18-25-XX-C
260	Arrow Device	F3600
261	Corbin Russwin Device	5800
262	Precision Device	FL 1700/1700
263	Sargent Device	PP8600 & PR8600
264	DORMA Device	9100
264A	DORMA Device	9600
265	Precision Device	FL 2700/2700
266	DORMA Device	5100
267	Von Duprin Series	3347A/3547A
267A	Von Duprin CVC Series	3350A/3550A
268	Sargent Vertical Lock Devices	WD 7000
269	Monarch/Falcon Centerslide Devices	(F) 17-24-18-25-XX-C
270	Stanley Series (Black & Decker)	QED 100
271	Hager CVR Series	4500
272	Detex CVR Series	7000
273	Cal-Royal Series	W77CVR/W98CVR
274	Lawrence Series	LH8850/8650
275	Schlage Series	LM9200
276	PDQ Series	6200CV(F)
277.5	Corbin Russwin Series	FE6800 MPL

A completed AMS Template must accompany your order.

Templates are available on our website www.allmetalstamping.com

20 GA. GALVANIZED CHANNEL (.035)
Adds an additional 1/32" to the Edge of your door.



UL Listed with the same parameters
as our standard products.

Veneer Wrapped Products

Door Light Frames

See page 3-4, 13-15 & 20.

Astragal and Edge Sets

See page 23 & 24.

5" Channels

See page 26.

SPECIES: Red Oak, White Birch, and Cherry standard. Other Species are available upon request. Price and lead time are dependent on species, length, and cut requested. Request quote.

FINISH: Ready to stain and seal.

LEAD TIME: 7-10 business days from the date the order is received.
Subject to availability of veneer.

NOTE: Product for interior use ONLY.

OUR VENEER SUPPLIER OFFERS THESE TIPS TO ENSURE YOUR PRODUCT IS FINISHED CORRECTLY:

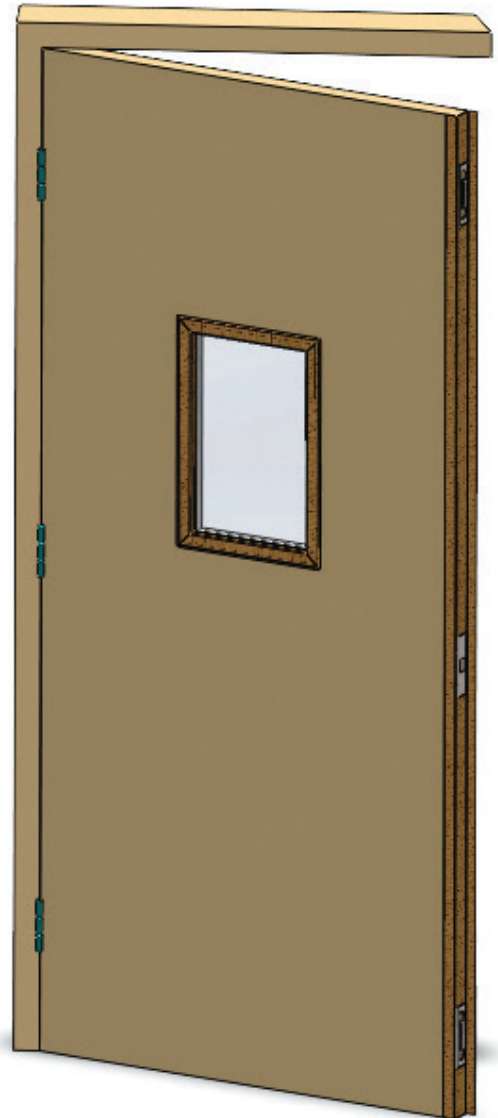
- Always test finish your product for compatibility.
- This veneer is pre-sanded - a clean sanding is all that is needed.
- Apply sealer and allow to dry.
- Use finishes with a high percent of solids.
- Do not rush the finishing.
- Lacquer, varnish, epoxy, urethane, and polyesters have all been used successfully.

DISCLAIMER:

Wood veneer owes its inherent beauty to variations in grain, color, texture and pattern occurring as a result of nature. Veneers from different regions of the country or world can have different variations IN grain, color, texture and pattern. All Metal Stamping, Inc., does not guarantee the grain, color, texture or pattern of any veneer products sold. Please contact us if you require a close match to your doors. A sample veneer will be required so we can compare to our stock, or send onto our supplier.

PLEASE NOTE: This will add considerable time to our ability to deliver product and may affect price if a special order is required.

TYPICAL INSTALLATION



PRICES

Subject to change without notice.

TERMS OF SALE

1% 10 Net 30 days with pre-approved credit. All other shipments will be C.O.D. or Prepaid.
Interest of 1.5% per month will be charged on all past due balances.

RECEIPT OF ORDERS

We are not responsible for orders lost in transit. We cannot guarantee we received your faxed order. If your order is urgently needed request an Order Confirmation. Our daily cutoff time is 1 P.M. CST/CDT for all Orders. Orders can be placed 24/7.

BUSINESS HOURS

Normal Production Hours are Monday through Thursday, 7:00 AM to 3:30 PM excluding Holidays or periods when we are shutdown. We normally do not have production or shipping on Fridays. The Office is open Monday through Friday, 7:00 AM to 4:30 PM. Quick Ship and Standard Lead times are based on our Production Hours.

SHIPPING

All Orders are shipped FOB Abbotsford, Wisconsin. Parcel shipments will be shipped prepaid with freight charges added to the invoice amount. Truck shipments will be freight collect unless prior arrangements are made to ship prepaid. We will attempt to honor shipping instructions but reserve the right to use our best judgment to determine method of shipment. Seller assumes no liability for loss or damage of product in transit. The costs of special packaging such as Crates, or boxes reinforced with OSB Board, regular skids and custom built skids will be added to the Shipping charges on all Invoices.

CANCELLATIONS AND CHANGES

Orders for special made or non stock size products are not subject to cancellation by the customer once production has started. Changes to orders that have been entered into the system will receive a \$10.00 Order Change Charge; changes to orders in process but before production has begun will receive a \$20.00 Order Change Charge.

RETURNED MERCHANDISE

No merchandise may be returned without prior permission. Machined Astragal & Edges, 5" Metal Channels, and Door Light Frames other than standard units cannot be returned. On items which are accepted for return a charge will be assessed to cover the cost of handling and any rework that may be required. The restocking charge will be based on the condition of the material and its purchase price. All returns must be shipped to us PREPAID.

SURCHARGES

Due to the ever changing market for Stainless Steel we have added a Stainless Steel Surcharge, which took effect 3/15/10. The Surcharge percentages will be updated monthly based on the surcharges reported on the Allegheny-Ludlum website.

LIMITATION OF LIABILITY

Manufacturer's liability for damages shall not exceed the purchase price of the material claimed to be defective. Buyer assumes responsibility to verify and determine that color, finish, and quality of materials meet specifications of the Order. No claim shall be allowed unless the original Purchaser gives notice to manufacturer within 30 days from date materials are received. If color match, finish quality, or glass and cutout fit are not satisfactory, DO NOT INSTALL. UPON INSTALLATION OUR LIABILITY ENDS. **Manufacturer's only obligation shall be replacement, refinishing, or refund of the original purchase price, at our option.** This warranty does not apply to door hardware which has been abused, altered, improperly installed, used with incompatible or inappropriate components (EX. Oversized Glass), exposed to corrosive environments, or environments for which the product is not intended. No material shall be returned without prior authorization. This warranty extends only to the original Purchaser who is buying the hardware from All Metal Stamping, Inc. for purposes of resale or use in the ordinary course of their business.