



411 W Spruce St.  
Abbotsford, WI 54405  
715.223.6324

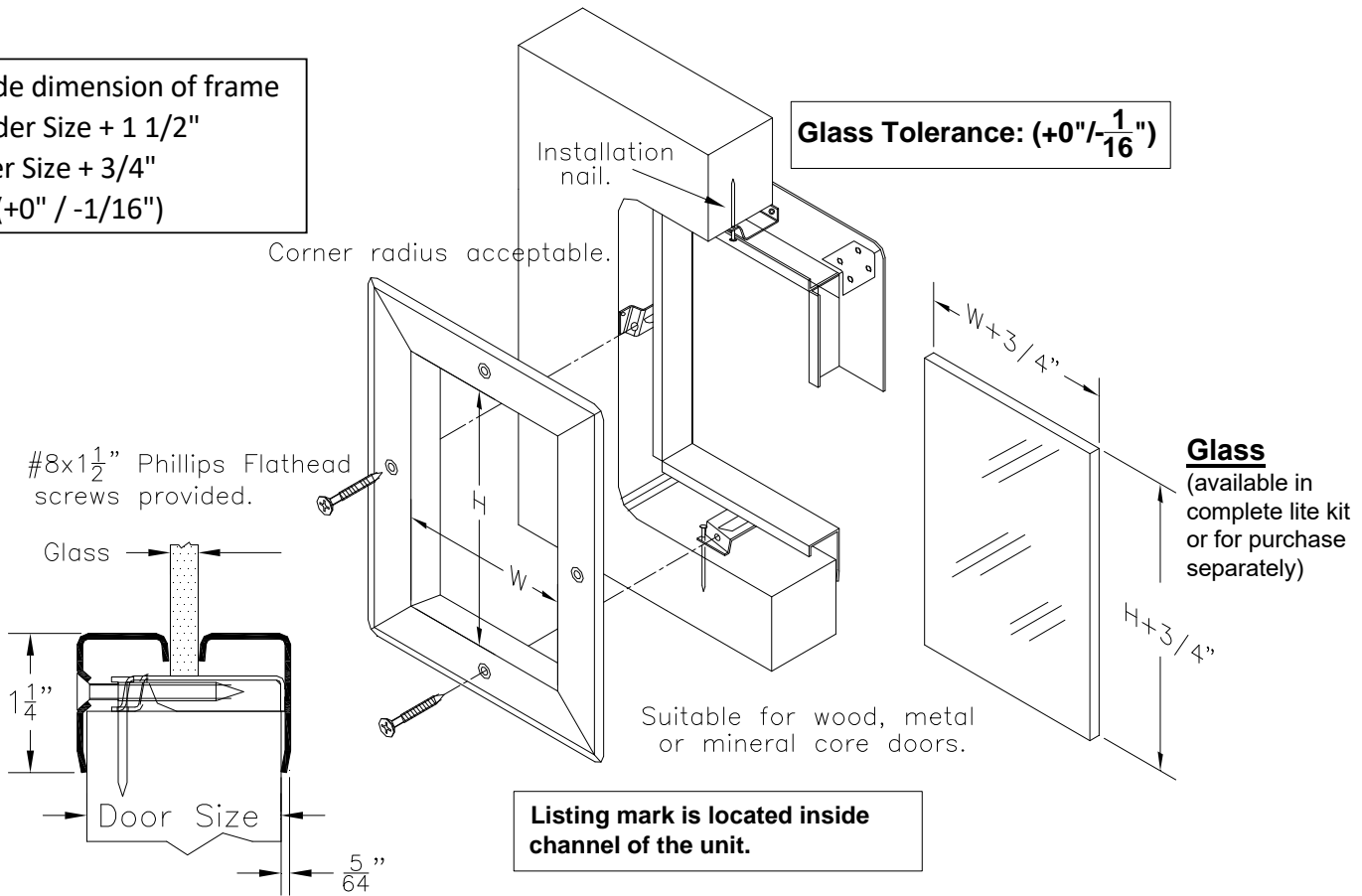
# INSTALLATION INSTRUCTIONS for MODEL 110 FIRE DOOR LITE FRAME

(See package label for Model # and Order Size)

For top coating instructions, see page 2



Order Size = Inside dimension of frame  
Cutout Size = Order Size + 1 1/2"  
Glass Size = Order Size + 3/4"  
Glass Tolerance (+0" / -1/16")



**NOTE ON GLAZING TAPE:** Some types of glass & some very large frames require glazing tape. Scan the QR Code (right) or visit [www.allmetalstamping.com](http://www.allmetalstamping.com) for a listing of approved glazing, fire ratings, or additional installation requirements such as tape or intumescent.



## Steps to Install

1. Make door cutout 1 1/2" larger than order size (inside dimensions).

**For Steel Doors:** Refer to door manufacturer's installation instructions. If approved to use a clip system, refer to Page 2, otherwise reinforce the cutout per your UL/WHI procedure or follow the AMS procedure on Page 2.

**IMPORTANT: Remove plastic weld nut covers before installing.**

2. For one-person installation, set frame half with weld nuts in cutout. With frame seated against door face, nail bottom and top into cutout with nails provided. Now your hands are free to complete the installation.
3. Set glass and 2nd half of unit.
4. Install screws. **DO NOT OVER-TIGHTEN SCREWS.** Uneven tightening or over-tightening can cause glass breakage.

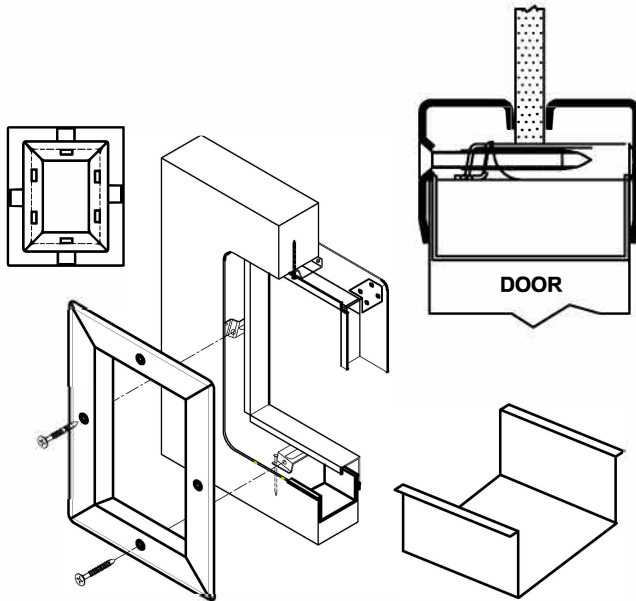
# Top Coating Instructions

**Standard Finish:** Beige, Gray, or Dark Bronze polyester powder coatings. These coatings are tough, corrosion resistant and provide a very durable surface. Special colors are lacquer, industrial enamel, or powder coatings dependent on color.

**Top Coating Fire Door Hardware:** Many top coats have good compatibility with powder coatings. Exceptions are some enamels, many latex, and water based paints. It is necessary that the surface be thoroughly sanded prior to the application of any top coat. Make sure the surface is clean and dry. To ensure compatibility, test paint a small area on a non-visible portion of the product and check for proper adhesion before proceeding. Final finish of the product is the responsibility of the purchaser. We do not warrant the suitability of the product for any particular application.

---

## Installation Instructions Hollow Metal Door Clip (24 Ga. Galvanized Steel)



Refer to door manufacturer's installation instructions. If approved to use a clip system follow those instructions as to the number of clips required.

### Minimum Requirements

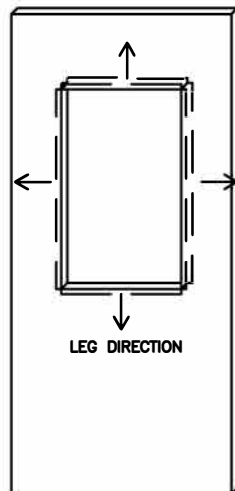
A minimum of 1 clip per side - centered.  
Any side over 50" requires 2 clips per side evenly spaced.

Door Thickness: 1 $\frac{3}{4}$ " Doors ONLY.

AMS Part No.: 1175-A08

---

## Installation Instructions Hollow Metal Door Perimeter Channels (18 Ga. CRS)



1. Cut top, bottom, and side channels the same length as the cutout dimensions.
2. Install channels by tapping into the opening until channels are flush with cutout.
3. Tack weld into place.

---

**LIMITED WARRANTY:** ALL METAL STAMPING, INC. WARRANTS ALL DOOR HARDWARE TO BE FREE FROM DEFECTS IN MATERIALS AND WORKMANSHIP. Purchaser assumes responsibility to verify and determine that color, finish, and quality of materials will meet required specifications. No claim shall be allowed unless Purchaser gives notice to manufacturer within 30 days from the date materials are received. If color match, finish quality, or glass and cutout fit are not satisfactory, **DO NOT INSTALL. UPON INSTALLATION THIS WARRANTY ENDS. Manufacturer's only obligation shall be replacement, refinishing, or refund of the original purchase price, at our option. THESE ARE THE EXCLUSIVE REMEDIES PROVIDED, AND ALL METAL STAMPING, INC. SHALL NOT BE LIABLE FOR ANY OTHER DAMAGES, INCLUDING ANY OTHER DIRECT, INDIRECT, INCIDENTAL OR CONSEQUENTIAL DAMAGES.** This warranty does not apply to door hardware which has been abused, altered, improperly installed, used with incompatible or inappropriate components (EX. Oversized Glass), exposed to corrosive environments, or environments for which the product is not intended. No material shall be returned without prior authorization. This warranty extends only to the original Purchaser who is buying the hardware from All Metal Stamping, Inc. for purposes of resale or use in the ordinary course of their business.