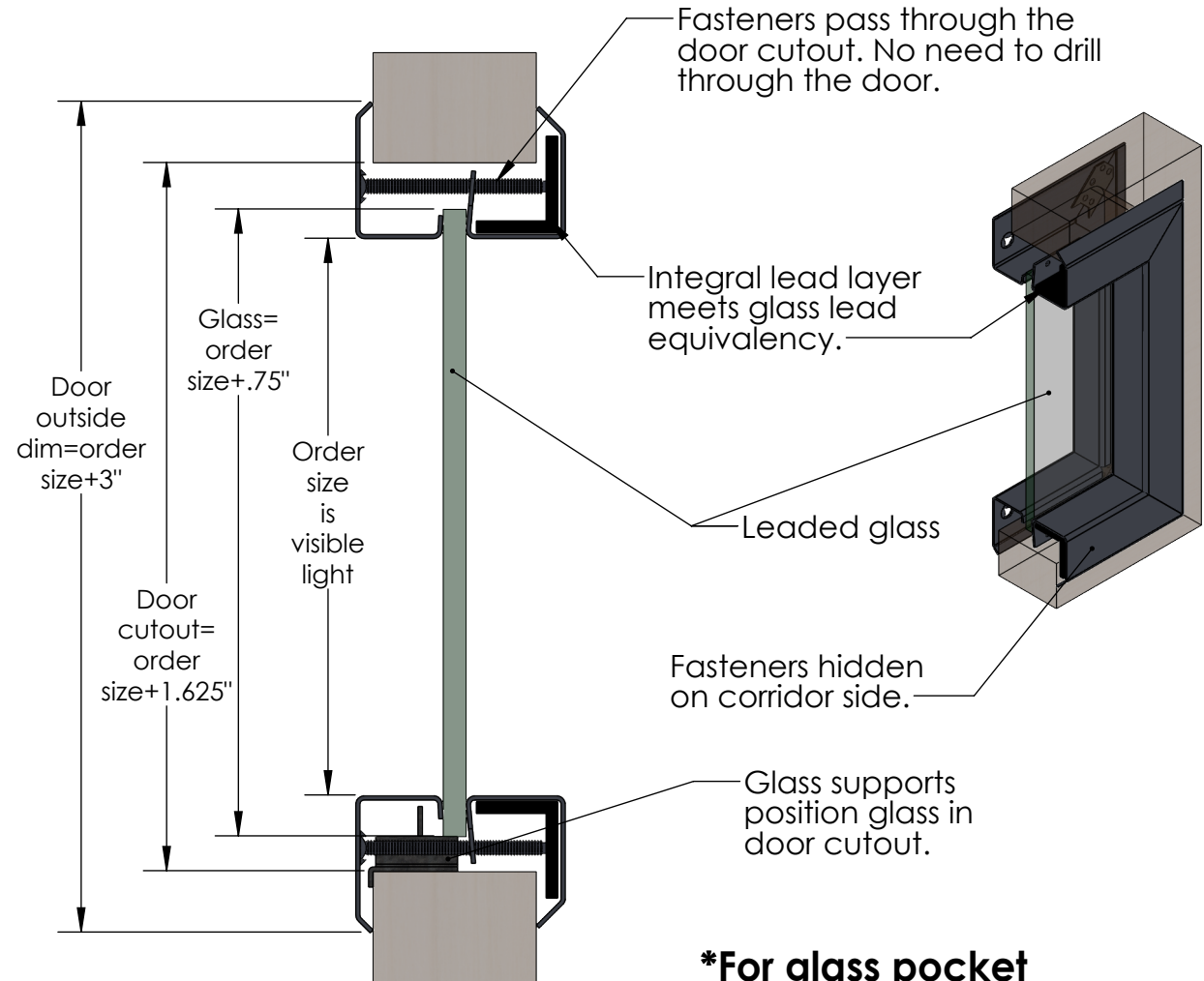
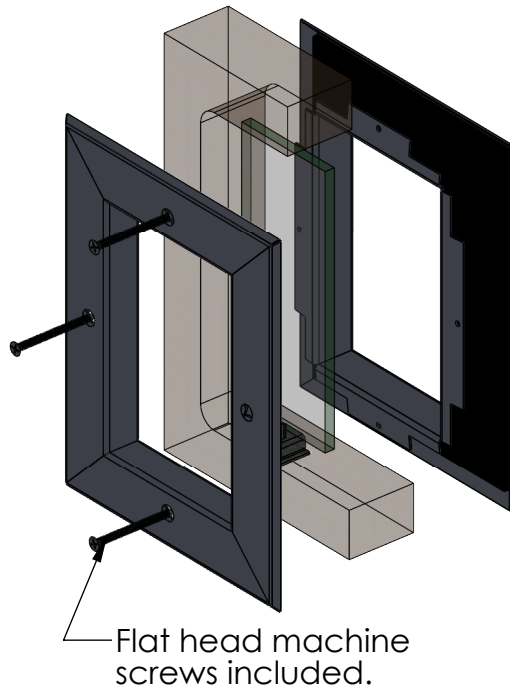


Model 115-L2

Fire-rated when the glass meets appropriate fire ratings.
Lead-lined to hold leaded glass.



This frame may be installed with most fire-rated glazing material that has approval for conformance to ANSI/UL 10B, ANSI/UL 10C, NFPA 80, NFPA 252, or CAN/ULC S104. Contact AMS for frames intended for use with resistive glass.



Materials & Finish

18 ga mild steel standard.
Galvanized or stainless steel available.
Extremely durable powder coating.
Beige, gray & dark bronze standard.
RAL & custom colors available.
Real wood veneer.

***For glass pocket greater than 1/4" use Model 105M-L2.**