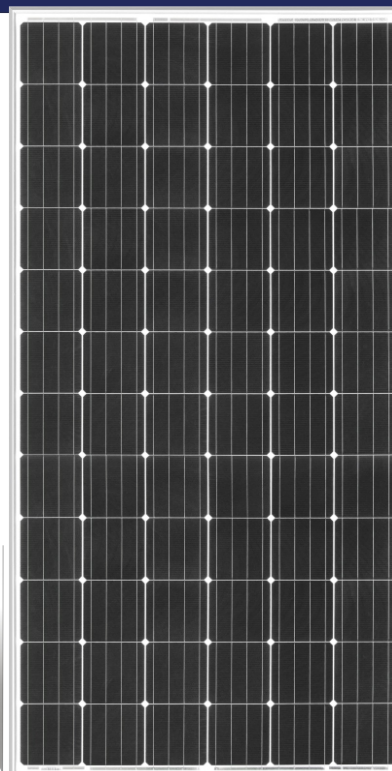




KSUN-156M 320 – 345W



KEY FEATURES



PID resistant



Excellent module efficiency



Positive power tolerance to +5W



100% electroluminescence



Heavy snow load 5400 Pa

Wind load 2400 Pa



IP67 junction box for long term endurance



10 years product warranty



25 years linear power warranty

SHENZHEN KHK COMMERCIAL COMPANY LIMITED is a high-tech PV enterprise dedicated to research & development, production, sales & after sales service, mainly engaged in crystalline silicon solar cells, solar panels, photovoltaic systems, and PV applications. Ksun is committed to offer high quality solar components, systems and services to customers around the world.

MANAGEMENT SYSTEMS CERTIFICATES



Management System
ISO9001:2008
www.tuv.com
ID 9105016347

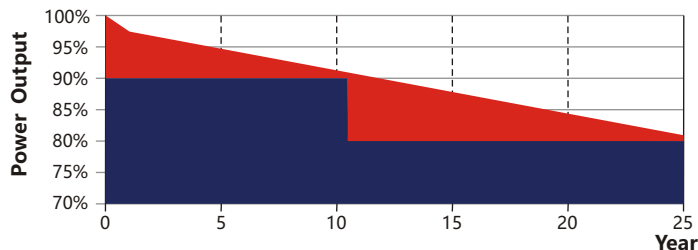
PRODUCT CERTIFICATES



LINEAR PERFORMANCE WARRANTY

10 year Product Warranty | 25 year Power Output Warranty

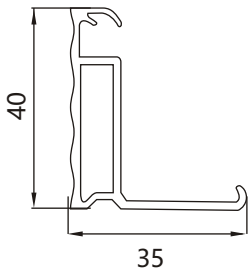
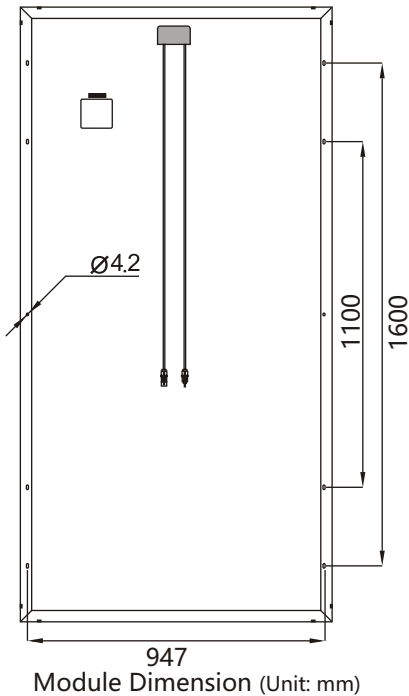
■ Ksun Solar ■ Industry Standard



SHENZHEN KHK COMMERCIAL COMPANY LIMITED.

Address2: Bldg 11, Asia Industry park .No.
18, fengmengRD. Gantou, Bantian, Shenzhen, China
TEL: 008613510106017 Email: angel@khksolar.com
Web: www.khksolar.com

KSUN72-156M 320 – 345W



ELECTRICAL CHARACTERISTICS

Maximum Power P_{mp} , [Watt]	320	325	330	335	340	345
Power Tolerance, [W]	0 / +5					
Voltage at Maximum Power Point V_{mpp} , [V]	36.90	37.10	37.30	37.50	37.71	37.91
Current at Maximum Power Point I_{mpp} , [A]	8.69	8.77	8.85	8.93	9.02	9.10
Open Circuit Voltage V_{oc} , [V]	45.60	45.80	45.99	46.21	46.43	46.65
Short Circuit Current I_{sc} , [A]	9.21	9.28	9.35	9.42	9.50	9.57
Module Efficiency, [%]	16.5	16.7	17.0	17.3	17.5	17.8

Measurements under Standard Test Conditions (STC)
Irradiance 1000W/m², AM1.5G Spectrum and Cell Temperature 25°C

MECHANICAL CHARACTERISTICS

Cell Type	Mono-crystalline, 156.75mm × 156.75mm
Cell Configuration	72 cells (6 × 12)
Module Dimension	1956mm × 992mm × 40mm
Module Weight	25.5 Kg
Glass	4.0mm , low Iron tempered Solar Glass
Frame	Anodized Al alloy Type 6063 T5; Sliver grey
J-Box	Potted, IP67, 1000V DC, IEC & UL certified
Cable	4.0mm ² / 12 AWG, 1000 mm, IP67
Connectors	QC4.10

THERMAL CHARACTERISTICS

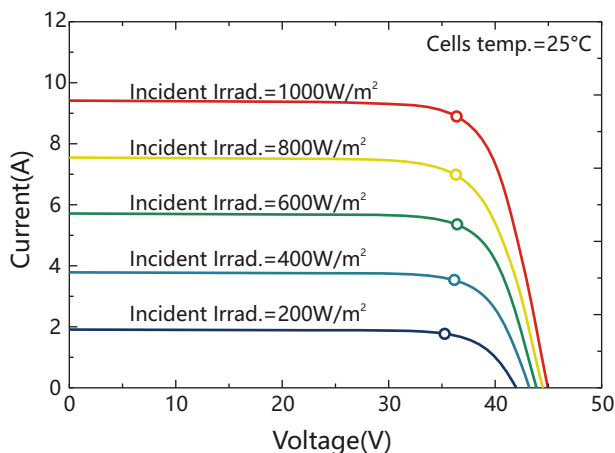
Nominal Operating Temperature NOCT	45 ± 2°C
Temperature Coefficient of I_{sc} , α	+0.06 %/°C
Temperature Coefficient of V_{oc} , β	-0.34 %/°C
Temperature Coefficient of P_{max} , γ	-0.41 %/°C

MAXIMUM OPERATING INSTRUCTIONS

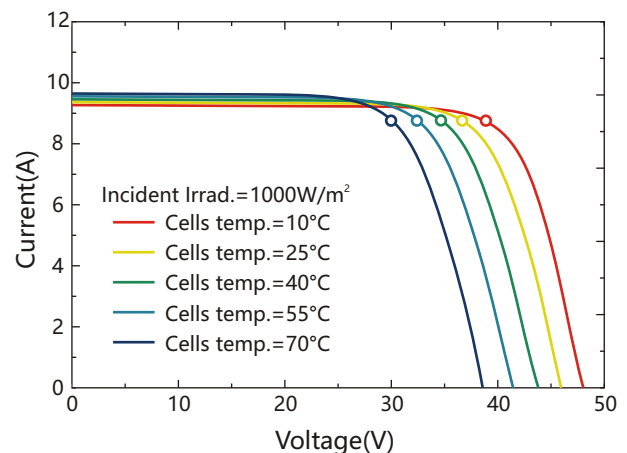
Operating Temperature	-40°C to +85°C
Maximum System Voltage	1000V
Maximum Series Fuse Rating	15A

PACKING INSTRUCTIONS

Number Of Modules Per Box / Pallet	26
Number of Pallets / 40' Container	22



Best performance at Low Irradiance, +97% relative Module Efficiency from an Irradiance of 1000W/m² to 200W/m²



DISCLAIMER: Specifications included in the datasheet are subject to change without prior notice owing to continuous innovation on the Product Development and R&D activities . Ksun Solar reserves the right to make any adjustment to the information described here. Dataset contained in this specification do not form a representative of a single module's data.