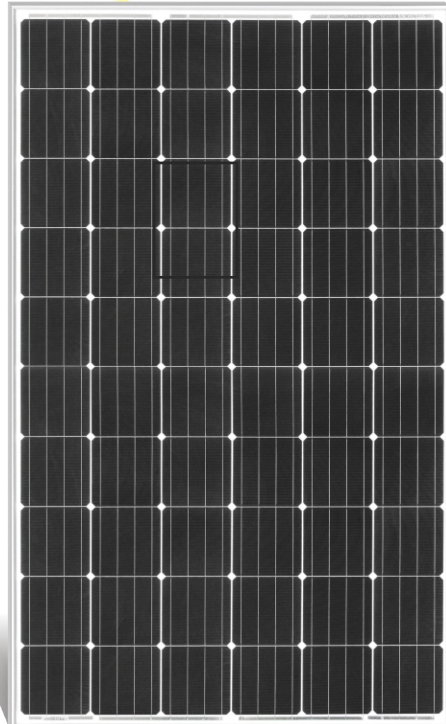




KSUN 60-156M 265 - 290W



KEY FEATURES



PID resistant



Excellent module efficiency



Positive power tolerance to +5W



100% electroluminescence



**Heavy snow load 5400 Pa
Wind load 2400 Pa**



**IP67 junction box for long term
endurance**



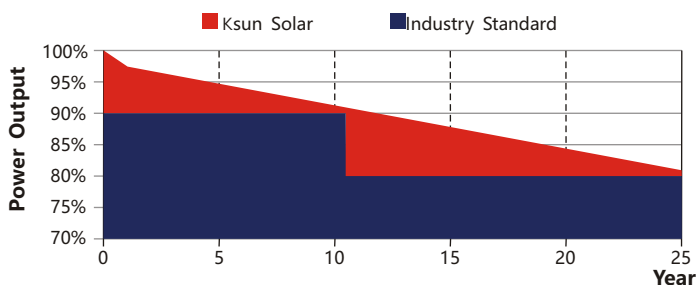
10 years product warranty



25 years linear power warranty

LINEAR PERFORMANCE WARRANTY

10 year Product Warranty | 25 year Power Output Warranty



SHENZHEN KHK COMMERCIAL COMPANY LIMITED is a high-tech PV enterprise dedicated to research & development, production, sales & after sales service, mainly engaged in crystalline silicon solar cells, solar panels, photovoltaic systems, and PV applications. We are committed to offer high quality solar components, systems and services to customers around the world.

MANAGEMENT SYSTEMS CERTIFICATES



Management System
ISO9001:2008
www.tuv.com
ID 9105016347

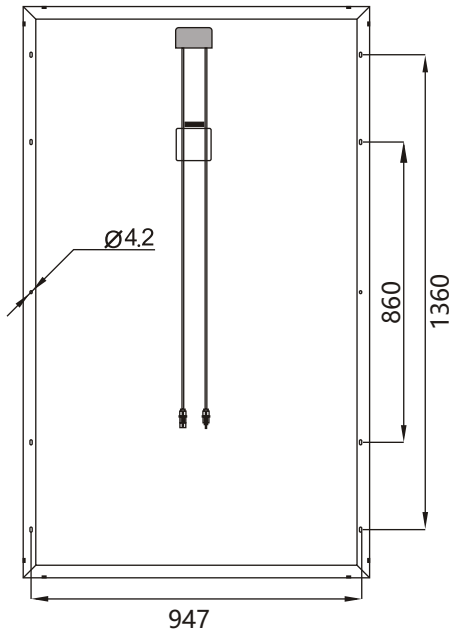
PRODUCT CERTIFICATES



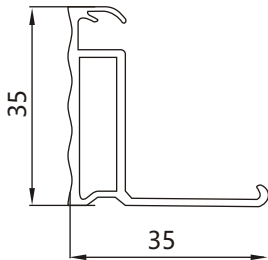
SHENZHEN KHK COMMERCIAL COMPANY LIMITED.

Address2: Bldg 11, Asia Industry park .No.
18, fengmengRD. Gantou, Bantian, Shenzhen, China
TEL: 008613510106017 Email: angel@khksolar.com
Web: www.khksolar.com

KSUN60-156M 265 – 290W



Module Dimension (Unit: mm)



Frame Dimension (Unit: mm)

ELECTRICAL CHARACTERISTICS

Maximum Power P_{mp} , [Watt]	265	270	275	280	285	290
Power Tolerance, [W]	0 / +5					
Voltage at Maximum Power Point V_{mpp} , [V]	30.46	30.67	30.88	31.09	31.30	31.51
Current at Maximum Power Point I_{mpp} , [A]	8.70	8.80	8.91	9.01	9.11	9.20
Open Circuit Voltage V_{oc} , [V]	38.17	38.25	38.42	38.57	38.73	38.90
Short Circuit Current I_{sc} , [A]	9.19	9.29	9.38	9.47	9.56	9.65
Module Efficiency, [%]	16.3	16.6	16.9	17.3	17.6	17.9

Measurements under Standard Test Conditions (STC)
Irradiance 1000W/m², AM1.5G Spectrum and Cell Temperature 25°C

MECHANICAL CHARACTERISTICS

Cell Type	Mono-crystalline, 156.75mm × 156.75mm
Cell Configuration	60 cells (6 × 10)
Module Dimension	1640mm × 992mm × 35mm
Module Weight	18.2 Kg
Glass	3.2mm , low Iron tempered Solar Glass
Frame	Anodized Al alloy Type 6063 T5; Sliver grey
J-Box	Potted, IP67, 1000V DC, IEC & UL certified
Cable	4.0mm ² / 12 AWG, 1000 mm, IP67
Connectors	QC4.10

THERMAL CHARACTERISTICS

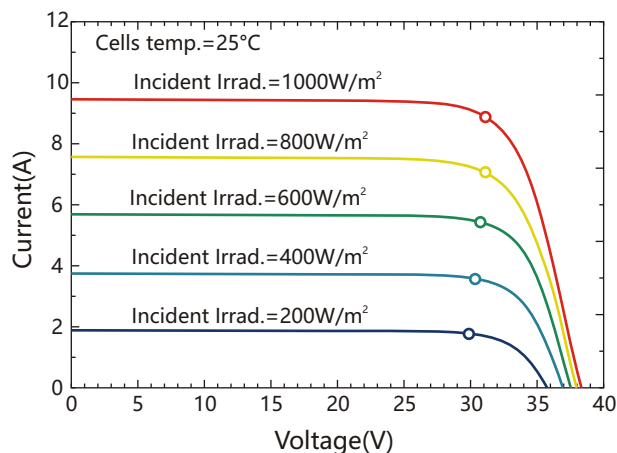
Nominal Operating Temperature NOCT	45 ± 2°C
Temperature Coefficient of I_{sc} , α	+0.06 %/°C
Temperature Coefficient of V_{oc} , β	-0.34 %/°C
Temperature Coefficient of P_{max} , γ	-0.41 %/°C

MAXIMUM OPERATING INSTRUCTIONS

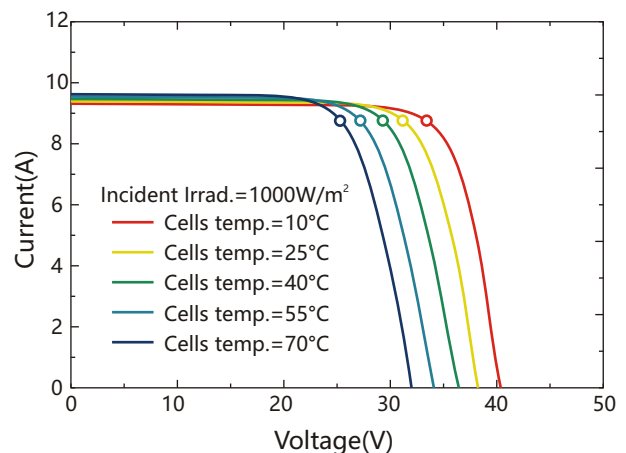
Operating Temperature	-40°C to +85°C
Maximum System Voltage	1000V
Maximum Series Fuse Rating	15A

PACKING INSTRUCTIONS

Number Of Modules Per Box / Pallet	30
Number of Pallets / 40' Container	28



Best performance at Low Irradiance, +97% relative Module Efficiency from an Irradiance of 1000W/m² to 200W/m²



DISCLAIMER: Specifications included in the datasheet are subject to change without prior notice owing to continuous innovation on the Product Development and R&D activities. Ksun Solar reserves the right to make any adjustment to the information described here. Dataset contained in this specification do not form a representative of a single module's data.