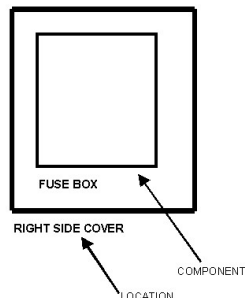


Sheet: Symbols S1 S2 S3 S4 S5 S6 S6a S7 APa BULBS INTERLOCKS (PRINT)  
Click here to e-mail RP Brown with any comments you may have.

ST/TOUR SYMBOLS

GENERAL NOTES:

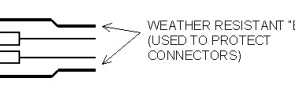
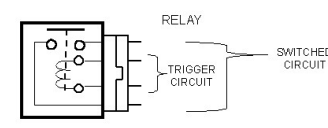
- ORIENTATION** - WHERE PRACTICAL, THESE WIRING DIAGRAMS ARE LAYED OUT AS IF YOU ARE STANDING ON THE RIGHT SIDE OF THE BIKE, FACING THE RIGHT SIDE COVER, I.E. COMPONENTS TOWARD THE FRONT OF THE BIKE WILL BE TO THE RIGHT ON THE PAGE.
- GROUNDINGS** - FOR CLARITY, GROUND WIRES ARE ONLY REFERENCED ON CIRCUIT DIAGRAMS. THE COMPLETE GROUND BUS IS CONTAINED ON SHEET 7.
- WIRING** - ONLY THE WIRING THAT IS PERTINENT TO THE SUBJECT CIRCUIT IS SHOWN. ALL OTHER WIRING IS SHOWN AS DASHED LINES WITH A REFERENCE TO THE SHEET WHERE THEIR RESPECTIVE CIRCUITS ARE DISPLAYED.
- WIRING IDENTIFICATION** - WIRING IS COLOR CODED, EITHER A SOLID COLOR, OR A SOLID COLOR WITH A TRACE OF A SECOND COLOR. "RED/LT" WOULD INDICATE A RED WIRE WITH A LIGHT GREEN TRACE.
- CIRCUIT FOLLOWING** - THE EASIEST WAY TO FOLLOW A PARTICULAR CIRCUIT IS TO START AT THE FUSE (GENERALLY TO THE LEFT SIDE OF THE PAGE), AND FOLLOW THE WIRING FROM IT TO THE VARIOUS SWITCHES AND DEVICES THAT IT FEEDS.
- APPLICABILITY** - ALL SHEETS ARE APPLICABLE TO ALL YEAR MODELS EXCEPT AS NOTED ON THE SHEET.
- COMPONENT LOCATION** - COMPONENTS WITHIN A COMMON AREA ARE ENCLOSED WITHIN A BOLD OUTLINE BOX. WHERE THIS IS NOT PRACTICAL, COMPONENT LOCATION IS INCLUDED NEAR THE COMPONENT IDENTIFIER.



SYMBOLS:

- 10A IGNITION**
- [SP2]**
- INTERNAL COMPONENT SPLICE OR JUNCTION**
- [SP41]** **GROUND (SEE NOTE 2)**
- SINGLE PIN CONNECTOR**
- SOCKET** **PIN**
- TWO INTO ONE CONNECTOR**
- SPADE TYPE CONNECTOR**
- 'EYE' TYPE TERMINAL**
- 9P MINI WHITE**
- RECEPTACLE PLUG**
- SWITCH - SINGLE POLE, SINGLE THROW**
- SWITCH - SINGLE POLE, DOUBLE THROW**
- SWITCH - DOUBLE POLE, DOUBLE THROW**

**MINI FUSE**  
IN-HARNESS SPLICE. THIS CAN BE EITHER A SPLICE OR A JUMPER (HONDA IS NOT THAT SPECIFIC). A UNIQUE NUMBER IS ARBITRARILY ASSIGNED AND IS ONLY TO PROVIDE CONTINUITY FROM ONE SHEET TO THE NEXT



VALKYRIE WIRING DIAGRAM	
INTRO	NOTES & SYMBOLS
STANDARD & TOURER	REV: 3/11/02   RP BROWN

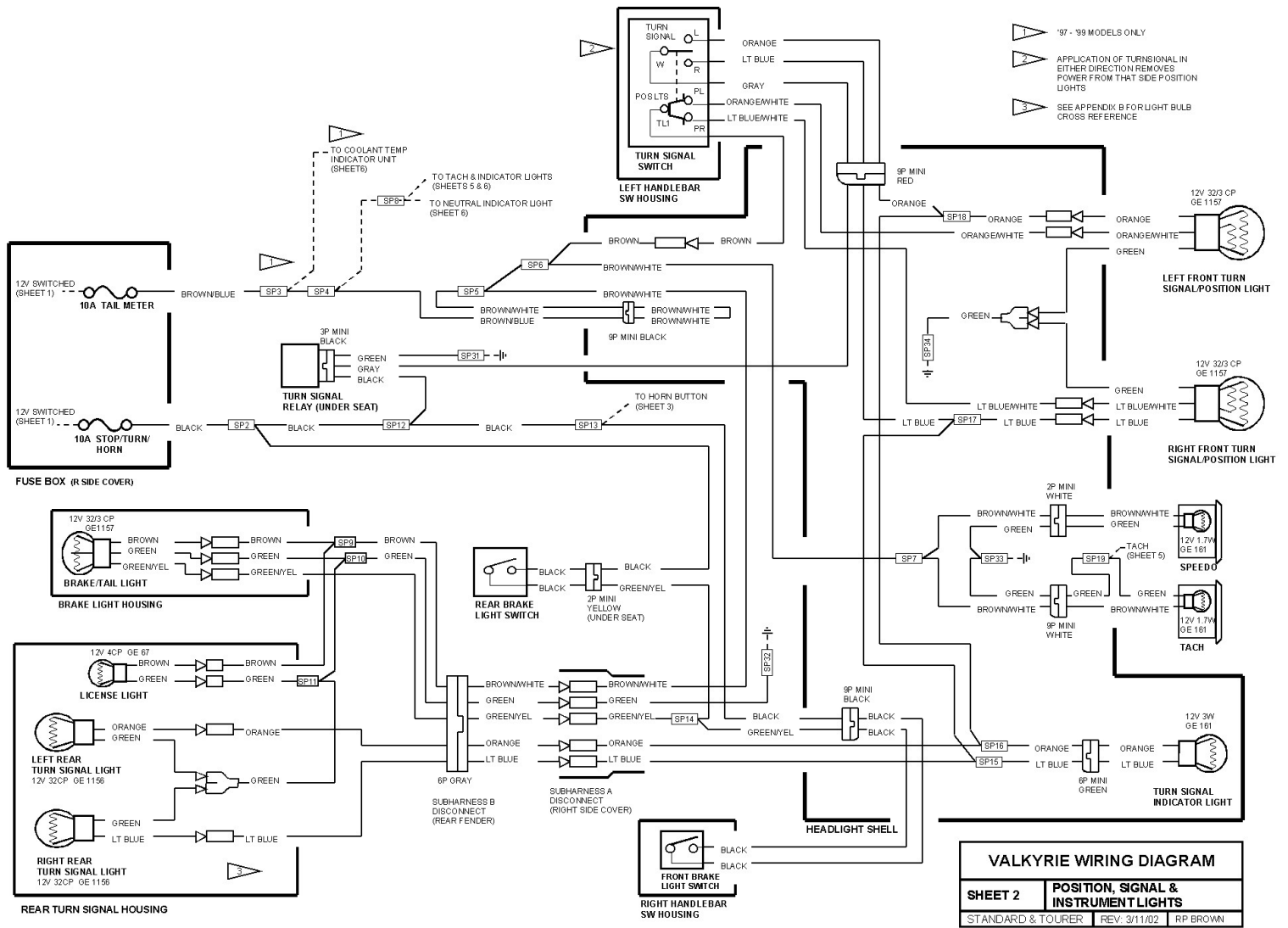
Click here to visit Rattlebars Mfg, for Valkyrie VTX and GL1800 accessories!  
[Join the Valkyrie Riders Cruiser Club. It's Free! 25,000+ members and growing!] [Join the VOA]



Sheet: Symbols S1 S2 S3 S4 S5 S6 S6a S7 APa BULBS INTERLOCKS (PRINT)

Click here to e-mail RP Brown with any comments you may have.

ST/TOUR SHEET 2



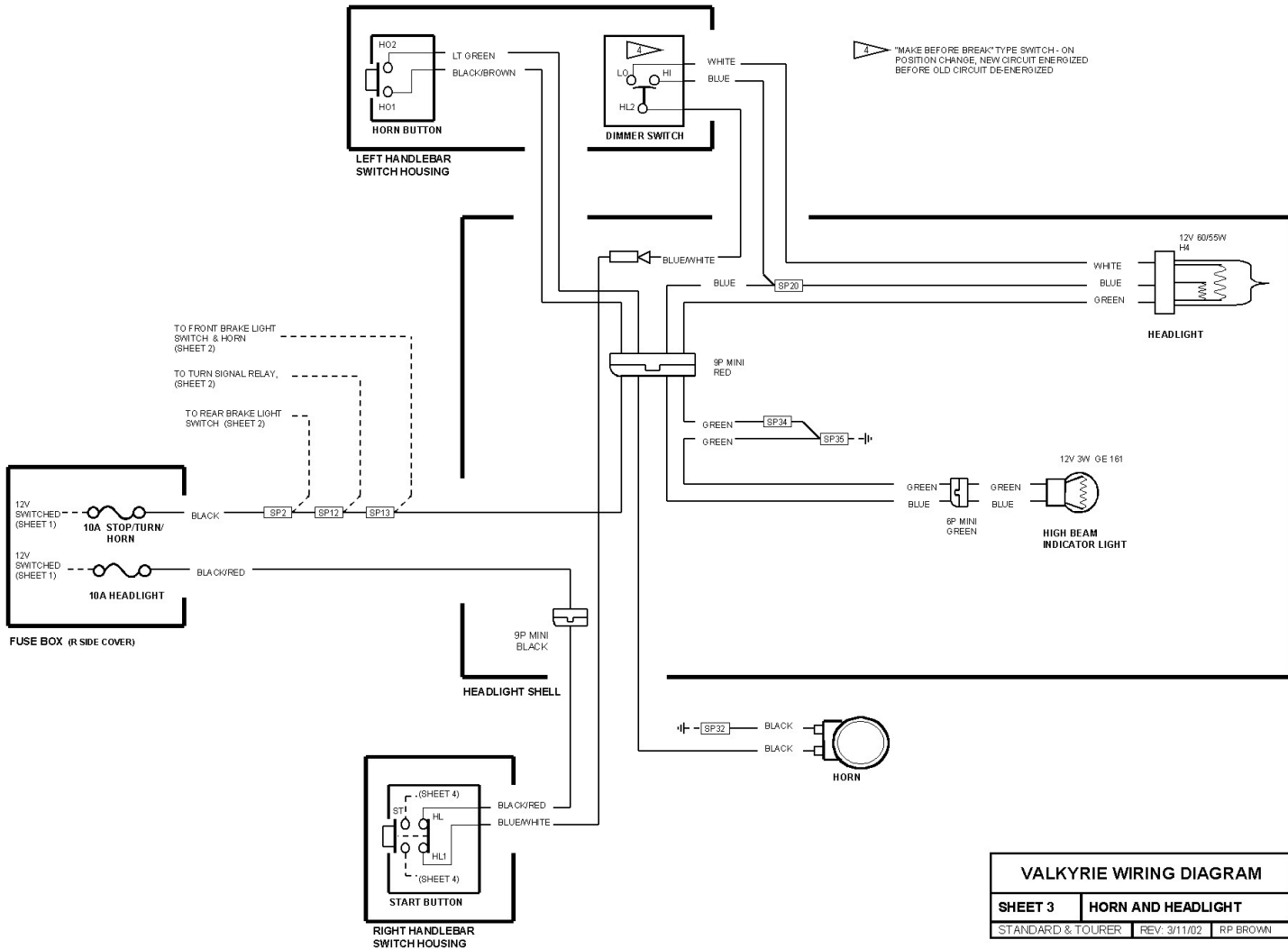
Click [here](#) to visit Rattlebars Mfg, for Valkyrie VTX and GL1800 accessories!

[Join the Valkyrie Riders Cruiser Club. It's Free! 25,000+ members and growing!](#) [Join the VOA!](#)

Sheet: Symbols S1 S2 S3 S4 S5 S6 S6a S7 APa BULBS INTERLOCKS (PRINT)

Click here to e-mail RP Brown with any comments you may have.

ST/TOUR SHEET 3



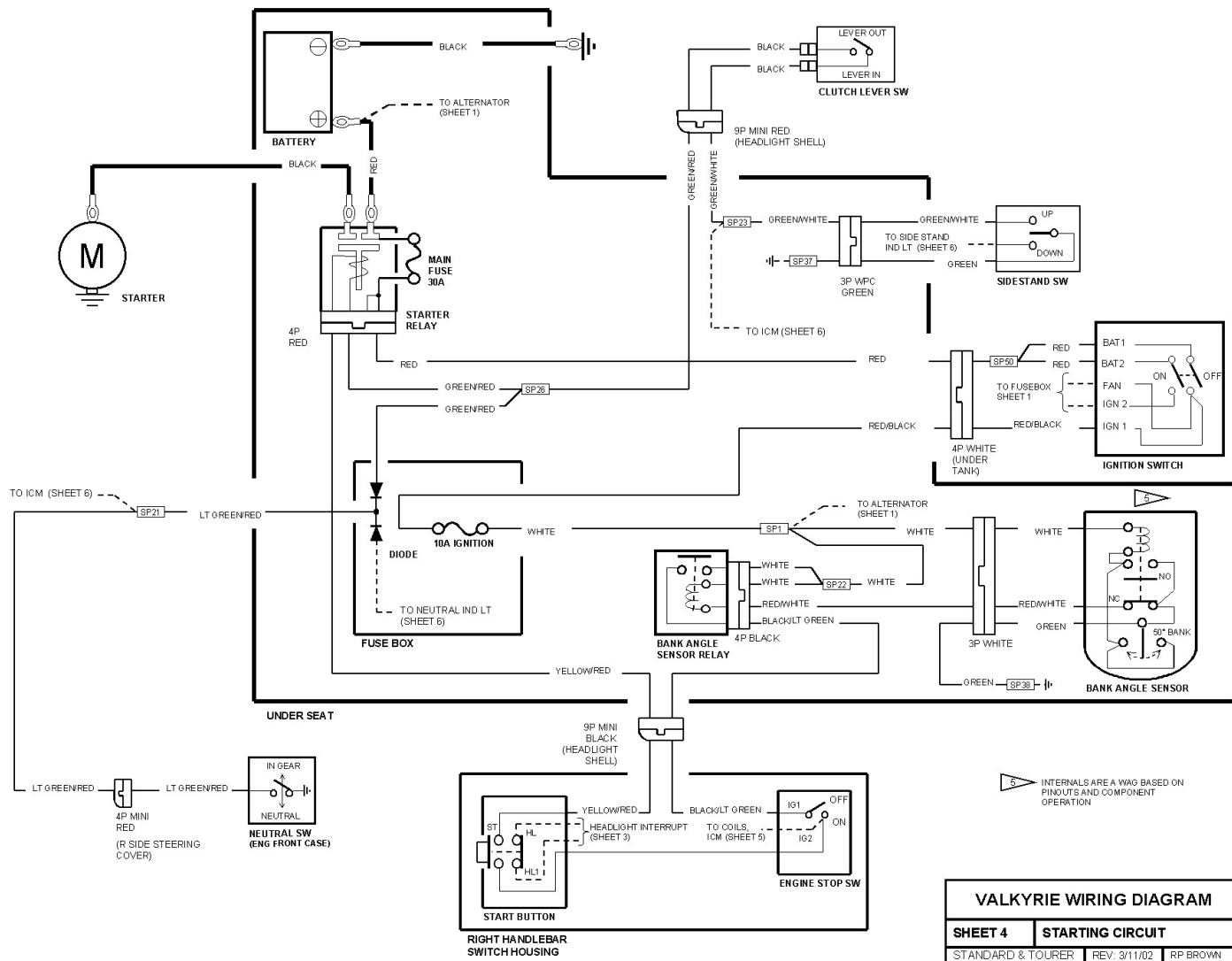
VALKYRIE WIRING DIAGRAM		
SHEET 3	HORN AND HEADLIGHT	
STANDARD & TOURER	REV: 3/11/02	RP BROWN

Click here to visit Rattlebars Mfg, for Valkyrie VTX and GL1800 accessories!

Join the Valkyrie Riders Cruiser Club. It's Free! 25,000+ members and growing! Join the VOA!

Sheet: Symbols S1 S2 S3 S4 S5 S6 S6a S7 APa BULBS INTERLOCKS (PRINT)  
Click here to e-mail RP Brown with any comments you may have.

ST/TOUR SHEET 4



INTERNALS ARE A WAG BASED ON FINISHES AND COMPONENT OPERATION

VALKYRIE WIRING DIAGRAM	
<b>SHEET 4</b>	<b>STARTING CIRCUIT</b>
STANDARD & TOURER	REV: 3/11/02   RP BROWN

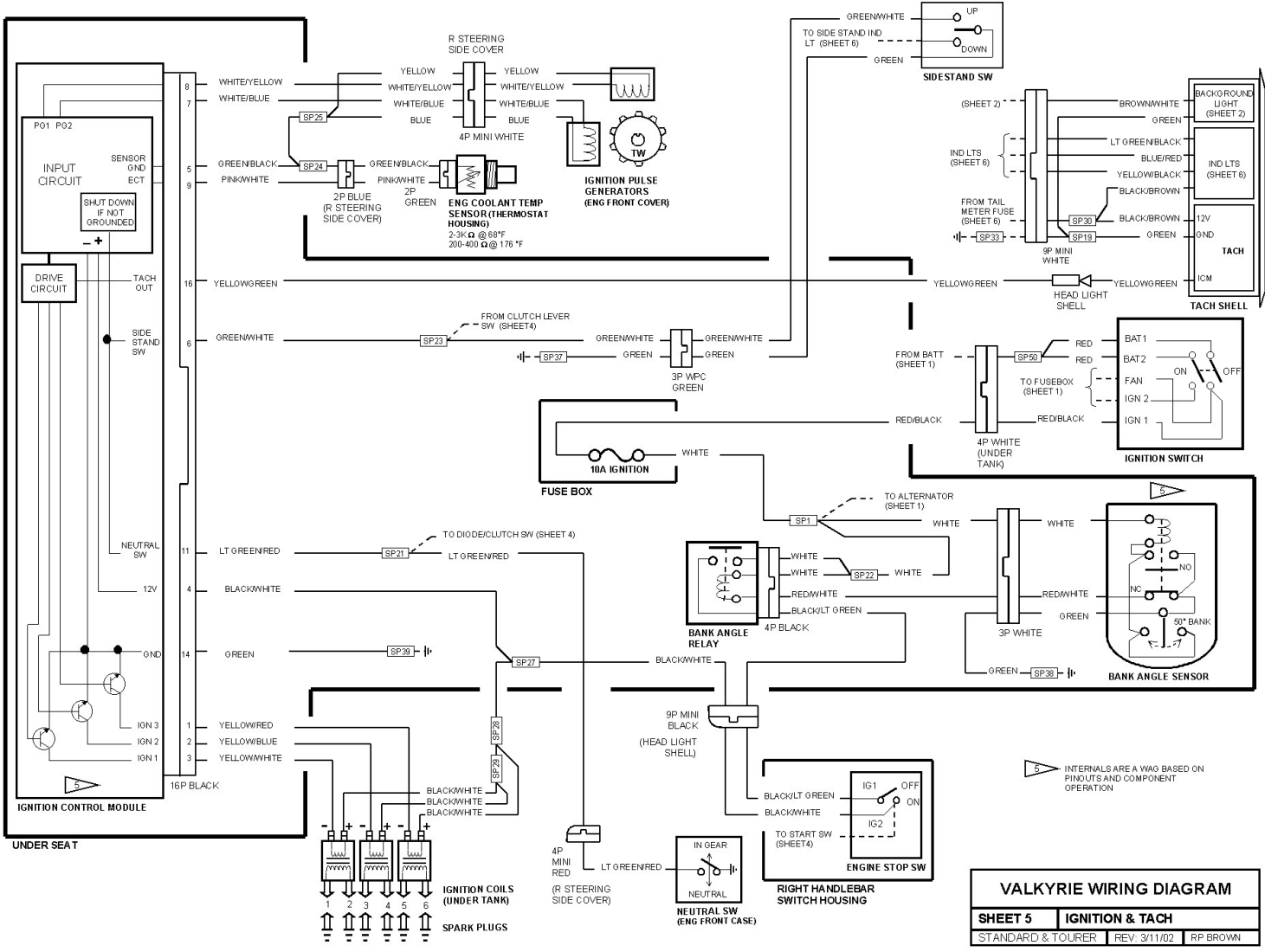
Click here to visit Rattlebars Mfg, for Valkyrie VTX and GL1800 accessories!

Join the Valkyrie Riders Cruiser Club. It's Free! 25,000+ members and growing! Join the VOA!

Sheet: Symbols S1 S2 S3 S4 S5 S6 S6a S7 APa BULBS INTERLOCKS (PRINT)

Click here to e-mail RP Brown with any comments you may have.

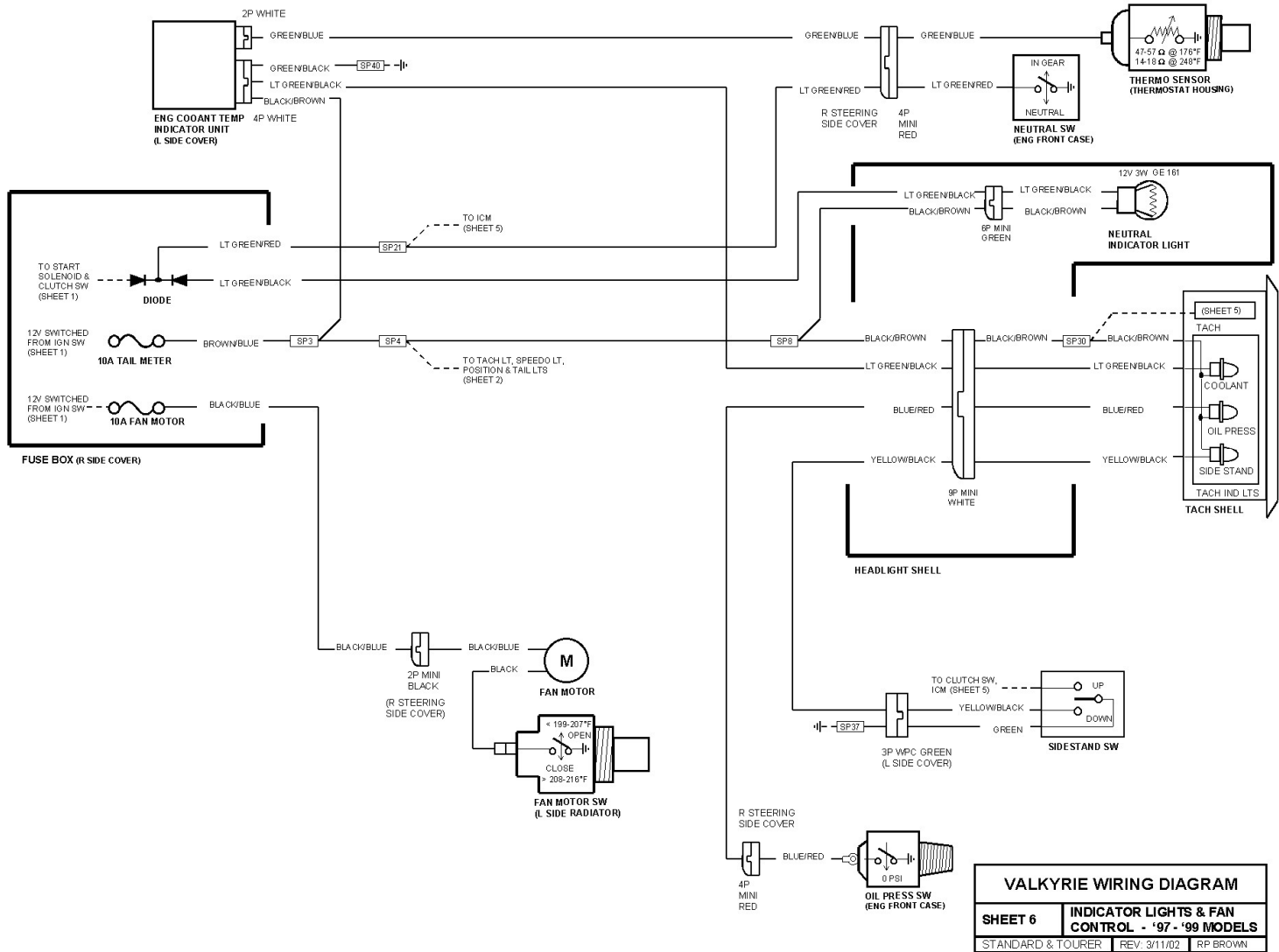
ST/TOUR SHEET 5



Click here to visit Rattlebars Mfg, for Valkyrie VTX and GL1800 accessories!

[Join the Valkyrie Riders Cruiser Club. It's Free! 25,000+ members and growing!] [Join the VOA]

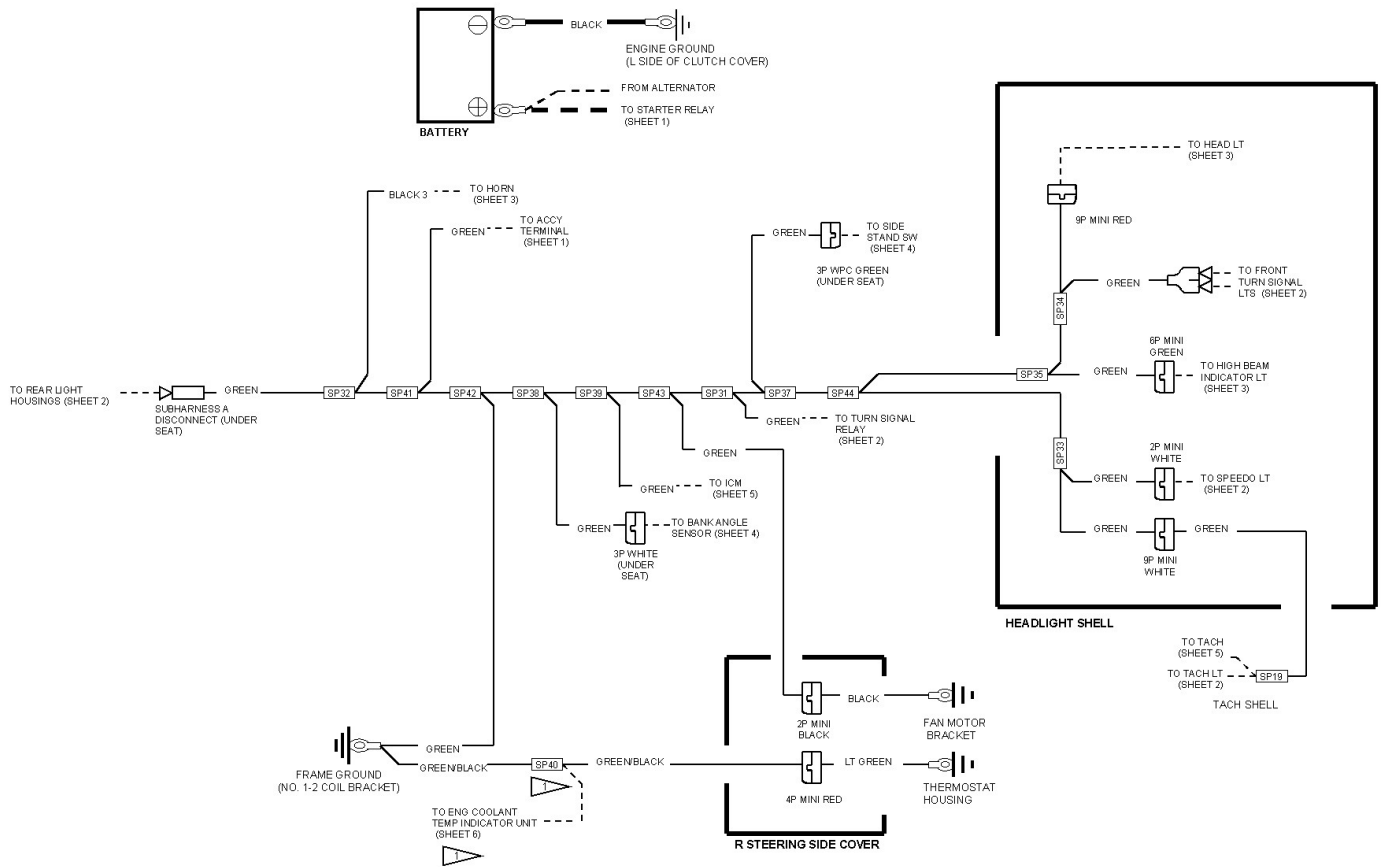
27 captures 27 Apr 2012 - 3 Mar 2017  
Sheet: Symbols S1 S2 S3 S4 S5 S6 S6a S7 APa BULBS INTERLOCKS (PRINT)  
Click here to e-mail RP Brown with any comments you may have.  
ST/TOUR SHEET 6



Click here to visit Rattlebars Mfg, for Valkyrie VTX and GL1800 accessories!

[Join the Valkyrie Riders Cruiser Club. It's Free! 25,000+ members and growing!] [Join the VOA]

Sheet: Symbols S1 S2 S3 S4 S5 S6 S6a S7 APa BULBS INTERLOCKS (PRINT)  
Click here to e-mail RP Brown with any comments you may have.



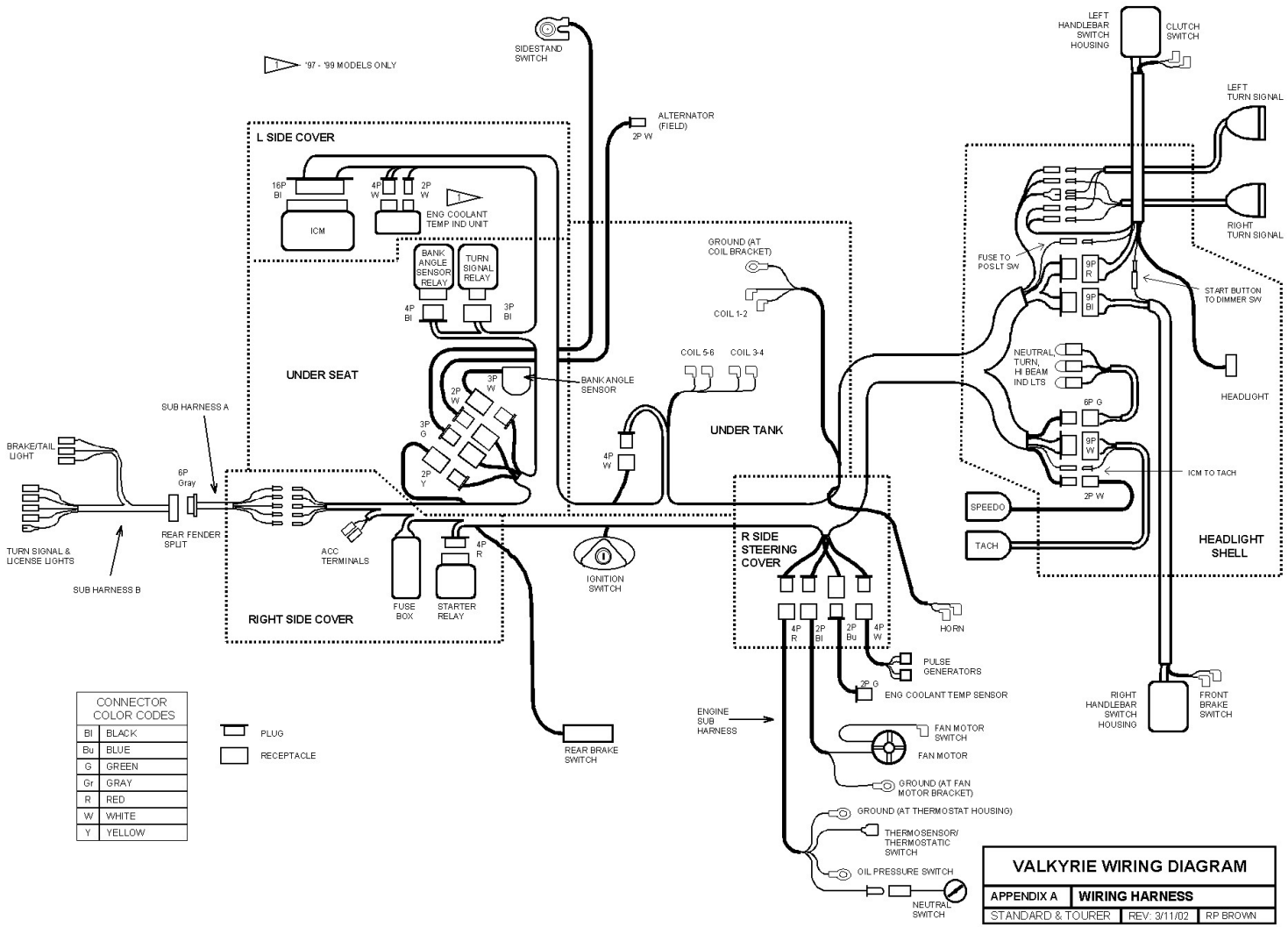
1 '97 - '99 MODELS ONLY

VALKYRIE WIRING DIAGRAM		
SHEET 7	GROUND BUS	
STANDARD & TOURER	REV: 3/11/02	RP BROWN

Click here to visit Rattlebars Mfg, for Valkyrie VTX and GL1800 accessories!  
Join the Valkyrie Riders Cruiser Club. It's Free! 25,000+ members and growing! Join the VOA!



Sheet: Symbols S1 S2 S3 S4 S5 S6 S6a S7 APa BULBS INTERLOCKS (PRINT)  
Click here to e-mail RP Brown with any comments you may have.  
ST/TOUR APPENDIX a



Click [here](#) to visit Rattlebars Mfg, for Valkyrie VTX and GL1800 accessories!

[Join the Valkyrie Riders Cruiser Club. It's Free! 25,000+ members and growing!](#) [Join the VOA!](#)

Sheet: Symbols S1 S2 S3 S4 S5 S6 S6a S7 APa BULBS INTERLOCKS (PRINT)  
Click here to e-mail RP Brown with any comments you may have.

### VALKYRIE LIGHT BULB CROSS REFERENCE

Application	Effectivity <sup>1</sup>	Stock Spec/Quan	Honda P/N	Bulb, Base	Replacement Bulbs	Volts	Amps	Watts	MSCP <sup>2</sup>	Avg Life Hrs	MOL" <sup>3</sup>
Headlight	CT	12V 60/55W	34901-MC7-601	T-5, P43T-38	H4, 9003, HB2	12.8	4.7/4.3	60/55			
	C CT	12V 60/55W	34901-MC7-601AH								
		CF	12V 45/45 W X 2	34901-MS2-671	T-5, P43T-38	H4, 9003 <sup>4</sup>	12.8	3.5/3.5	45/45		
Brake/Tail Light	C CT	12V 32/3 CP (12V 23/8W)	34905-425-671	S-8, D.C. Index	1157	12.8/14	2.1/1.59	26.8/8.3	32/3	1200/5000	2.00
					2357	12.8/14	2.23/1.59	28.54/8.26	40/3	400/5000	2.00
		CF	12V 21/5 W ECE X 2	34906-MBB-611	S-8, Plastic Wedge	3157	12.8/14	2.1/1.59	26.8/8.3	32/3	1200/5000
					3357	12.8/14	2.23/1.59	28.54/8.26	40/3	400/5000	2.13
License Light	CT CF	12V 4 CP	34902-500-003	G-6, S.C. Bayonet	67	13.5	0.59	8	4	5000	1.44
	CT CF	12V 4 CP	34908-272-000								
	C CT	12V 4 CP	34909-505-610								
	CT CF	12V 8W	34616-568-671								
	CT CF	12V 4CP 8W (67)	34909-505-003								
Front Turn/Running Light	C CT	12V 32/3 CP X 2 (12V 23/8W)	34905-425-671	S-8, D.C. Index	1157	12.8	2.1/1.59	26.9/7.5	32/3	1200/1500	2.00
	98-00C, 00CT, CF	12V 35/2.8 CP X 2 (12V 21/5W)	34906-447-711								
Rear Turn Signal	C CT	12V 32 CP X 2 (12V 23W)	34905-268-671	S-8, S.C. Bayonet	1156	12.8	2.1	26.9	32	1200	2.00
	C 00CT	12V 36.6 CP X 2 (12V 21W)	34908-634-611								
Tach & Speedo Lt	C CT	12V 1.7 W	34908-MB9-871	T-3 1/4, Wedge	161	14.0	0.19	2.7	1	4000	1.06
		9BCT	T10 (mm)	34908-MZ0-760	158	14.0	0.24	3.4	2	500	1.06
		CF	12V 1.7 W	34908-MG9-951	T-1 3/4, Mini Wedge	74	14.0	0.10	1.4	1	500
LCD Module Lt					70	14.0	0.15	2.1	2	1000	0.80
		CF	12V 1.7 W	94908-MG9-951	T-1 3/4, Mini Wedge	74	14.0	0.10	1.4	1	500
					70	14.0	0.15	2.1	2	1000	0.80
Hi Beam, Neutral, & Turn Signal Ind	C CT	12V 3 W	34908-KM1-671	T-3 1/4, Wedge	161	14.0	0.19	2.7	1	4000	1.06
					158	14.0	0.24	3.4	2	500	1.06
Trunk Accy Lights				T-3 1/4, Wedge	158	14.0	0.24	3.4	2	500	1.06
					194	14.0	0.27	3.8	2	2500	1.06
					168	14.0	0.35	4.9	3	1500	1.06

- <sup>1</sup> C = Standard; CT = Tourer; CF = Interstate (All year models except as shown)
- <sup>2</sup> Mean spherical candle power
- <sup>3</sup> Mean overall length (inches)
- <sup>4</sup> Stock Honda bulb is proprietary - H4 replacement may require shim

VALKYRIE WIRING DIAGRAM		
APPENDIX B	LIGHT BULB CROSS REF	
STANDARD & TOURER	REV: 3/11/02	RP BROWN

Click [here](#) to visit Rattlebars Mfg, for Valkyrie VTX and GL1800 accessories!

[Join the Valkyrie Riders Cruiser Club. It's Free! 25,000+ members and growing!](#) [Join the VOA!](#)