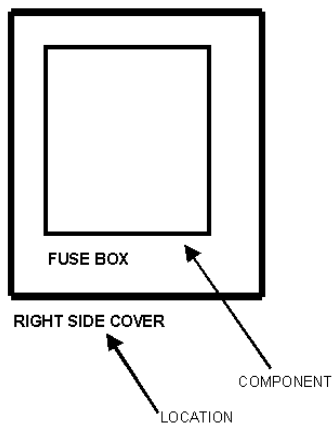

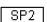

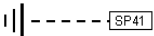


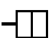


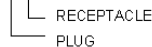

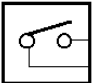
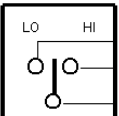
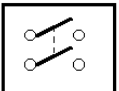


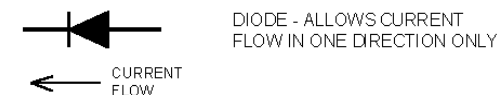
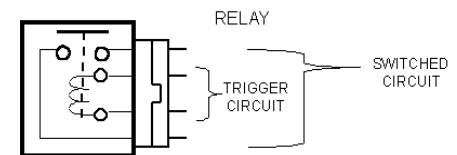
GENERAL NOTES:

- ORIENTATION** - WHERE PRACTICAL, THESE WIRING DIAGRAMS ARE LAYED OUT AS IF YOU ARE STANDING ON THE RIGHT SIDE OF THE BIKE, FACING THE RIGHT SIDE COVER, I.E. COMPONENTS TOWARD THE FRONT OF THE BIKE WILL BE TO THE RIGHT ON THE PAGE.
- GROUNDS** - FOR CLARITY, GROUND WIRES ARE ONLY REFERENCED ON CIRCUIT DIAGRAMS. THE COMPLETE GROUND BUS IS CONTAINED ON SHEET 7.
- WIRING** - ONLY THE WIRING THAT IS PERTINENT TO THE SUBJECT CIRCUIT IS SHOWN. ALL OTHER WIRING IS SHOWN AS DASHED LINES WITH A REFERENCE TO THE SHEET WHERE THEIR RESPECTIVE CIRCUITS ARE DISPLAYED.
- WIRING IDENTIFICATION** - WIRING IS COLOR CODED, EITHER A SOLID COLOR, OR A SOLID COLOR WITH A TRACE OF A SECOND COLOR. "RED/LT GREEN" WOULD INDICATE A RED WIRE WITH A LIGHT GREEN TRACE.
- CIRCUIT FOLLOWING** - THE EASIEST WAY TO FOLLOW A PARTICULAR CIRCUIT IS TO START AT THE FUSE (GENERALLY TO THE LEFT SIDE OF THE PAGE), AND FOLLOW THE WIRING FROM IT TO THE VARIOUS SWITCHES AND DEVICES THAT IT FEEDS.
- APPLICABILITY** - ALL SHEETS ARE APPLICABLE TO ALL YEAR MODELS EXCEPT AS NOTED ON THE SHEET.
- COMPONENT LOCATION** - COMPONENTS WITHIN A COMMON AREA ARE ENCLOSED WITHIN A BOLD OUTLINE BOX. WHERE THIS IS NOT PRACTICAL, COMPONENT LOCATION IS INCLUDED NEAR THE COMPONENT IDENTIFIER.

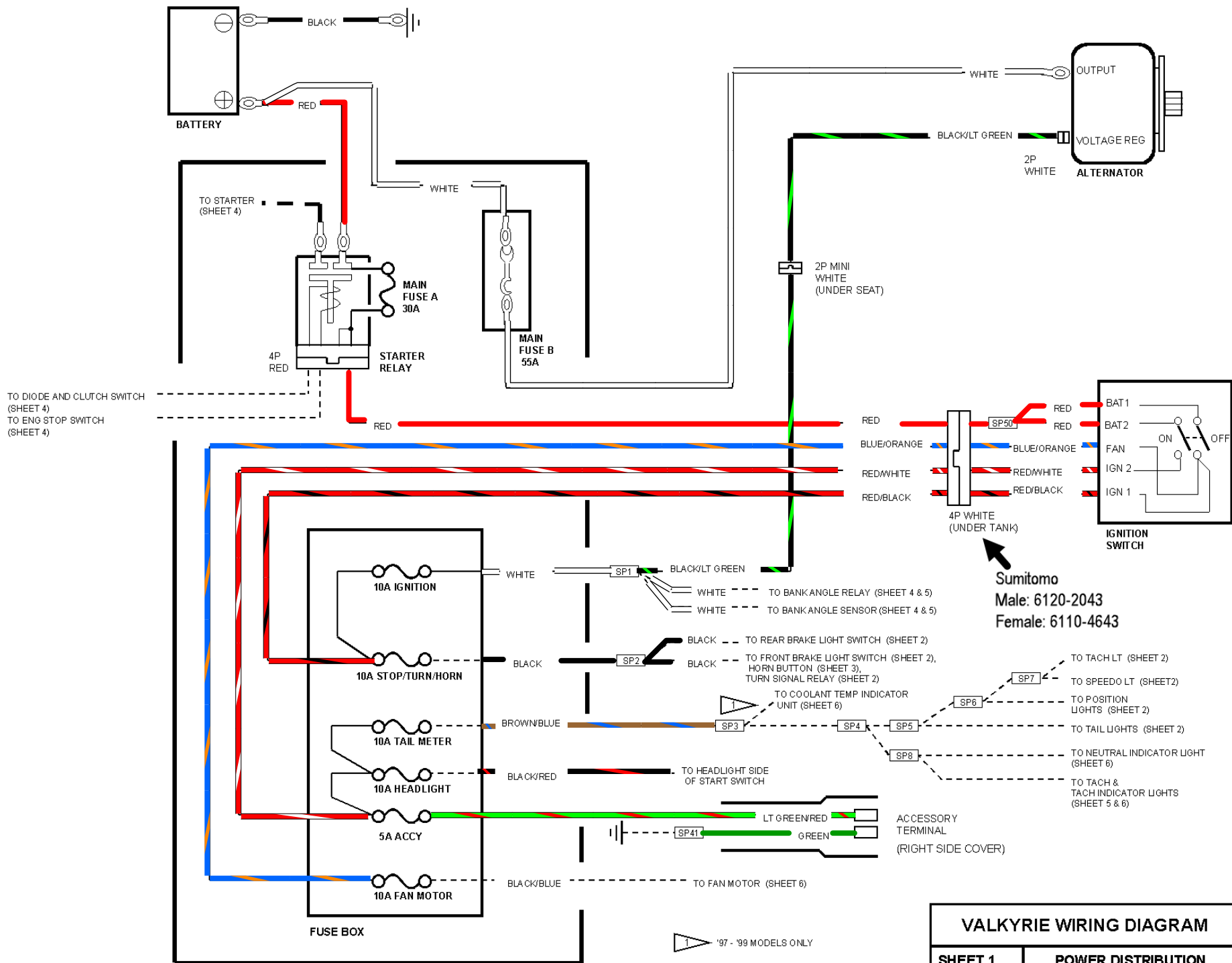


SYMBOLS:

-  **10A IGNITION** MINI FUSE
-  **SP2** IN-HARNESS SPLICE. THIS CAN BE EITHER A SPLICE OR A JUMPER (HONDA IS NOT THAT SPECIFIC). A UNIQUE NUMBER IS ARBITRARILY ASSIGNED AND IS ONLY TO PROVIDE CONTINUITY FROM ONE SHEET TO THE NEXT
-  INTERNAL COMPONENT SPLICE OR JUNCTION
-  **SP41** GROUND (SEE NOTE 2)
-  SINGLE PIN CONNECTOR
-  TWO INTO ONE CONNECTOR
-  SPADE TYPE CONNECTOR
-  "EYE" TYPE TERMINAL
-  MULTI PIN CONNECTOR. ROUNDED CORNER INDICATES THAT NOT ALL WIRES GOING TO THAT CONNECTOR ARE SHOWN - ONLY THE ONES RELEVANT TO THE SUBJECT CIRCUIT. CONNECTORS ARE IDENTIFIED BY COLOR AND THE NUMBER OF PINS THEY CONTAIN. ("9P" IN THE EXAMPLE INDICATES 9 PINS)
-  RECEPTACLE PLUG
-  9P MINI WHITE
-  SWITCH - SINGLE POLE, SINGLE THROW
-  SWITCH - SINGLE POLE, DOUBLE THROW
-  SWITCH - DOUBLE POLE, DOUBLE THROW



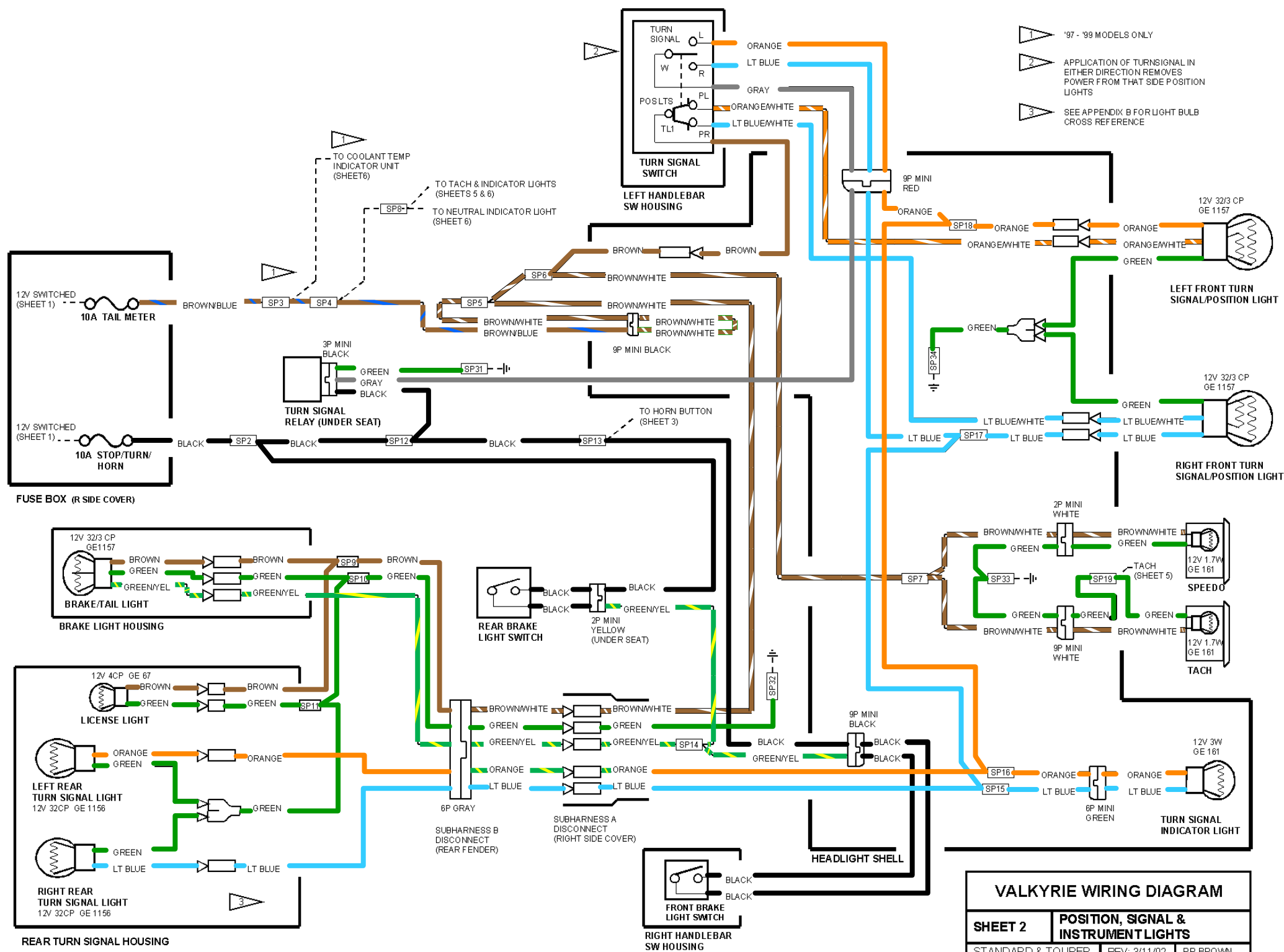
VALKYRIE WIRING DIAGRAM		
INTRO	NOTES & SYMBOLS	
STANDARD & TOURER	REV: 3/11/02	RP BROWN



VALKYRIE WIRING DIAGRAM

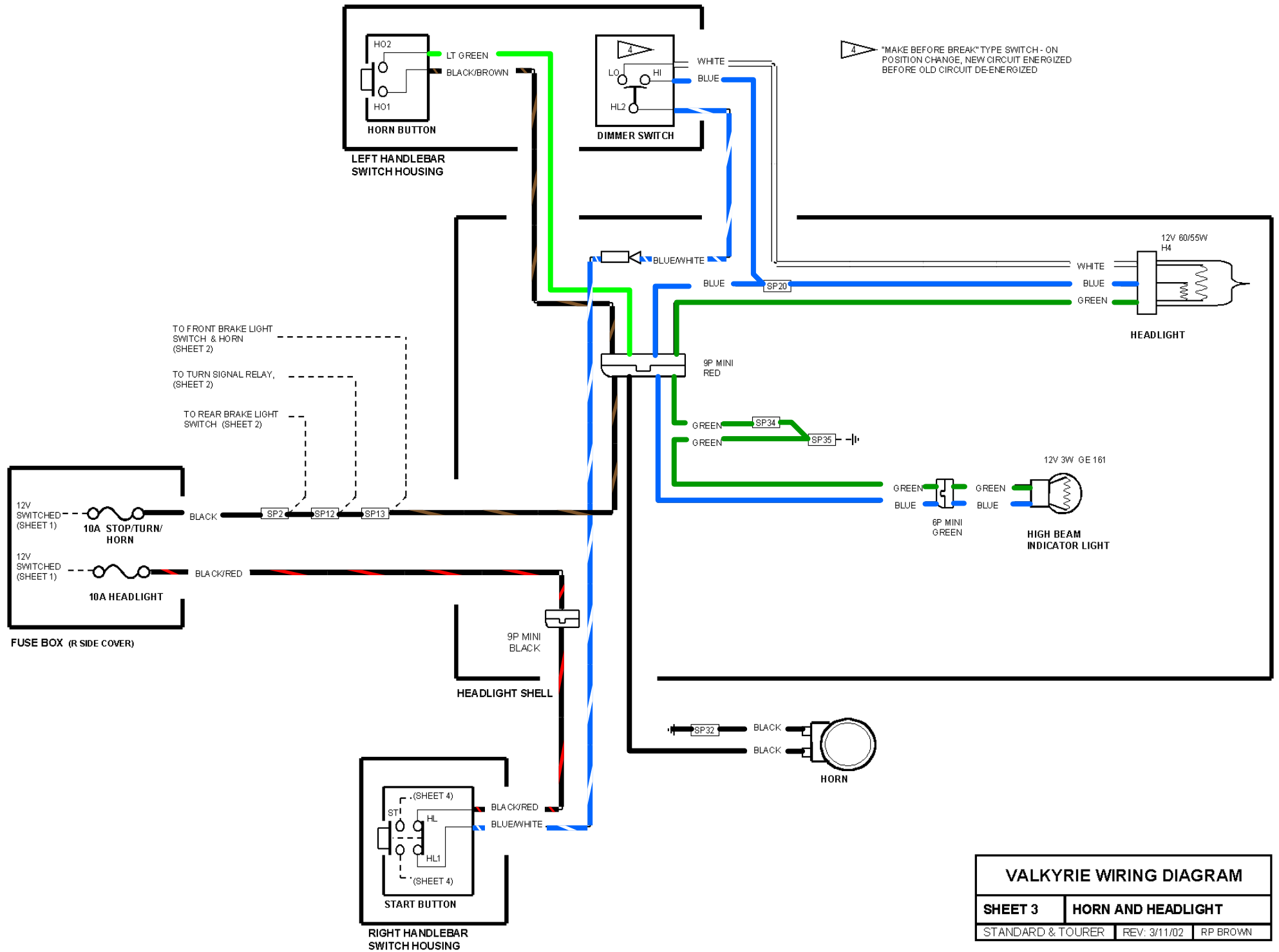
SHEET 1	POWER DISTRIBUTION	
STANDARD & TOURER	REV: 3/11/02	RP BROWN

▲ '97 - '99 MODELS ONLY



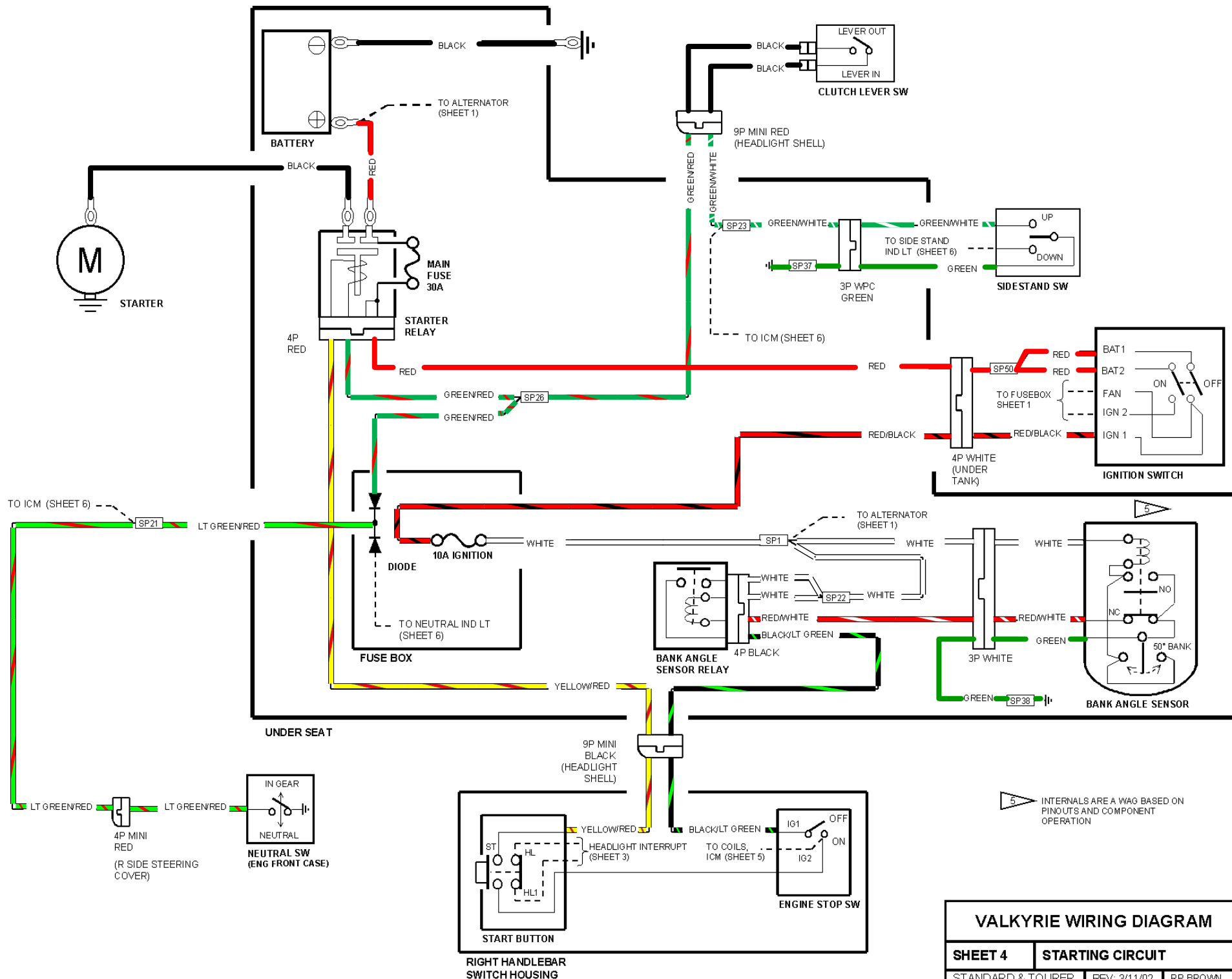
VALKYRIE WIRING DIAGRAM

SHEET 2	POSITION, SIGNAL & INSTRUMENT LIGHTS
STANDARD & TOURER	REV: 3/11/02 RP BROWN

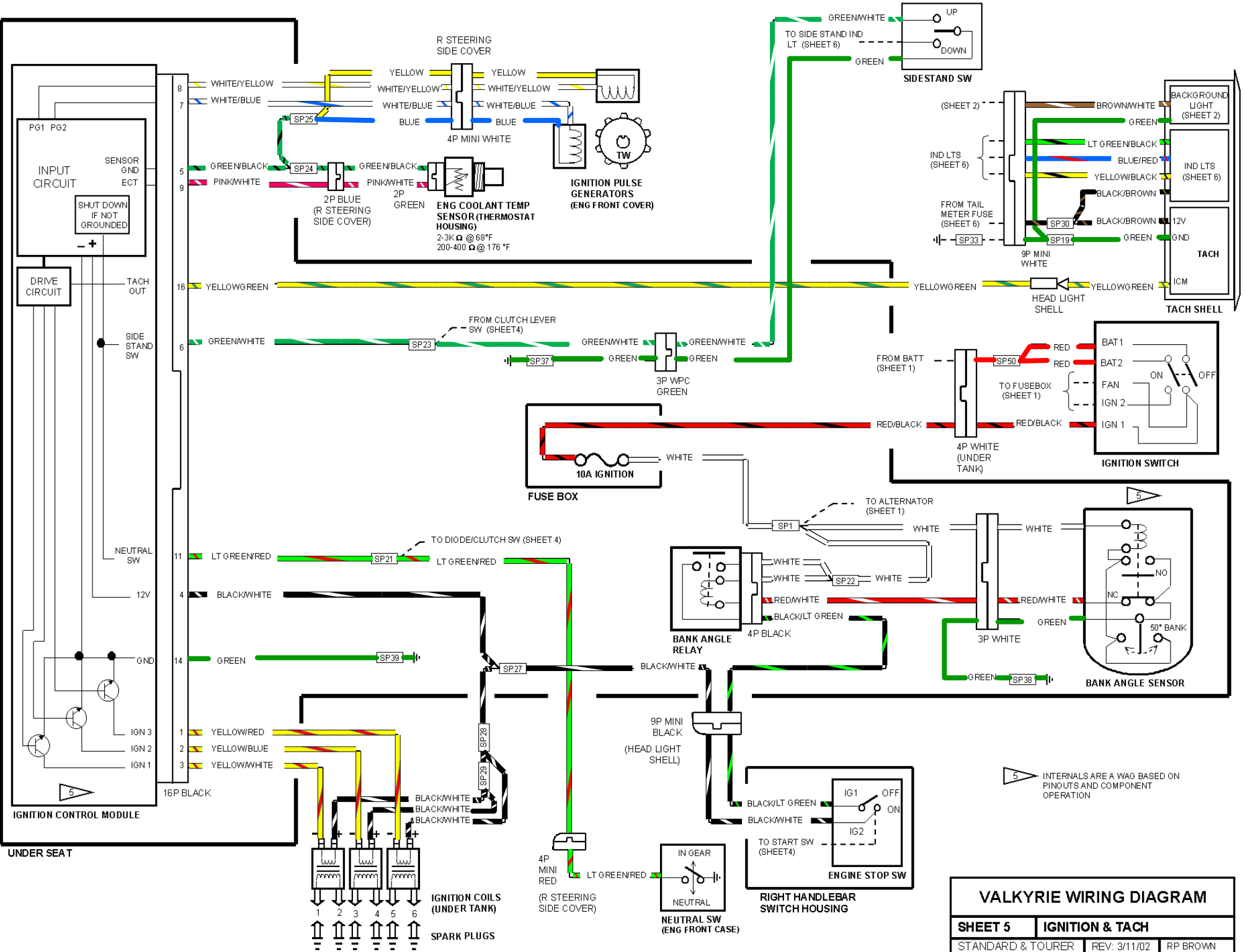


4 "MAKE BEFORE BREAK" TYPE SWITCH - ON POSITION CHANGE, NEW CIRCUIT ENERGIZED BEFORE OLD CIRCUIT DE-ENERGIZED

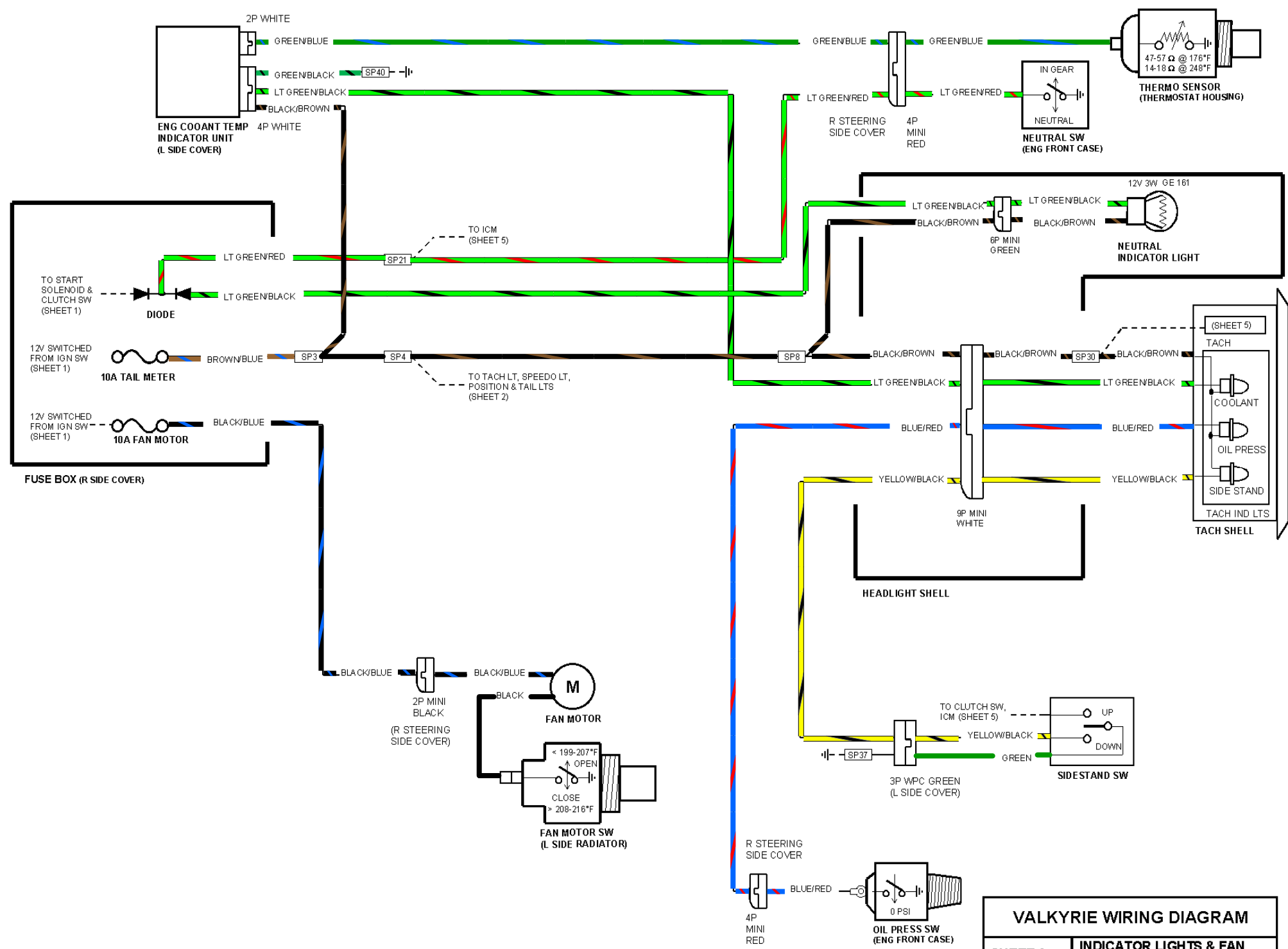
VALKYRIE WIRING DIAGRAM
SHEET 3 **HORN AND HEADLIGHT**
 STANDARD & TOURER REV: 3/11/02 RP BROWN



VALKYRIE WIRING DIAGRAM
SHEET 4 | **STARTING CIRCUIT**
 STANDARD & TOURER | REV: 3/11/02 | RP BROWN

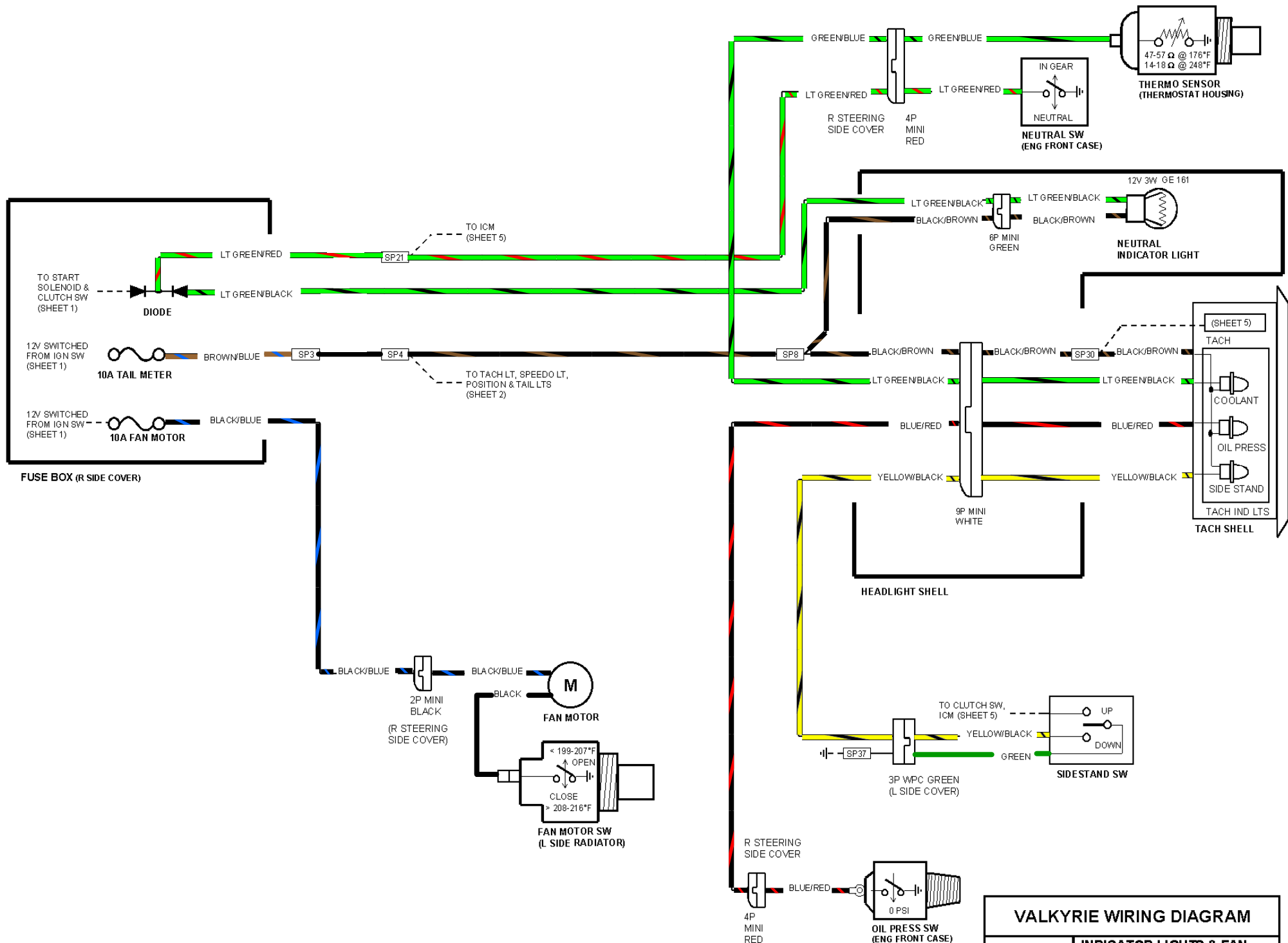


VALKYRIE WIRING DIAGRAM
SHEET 5 | IGNITION & TACH
 STANDARD & TOURER | REV: 3/11/02 | RP BROWN



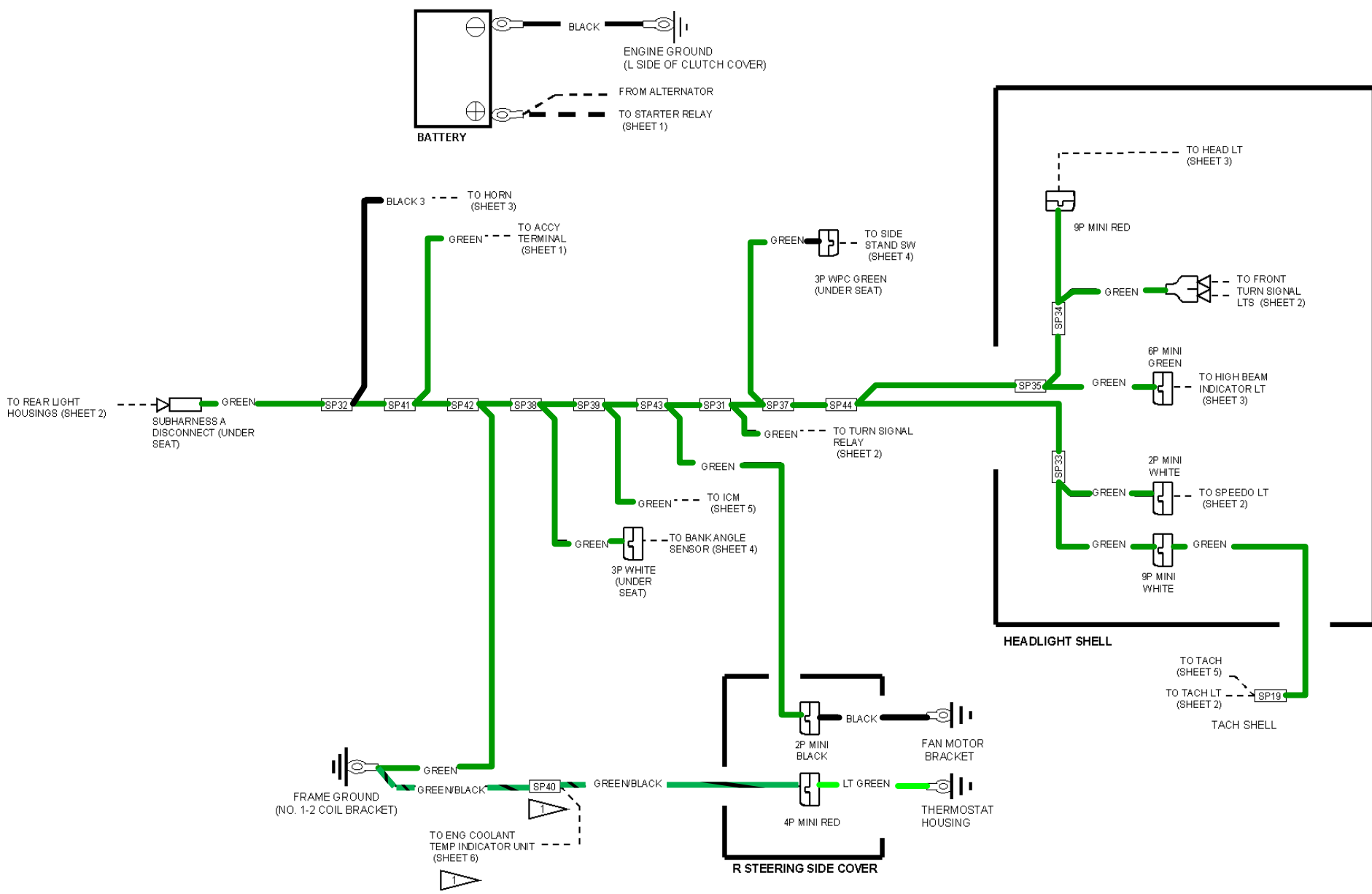
VALKYRIE WIRING DIAGRAM

SHEET 6	INDICATOR LIGHTS & FAN CONTROL - '97 - '99 MODELS	
STANDARD & TOURER	REV: 3/11/02	RP BROWN



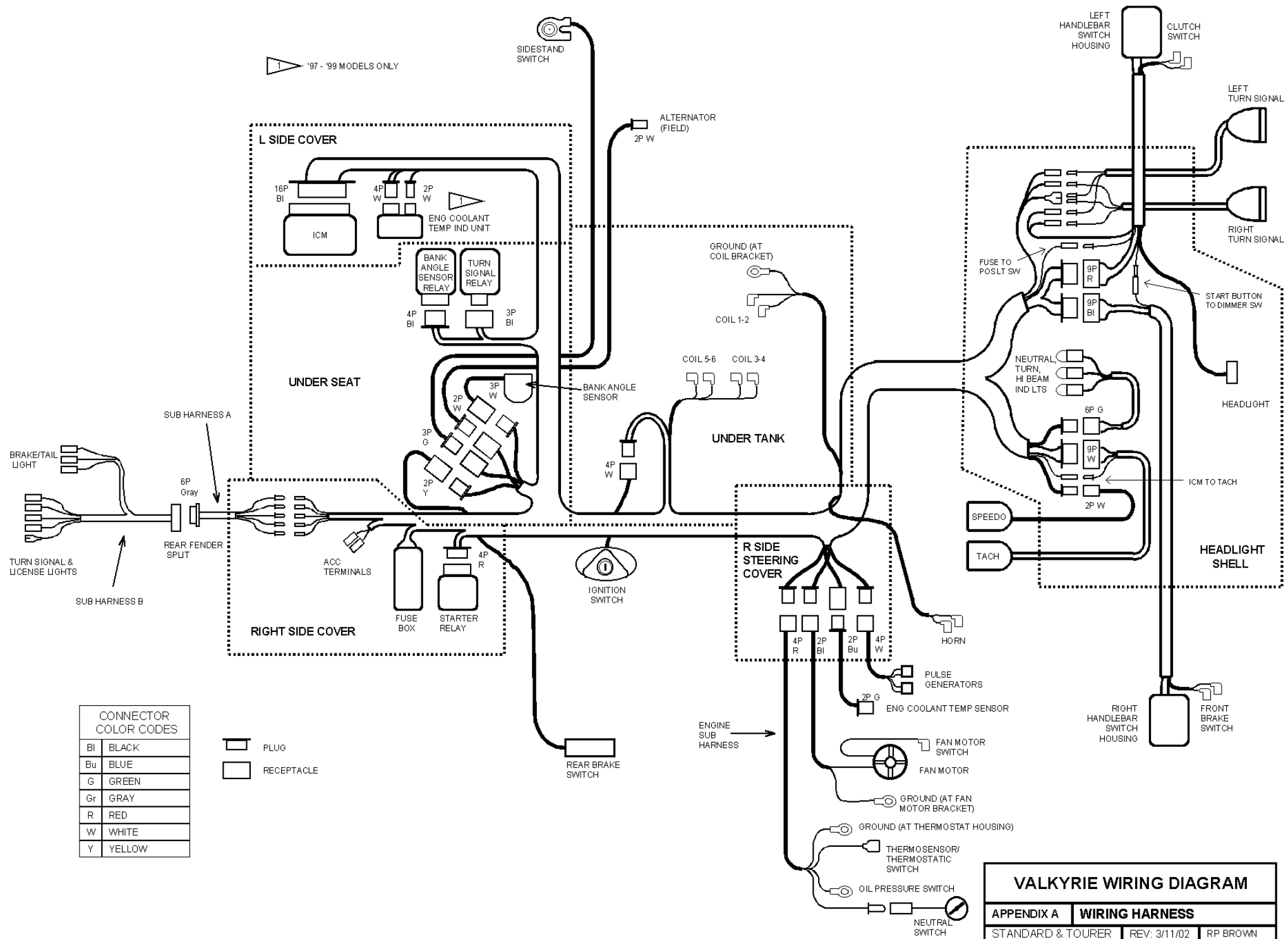
VALKYRIE WIRING DIAGRAM

SHEET 6A	INDICATOR LIGHTS & FAN CONTROL - '00 MODELS & ON
STANDARD & TOURER	REV: 3/11/02 RP BROWN



▲ '97 - '99 MODELS ONLY

VALKYRIE WIRING DIAGRAM		
SHEET 7	GROUND BUS	
STANDARD & TOURER	REV: 3/11/02	RP BROWN



VALKYRIE WIRING DIAGRAM

APPENDIX A WIRING HARNESS

STANDARD & TOURER REV: 3/11/02 RP BROWN

VALKYRIE LIGHT BULB CROSS REFERENCE

Application	Effectivity ¹		Stock Spec/Quan	Honda P/N	Bulb, Base	Replacement Bulbs	Volts	Amps	Watts	MSCP ²	Avg Life Hrs	MOL ³	
Headlight	C	CT	12V 60/55W	34901-MC7-601	T-5, P43T-38	H4, 9003, HB2	12.8	4.7/4.3	60/55				
		CT	12V 60/55W	34901-MC7-601AH									
			CF	12V 45/45 W X 2	34901-MS2-671	T-5, P43T-38	H4, 9003 ⁴	12.8	3.5/3.5	45/45			
Brake/Tail Light	C	CT	12V 32/3 CP	34905-425-671	S-8, D.C. Index	1157	12.8/14	2.1/5.9	26.8/8.3	32/3	1200/5000	2.00	
			(12V 23/8W)			2357	12.8/14	2.23/5.9	28.54/8.26	40/3	400/5000	2.00	
			CF	12V 21/5 W ECE X 2	34906-MBB-611	S-8, Plastic Wedge	3157	12.8/14	2.1/5.9	26.8/8.3	32/3	1200/5000	2.13
				3357			12.8/14	2.23/5.9	28.54/8.26	40/3	400/5000	2.13	
License Light		CT	CF 12V 4 CP	34902-500-003	G-6, S.C. Bayonet	67	13.5	0.59	8	4	5000	1.44	
		CT	CF 12V 4 CP	34908-272-000									
	C	CT	CF 12V 4 CP	34909-505-610									
		CT	CF 12V 8W	34616-568-671									
		CT	CF 12V 4CP 8W (67)	34909-505-003									
Front Turn/Running Light	C	CT	12V 32/3 CP X 2	34905-425-671	S-8, D.C. Index	1157	12.8	2.1/5.9	26.9/7.5	32/3	1200/1500	2.00	
			(12V 23/8W)										
			98-00C, 00CT, CF	12V 35/2.8 CP X 2	34906-447-711								
Rear Turn Signal	C	CT	12V 32 CP X 2	34905-268-671	S-8, S.C. Bayonet	1156	12.8	2.1	26.9	32	1200	2.00	
			00CF										(12V 23W)
			CF	12V 36.8 CP X 2									34908-634-611
			CF	(12V 21W)									
Tach & Speedo Lt	C	CT	12V 1.7 W	34908-MB9-871	T-3 1/4, Wedge	161	14.0	0.19	2.7	1	4000	1.06	
			98CT	T10 (mm)		34908-MZ0-760	158	14.0	0.24	3.4	2	500	1.06
			CF	12V 1.7 W	34908-MG9-951	T-1 3/4, Mini Wedge	74	14.0	0.10	1.4	1	500	0.80
				70			14.0	0.15	2.1	2	1000	0.80	
LCD Module Lt			CF	12V 1.7 W	94908-MG9-951	T-1 3/4, Mini Wedge	74	14.0	0.10	1.4	1	500	0.80
				70			14.0	0.15	2.1	2	1000	0.80	
Hi Beam, Neutral, & Turn Signal Ind	C	CT	12V 3 W	34908-KM1-671	T-3 1/4, Wedge	161	14.0	0.19	2.7	1	4000	1.06	
						158	14.0	0.24	3.4	2	500	1.06	
Trunk Accy Lights			CF	12V 3W X 2	34908-MB0-003	T-3 1/4, Wedge	158	14.0	0.24	3.4	2	500	1.06
							194	14.0	0.27	3.8	2	2500	1.06
							168	14.0	0.35	4.9	3	1500	1.06

¹ C = Standard; CT = Tourer; CF = Interstate (All year models except as shown)

² Mean spherical candle power

³ Mean overall length (inches)

⁴ Stock Honda bulb is proprietary - H4 replacement may require shim

VALKYRIE WIRING DIAGRAM

APPENDIX B	LIGHT BULB CROSS REF
STANDARD & TOURER	REV: 3/11/02
	RP BROWN