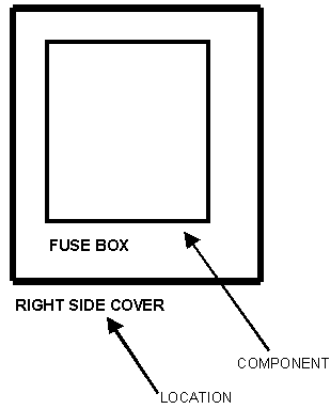

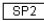

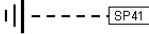


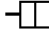



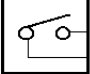
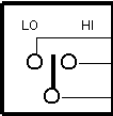
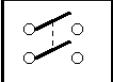


GENERAL NOTES:

- ORIENTATION** - WHERE PRACTICAL, THESE WIRING DIAGRAMS ARE LAYED OUT AS IF YOU ARE STANDING ON THE RIGHT SIDE OF THE BIKE, FACING THE RIGHT SIDE COVER, I.E. COMPONENTS TOWARD THE FRONT OF THE BIKE WILL BE TO THE RIGHT ON THE PAGE.
- GROUND** - FOR CLARITY, GROUND WIRES ARE ONLY REFERENCED ON CIRCUIT DIAGRAMS. THE COMPLETE GROUND BUS IS CONTAINED ON SHEET 7.
- WIRING** - ONLY THE WIRING THAT IS PERTINENT TO THE SUBJECT CIRCUIT IS SHOWN. ALL OTHER WIRING IS SHOWN AS DASHED LINES WITH A REFERENCE TO THE SHEET WHERE THEIR RESPECTIVE CIRCUITS ARE DISPLAYED.
- WIRING IDENTIFICATION** - WIRING IS COLOR CODED, EITHER A SOLID COLOR, OR A SOLID COLOR WITH A TRACE OF A SECOND COLOR. "RED/LT GREEN" WOULD INDICATE A RED WIRE WITH A LIGHT GREEN TRACE.
- CIRCUIT FOLLOWING** - THE EASIEST WAY TO FOLLOW A PARTICULAR CIRCUIT IS TO START AT THE FUSE (GENERALLY TO THE LEFT SIDE OF THE PAGE), AND FOLLOW THE WIRING FROM IT TO THE VARIOUS SWITCHES AND DEVICES THAT IT FEEDS.
- APPLICABILITY** - ALL SHEETS ARE APPLICABLE TO ALL YEAR MODELS EXCEPT AS NOTED ON THE SHEET.
- COMPONENT LOCATION** - COMPONENTS WITHIN A COMMON AREA ARE ENCLOSED WITHIN A BOLD OUTLINE BOX. WHERE THIS IS NOT PRACTICAL, COMPONENT LOCATION IS INCLUDED NEAR THE COMPONENT IDENTIFIER.



SYMBOLS:

-  **10A IGNITION**
-  **SP2**
-  **INTERNAL COMPONENT SPLICE OR JUNCTION**
-  **GROUND (SEE NOTE 2)**
-  **SINGLE PIN CONNECTOR**
-  **TWO INTO ONE CONNECTOR**
-  **SPADE TYPE CONNECTOR**
-  **"EYE" TYPE TERMINAL**
-  **RECEPTACLE PLUG**
-  **9P MINI WHITE**
-  **SWITCH - SINGLE POLE, SINGLE THROW**
-  **SWITCH - SINGLE POLE, DOUBLE THROW**
-  **SWITCH - DOUBLE POLE, DOUBLE THROW**

MINI FUSE

IN-HARNESS SPLICE. THIS CAN BE EITHER A SPLICE OR A JUMPER (HONDA IS NOT THAT SPECIFIC). A UNIQUE NUMBER IS ARBITRARILY ASSIGNED AND IS ONLY TO PROVIDE CONTINUITY FROM ONE SHEET TO THE NEXT

INTERNAL COMPONENT SPLICE OR JUNCTION

GROUND (SEE NOTE 2)

SINGLE PIN CONNECTOR

TWO INTO ONE CONNECTOR

SPADE TYPE CONNECTOR

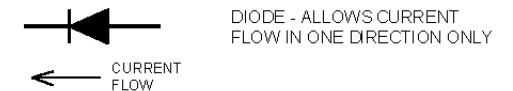
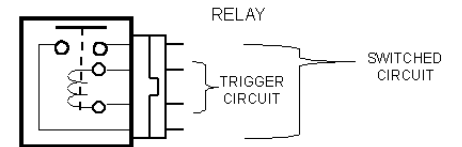
"EYE" TYPE TERMINAL

MULTI PIN CONNECTOR. ROUNDED CORNER INDICATES THAT NOT ALL WIRES GOING TO THAT CONNECTOR ARE SHOWN - ONLY THE ONES RELEVANT TO THE SUBJECT CIRCUIT. CONNECTORS ARE IDENTIFIED BY COLOR AND THE NUMBER OF PINS THEY CONTAIN. ("9P" IN THE EXAMPLE INDICATES 9 PINS)

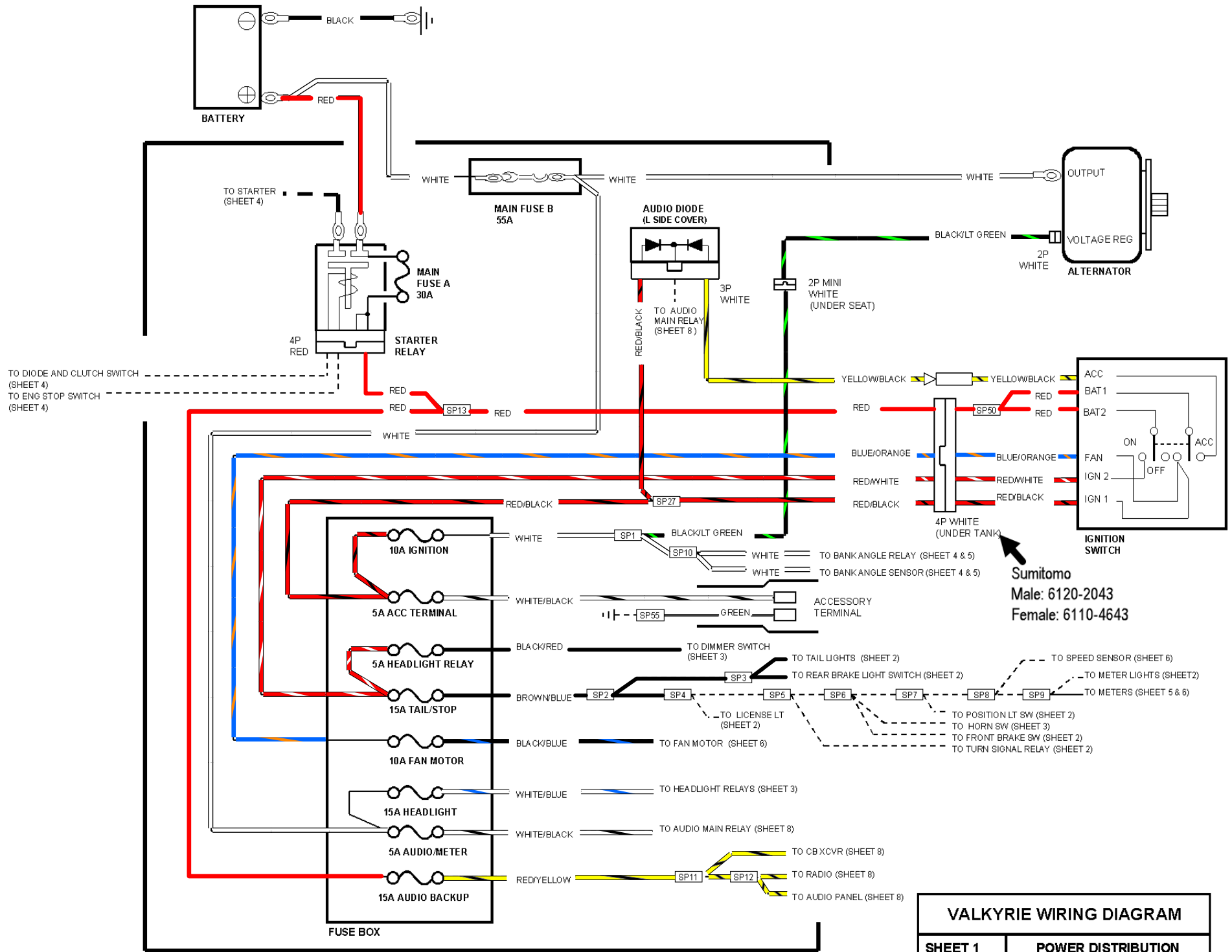
SWITCH - SINGLE POLE, SINGLE THROW

SWITCH - SINGLE POLE, DOUBLE THROW

SWITCH - DOUBLE POLE, DOUBLE THROW

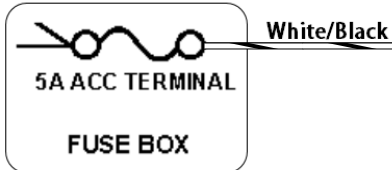
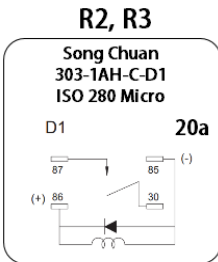
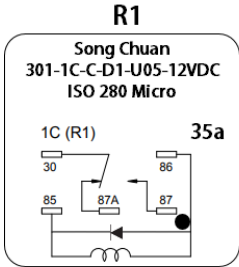


VALKYRIE WIRING DIAGRAM		
INTRO	NOTES & SYMBOLS	
INTERSTATE	REV: 3/11/02	RP BROWN

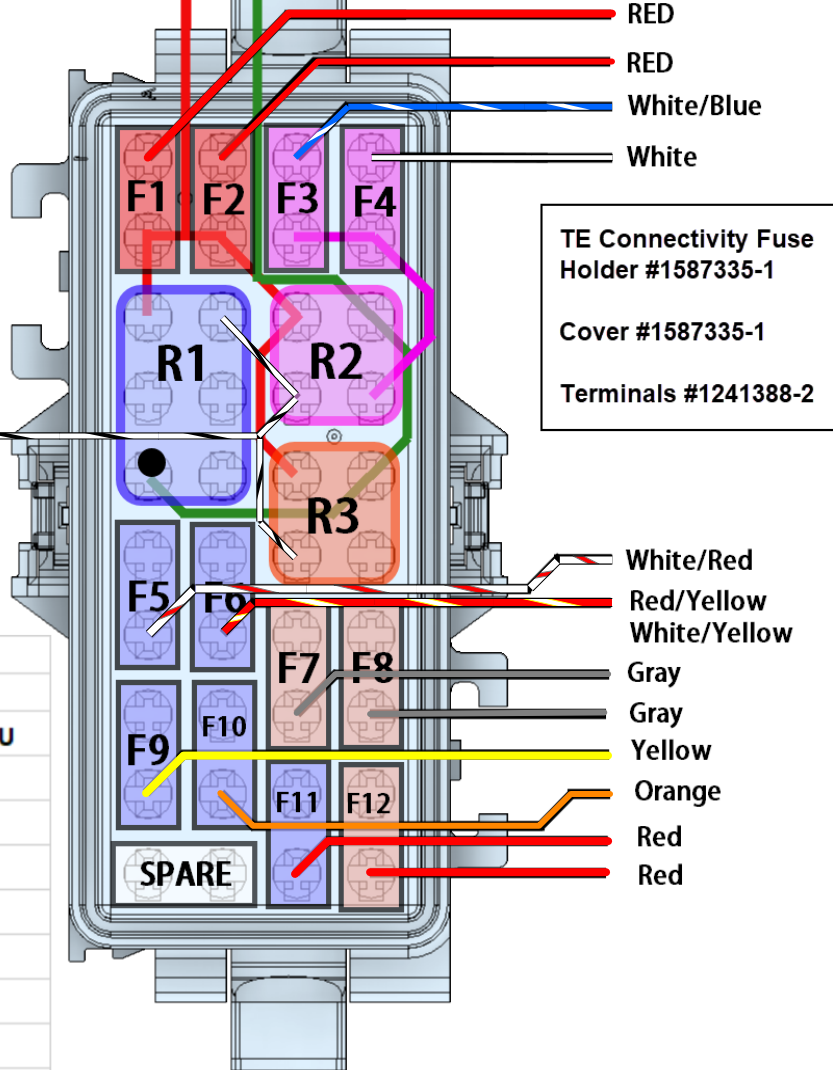


VALKYRIE WIRING DIAGRAM

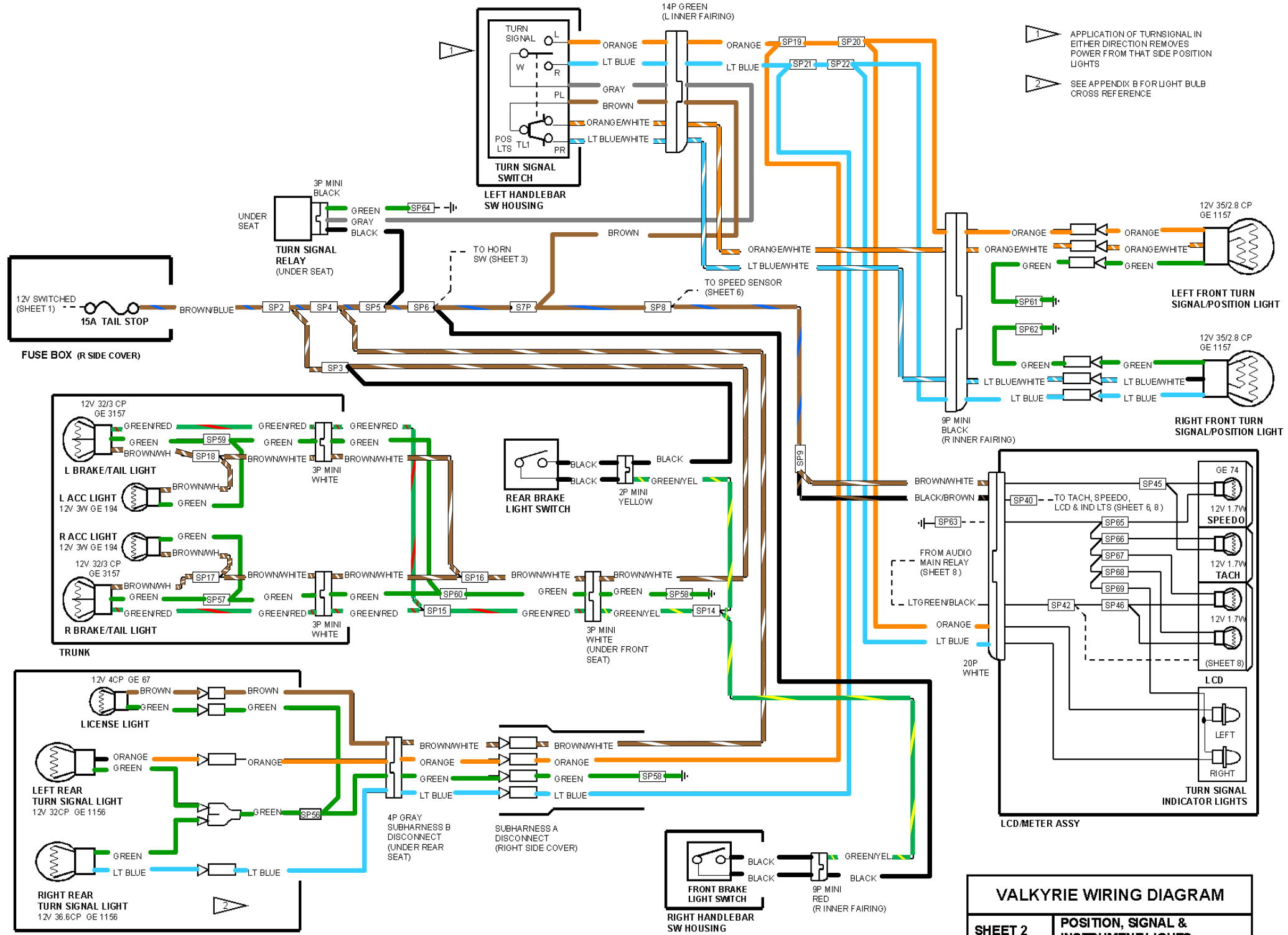
SHEET 1	POWER DISTRIBUTION	
INTERSTATE	REV: 3/11/02	RP BROWN



F1	Bat	DSP Memory	5	R
		XM Memory		R
F2		SignalBoss	10	W/BU
F3	R2	Driving Lights	15	W
F4		Colored Lights	10	Y
F5	R1	Cruise Motor	15	W/R
F6		Cruise Switch	5	R/Y
		XM Power		W/Y
F7	R3	HORN	15	GY
F8		Heated Plug	15	GY
F9		DSP Amp	10	Y
F10	R1	Trailer Lights	10	O
F11		USB Dash	5	R
F12	R3	Tire Sensors	5	R



VALKYRIE WIRING DIAGRAM		
SHEET 1A	POWER DISTRIBUTION	
Interstate	REV: 8/1/20	SG

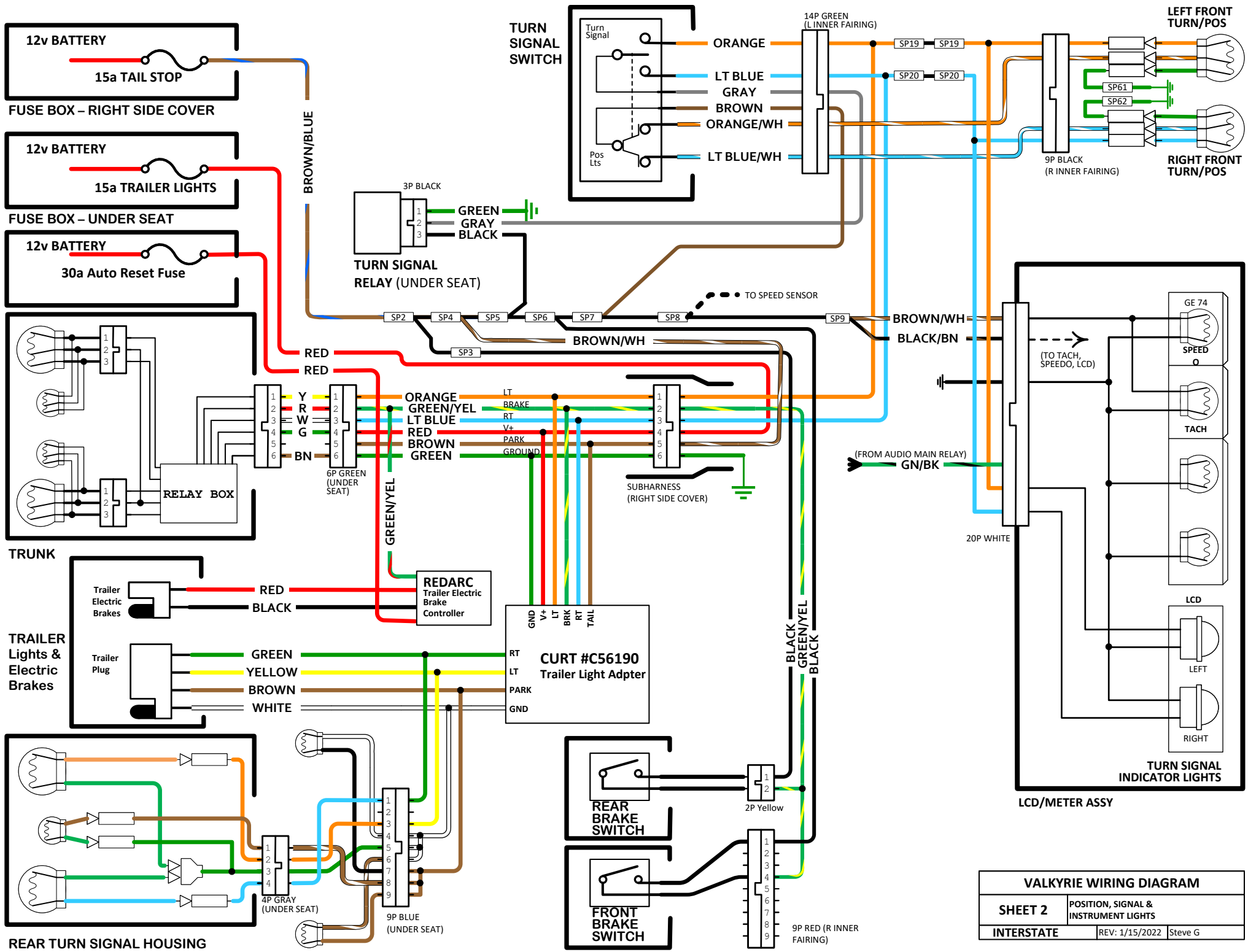


1 APPLICATION OF TURN SIGNAL IN EITHER DIRECTION REMOVES POWER FROM THAT SIDE POSITION LIGHTS

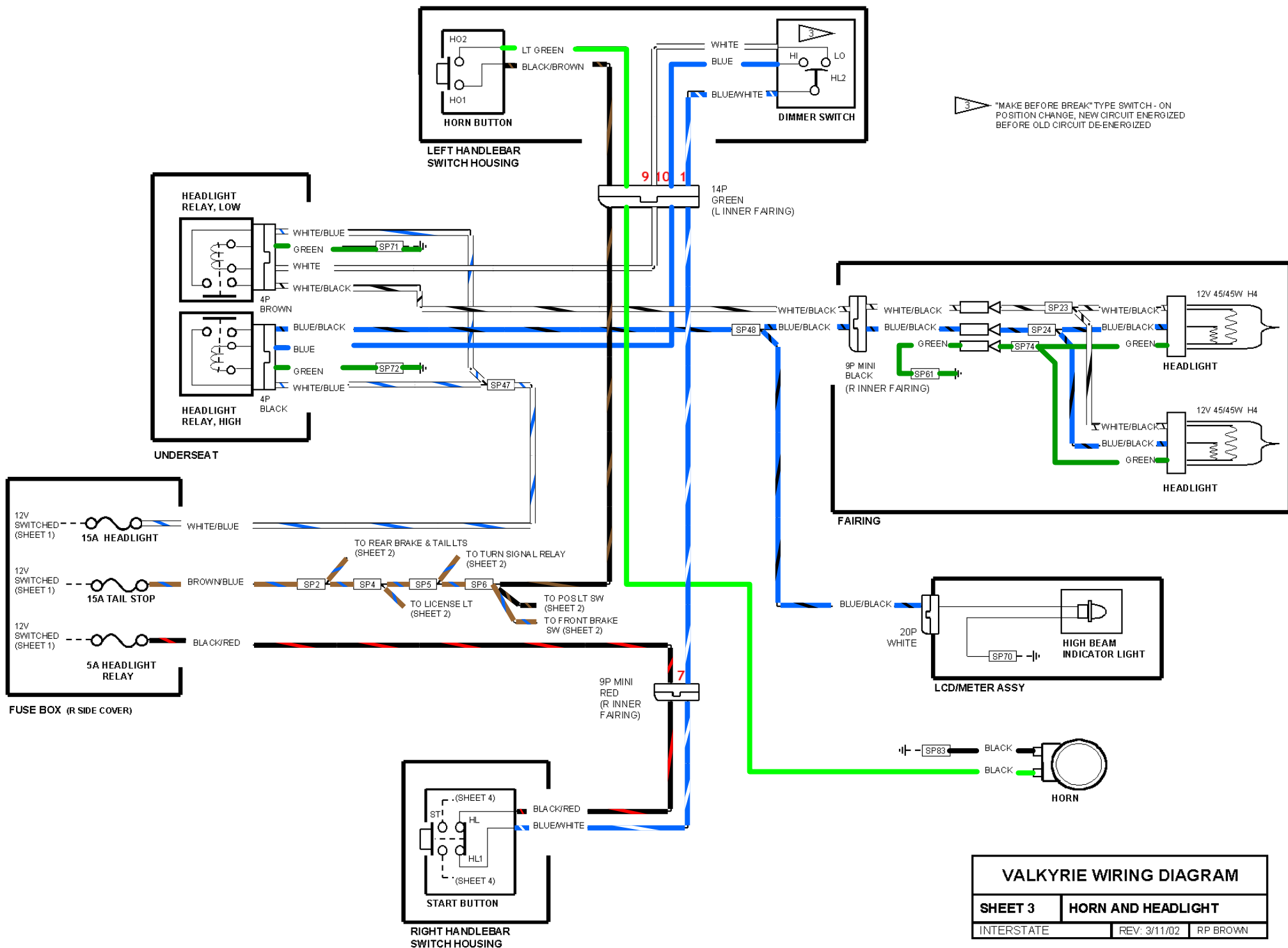
2 SEE APPENDIX B FOR LIGHT BULB CROSS REFERENCE

VALKYRIE WIRING DIAGRAM

SHEET 2	POSITION, SIGNAL & INSTRUMENT LIGHTS
INTERSTATE	REV: 3/11/02 RP BROWN

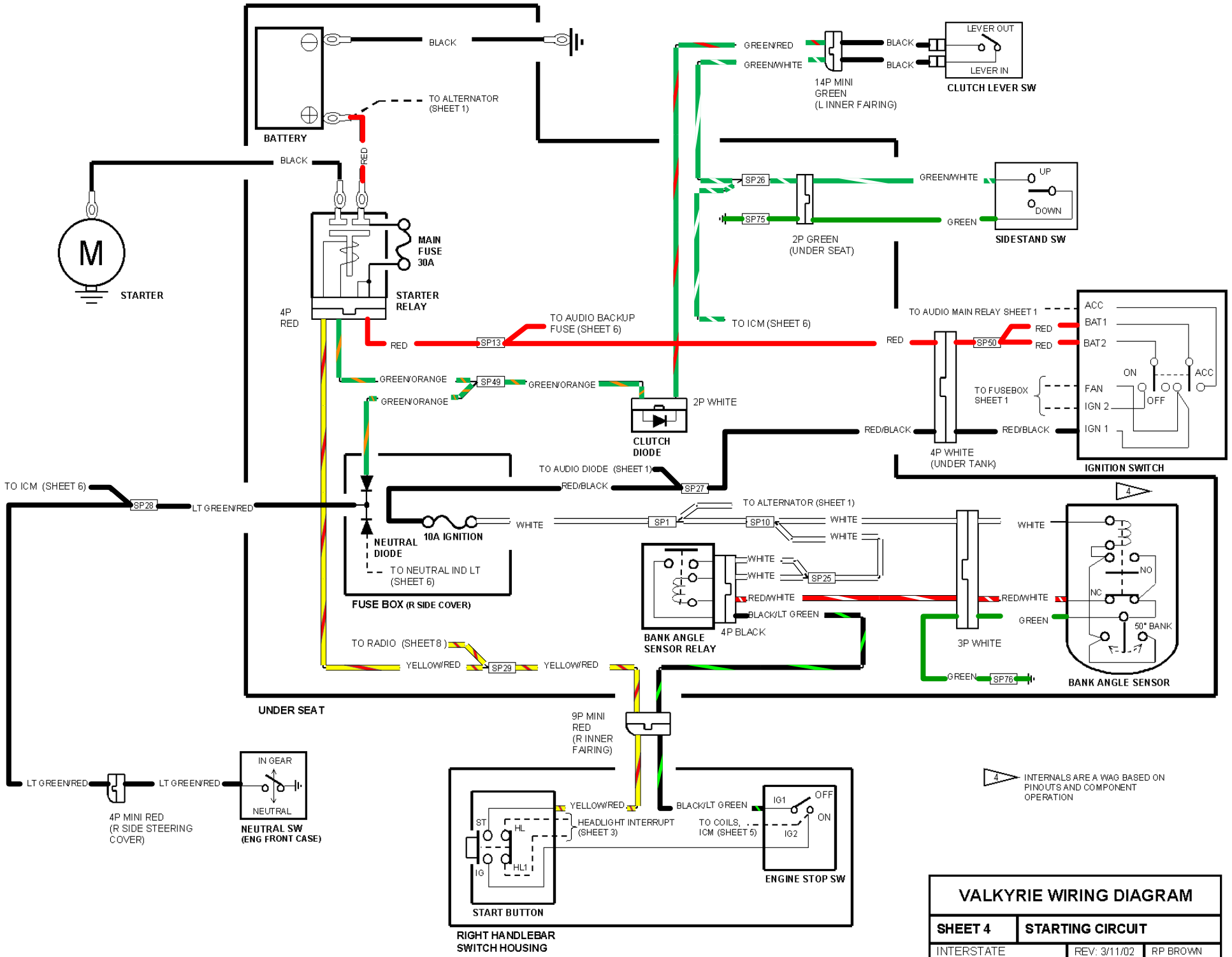


VALKYRIE WIRING DIAGRAM
SHEET 2 POSITION, SIGNAL & INSTRUMENT LIGHTS
 INTERSTATE REV: 1/15/2022 Steve G



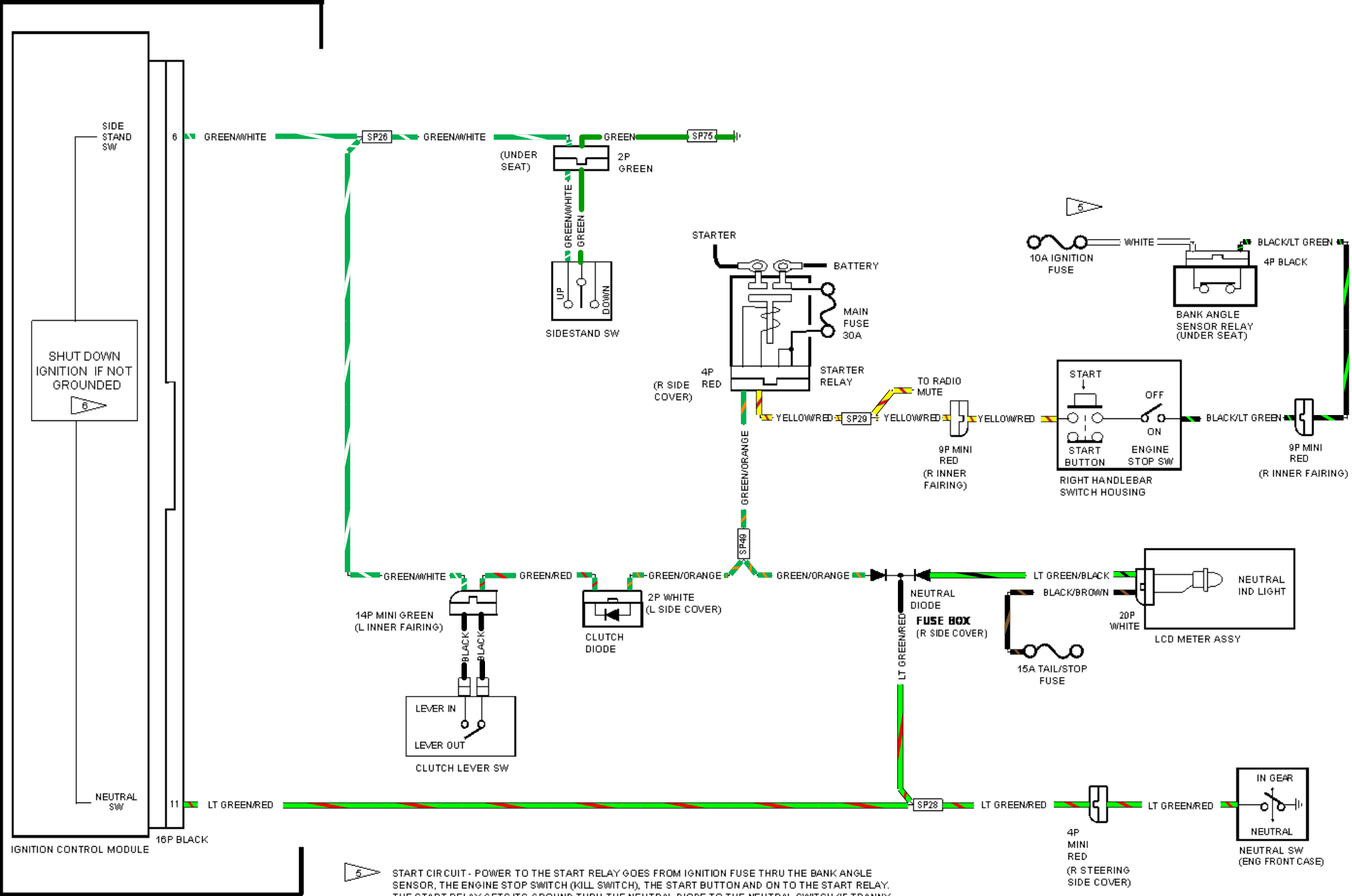
VALKYRIE WIRING DIAGRAM

SHEET 3	HORN AND HEADLIGHT	
INTERSTATE	REV: 3/11/02	RP BROWN

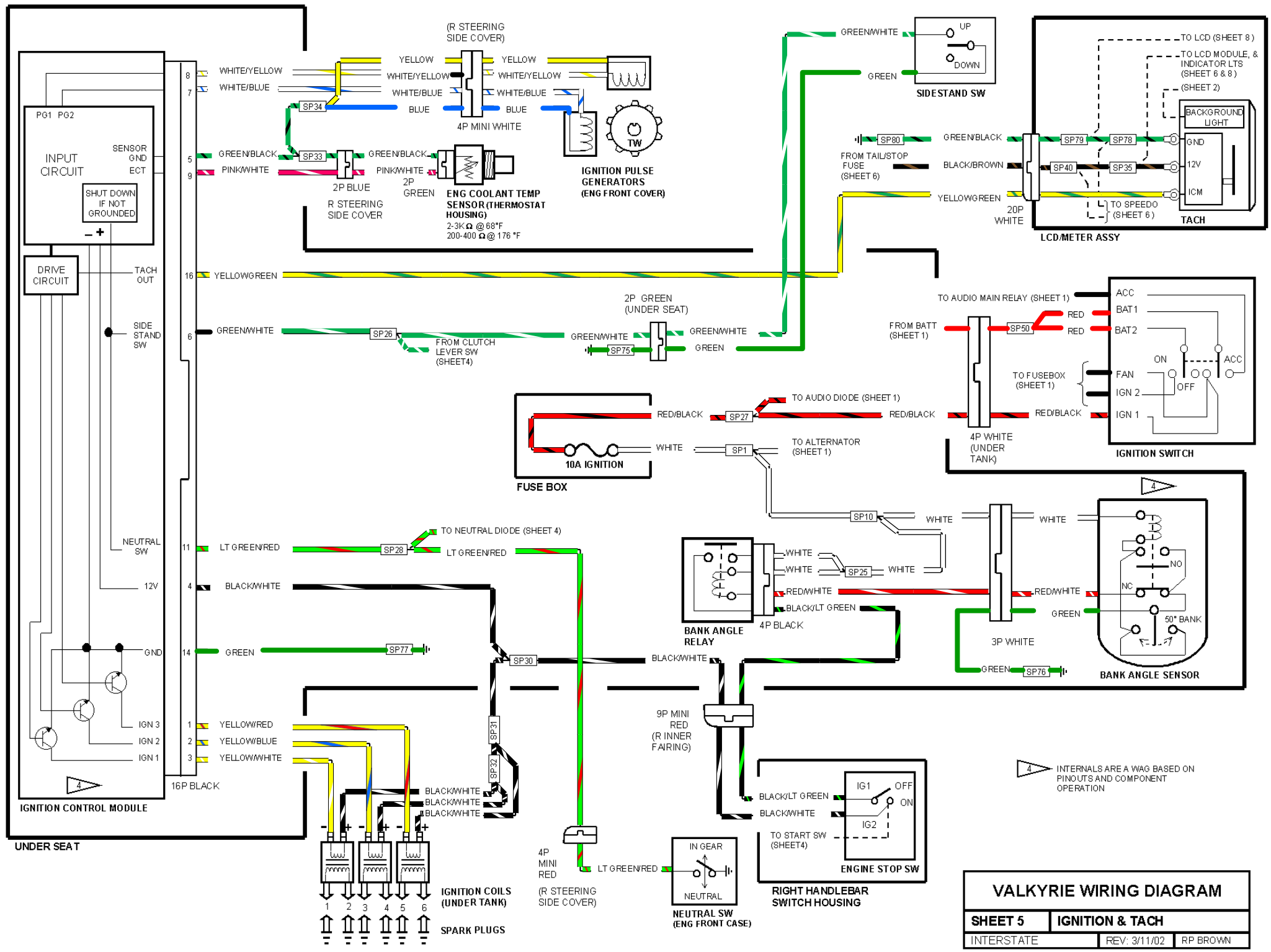


VALKYRIE WIRING DIAGRAM		
SHEET 4	STARTING CIRCUIT	
INTERSTATE	REV: 3/11/02	RP BROWN

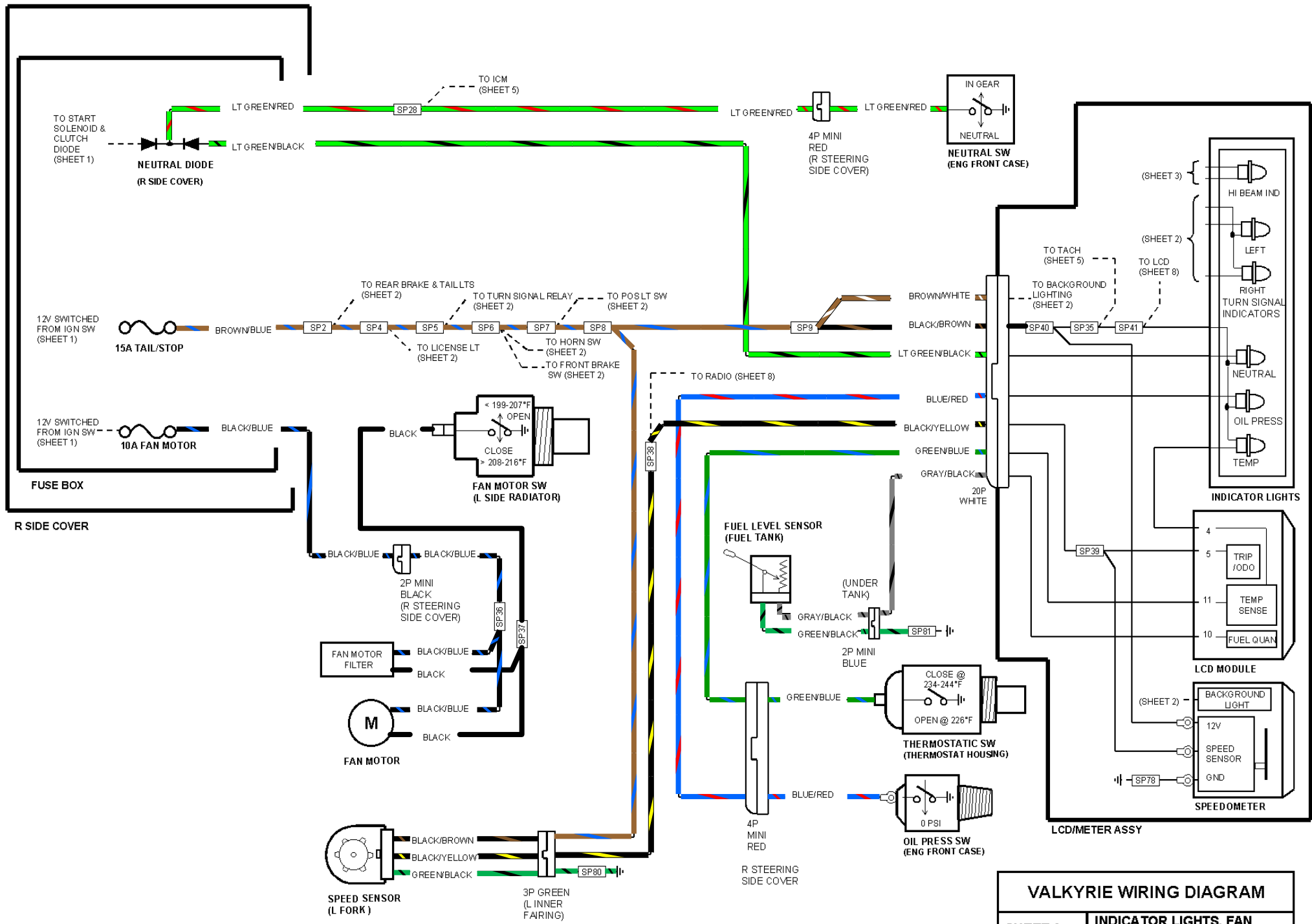
INTERSTATE Interlocks



- START CIRCUIT -** POWER TO THE START RELAY GOES FROM IGNITION FUSE THRU THE BANK ANGLE SENSOR, THE ENGINE STOP SWITCH (KILL SWITCH), THE START BUTTON AND ON TO THE START RELAY. THE START RELAY GETS ITS GROUND THRU THE NEUTRAL SWITCH (IF TRANNY IS IN NEUTRAL) AND/OR THRU THE CLUTCH DIODE, CLUTCH LEVER SWITCH (LEVER PULLED IN), TO THE SIDESTAND SWITCH (IF SIDESTAND IS UP).
- RUN CIRCUIT -** FOR ICM MODULE TO BE "ON" (I.E. ENGINE TO RUN), ICM MUST SEE A GROUND ON PIN 6 AND/OR PIN 11. PIN 11 SEES A GROUND THRU THE NEUTRAL SWITCH WHEN THE TRANNY IS IN NEUTRAL. PIN 6 SEES A GROUND THRU THE SIDESTAND SWITCH WHEN THE SIDESTAND IS UP.

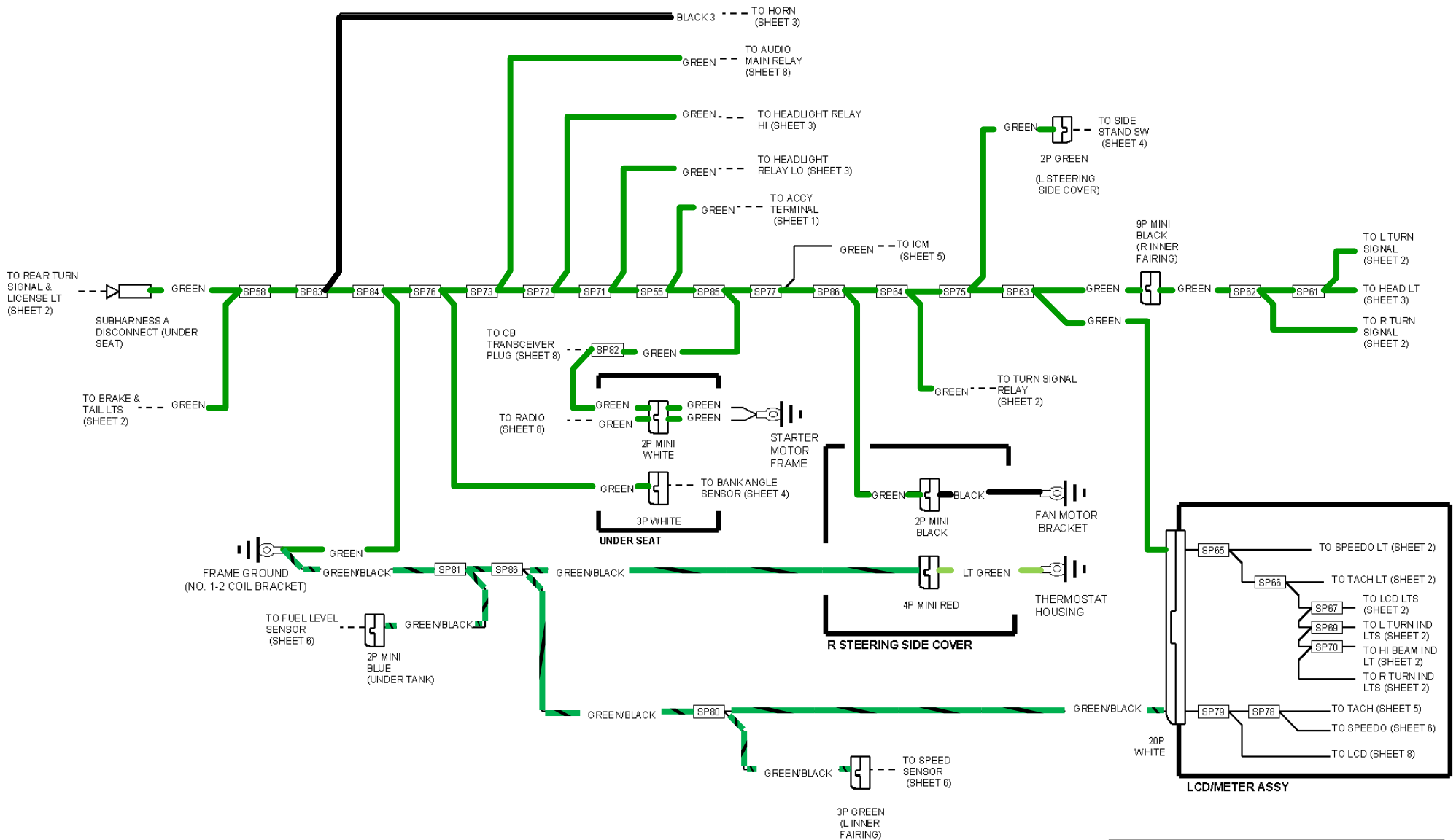
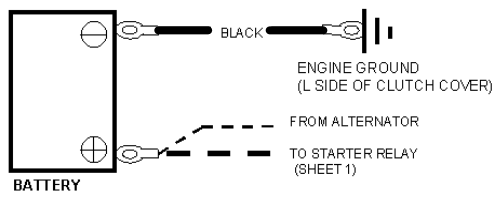


VALKYRIE WIRING DIAGRAM
 SHEET 5 | IGNITION & TACH
 INTERSTATE | REV: 3/11/02 | RP BROWN

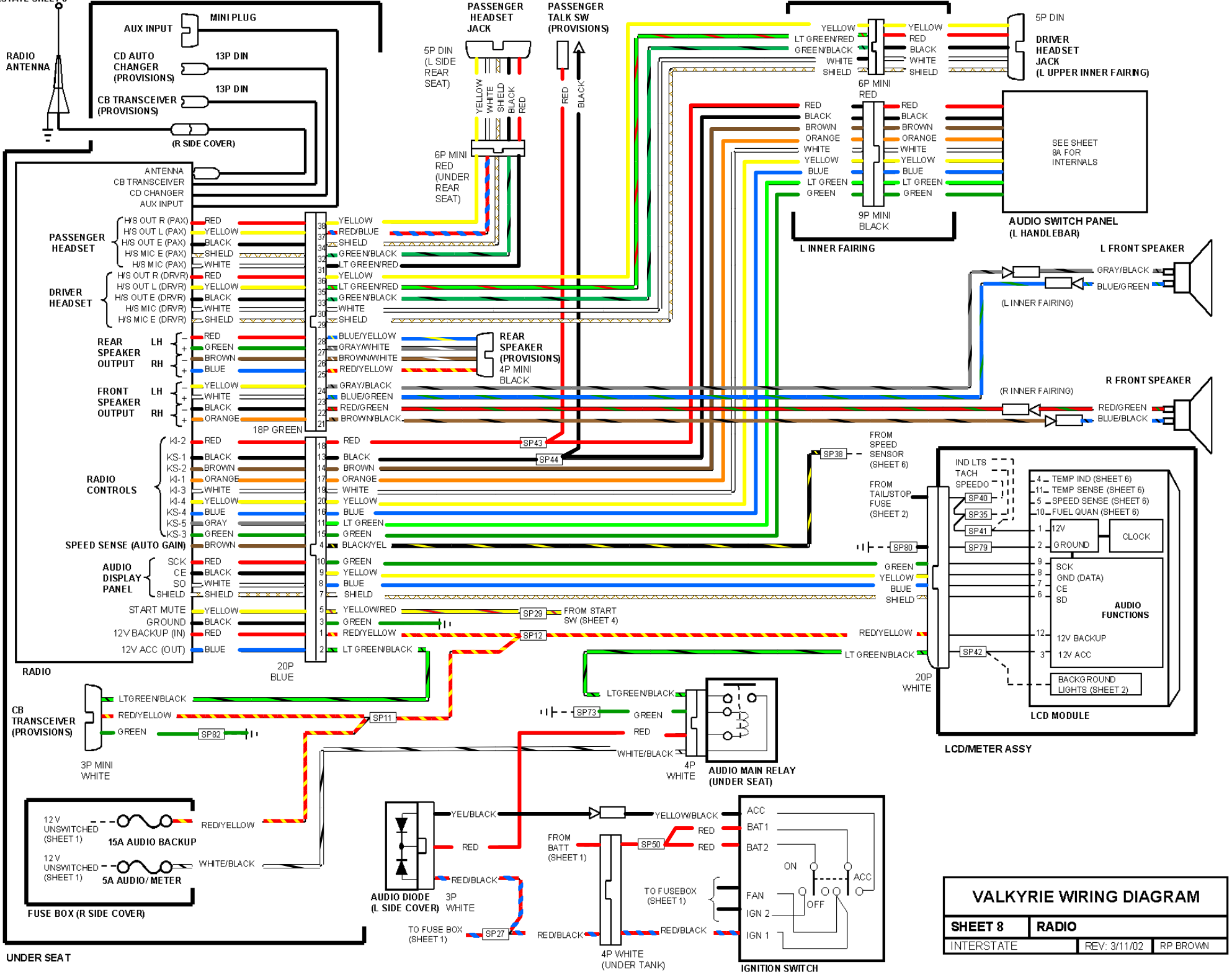


VALKYRIE WIRING DIAGRAM

SHEET 6	INDICATOR LIGHTS, FAN CONTROL & SPEEDO
INTERSTATE	REV: 3/11/02 RP BROWN

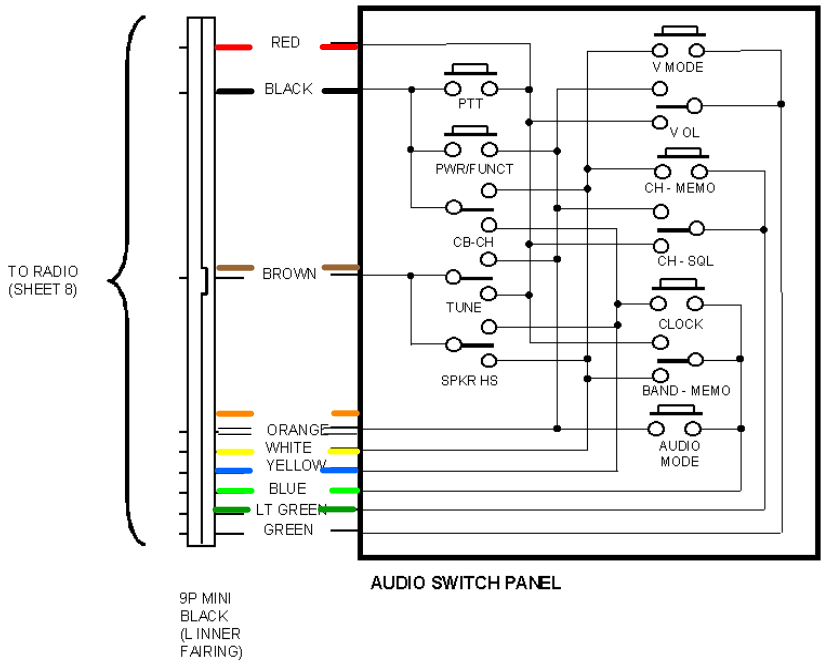


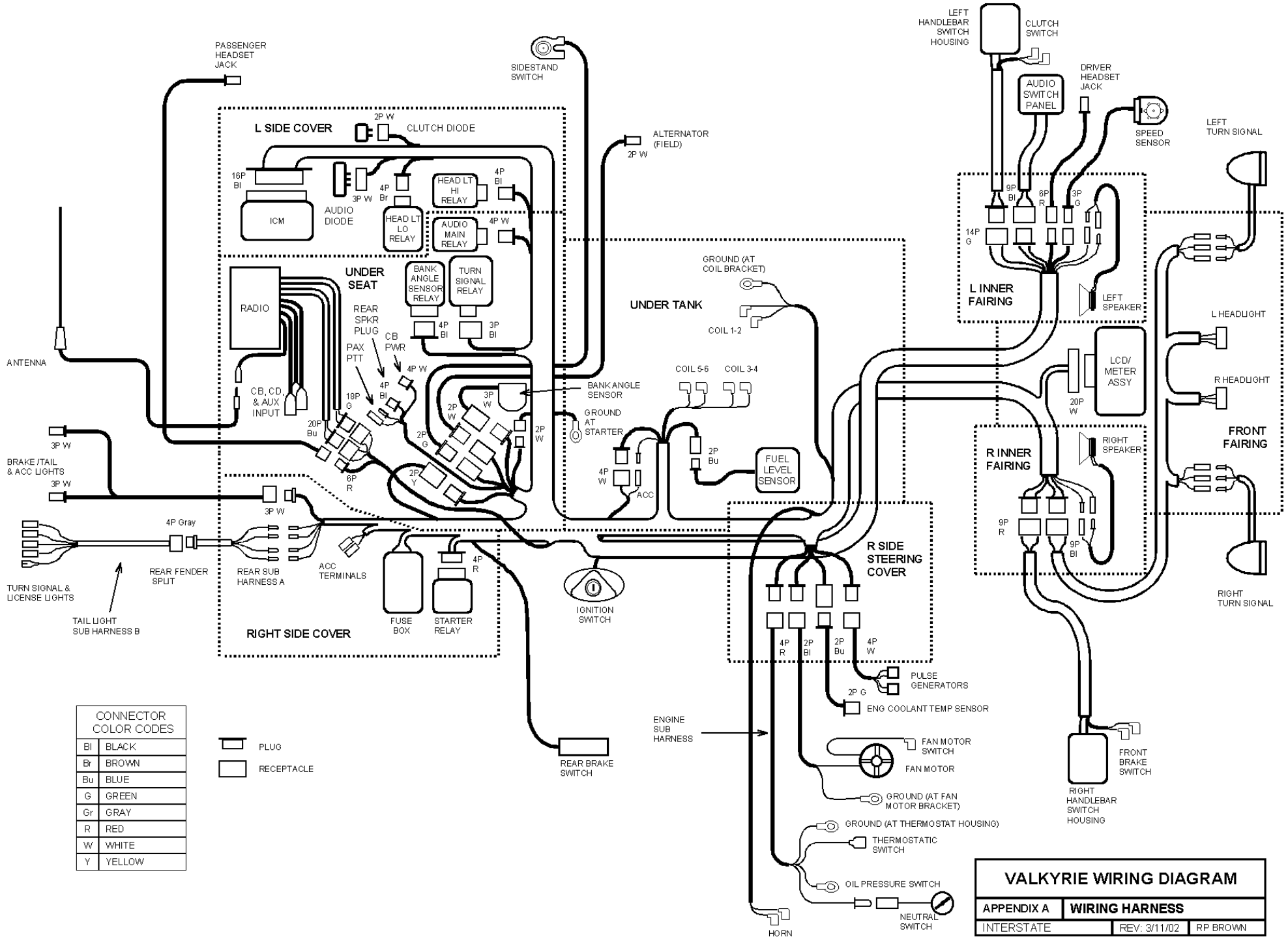
VALKYRIE WIRING DIAGRAM		
SHEET 7	GROUND BUS	
INTERSTATE	REV: 3/11/02	RP BROWN



VALKYRIE WIRING DIAGRAM

SHEET 8	RADIO
INTERSTATE	REV: 3/11/02 RP BROWN





CONNECTOR COLOR CODES	
Bl	BLACK
Br	BROWN
Bu	BLUE
G	GREEN
Gr	GRAY
R	RED
W	WHITE
Y	YELLOW

-  PLUG
-  RECEPTACLE

VALKYRIE WIRING DIAGRAM		
APPENDIX A	WIRING HARNESS	
INTERSTATE	REV. 3/11/02	RP BROWN

VALKYRIE LIGHT BULB CROSS REFERENCE

Application	Effectivity ¹		Stock Spec/Quan	Honda P/N	Bulb, Base	Replacement Bulbs	Volts	Amps	Watts	MSCP ²	Avg Life Hrs	MOL ³	
Headlight		CT	12V60/55W	34901-MC7-601	T-5, P43T-38	H4, 9003, HB2	12.8	4.7/4.3	60/55				
	C	CT	12V60/55W	34901-MC7-601AH									
			CF	12V 45/45 W X 2	34901-MS2-671	T-5, P43T-38	H4, 9003 ⁴	12.8	3.5/3.5	45/45			
Brake/Tail Light	C	CT	12V 32/3 CP (12V 23/8W)	34905-425-671	S-8, D.C. Index	1157 2357	12.8/14 12.8/14	2.1/1.59 2.23/1.59	26.8/8.3 28.54/8.26	32/3 40/3	1200/5000 400/5000	2.00 2.00	
			CF	12V 21/5 W ECE X 2	34906-MBB-611	S-8, Plastic Wedge	3157 3357	12.8/14 12.8/14	2.1/1.59 2.23/1.59	26.8/8.3 28.54/8.26	32/3 40/3	1200/5000 400/5000	2.13 2.13
License Light		CT	CF	12V 4 CP	34902-500-003	G-6, S.C. Bayonet	67	13.5	0.59	8	4	5000	1.44
		CT	CF	12V 4 CP	34908-272-000								
	C	CT	CF	12V 4 CP	34909-505-610								
		CT	CF	12V 8W	34616-568-671								
		CT	CF	12V 4CP 8W (67)	34909-505-003								
Front Turn/Running Light	C	CT	12V 32/3 CP X 2 (12V 23/8W)	34905-425-671	S-8, D.C. Index	1157	12.8	2.1/1.59	26.9/7.5	32/3	1200/1500	2.00	
		98-00C, 00CT, CF	12V 35/2.8 CP X 2 (12V 21/5W)	34906-447-711									
Rear Turn Signal	C	CT	12V 32 CP X 2 (12V 23W)	34905-268-671	S-8, S.C. Bayonet	1156	12.8	2.1	26.9	32	1200	2.00	
		00CF	12V 36.6 CP X 2 (12V 21W)	34908-634-611									
Tach & Speedo Lt	C	CT	12V 1.7 W	34908-MB9-871	T-3 1/4, Wedge	161	14.0	0.19	2.7	1	4000	1.06	
		98CT	T10 (mm)	34908-MZ0-760		158	14.0	0.24	3.4	2	500	1.06	
			CF	12V 1.7 W	34908-MG9-951	T-1 3/4, Mini Wedge	74 70	14.0 14.0	0.10 0.15	1.4 2.1	1 2	500 1000	0.80 0.80
LCD Module Lt			CF	12V 1.7 W	T-1 3/4, Mini Wedge	74	14.0	0.10	1.4	1	500	0.80	
						70	14.0	0.15	2.1	2	1000	0.80	
Hi Beam, Neutral, & Turn Signal Ind	C	CT	12V 3 W	34908-KM1-671	T-3 1/4, Wedge	161	14.0	0.19	2.7	1	4000	1.06	
						158	14.0	0.24	3.4	2	500	1.06	
Trunk Accy Lights			CF	12V 3W X 2	T-3 1/4, Wedge	158	14.0	0.24	3.4	2	500	1.06	
						194	14.0	0.27	3.8	2	2500	1.06	
						168	14.0	0.35	4.9	3	1500	1.06	

¹ C = Standard; CT = Tourer; CF = Interstate (All year models except as shown)

² Mean spherical candle power

³ Mean overall length (inches)

⁴ Stock Honda bulb is proprietary - H4 replacement may require shim

VALKYRIE WIRING DIAGRAM

APPENDIX B	LIGHT BULB CROSS REF
INTERSTATE	REV. 3/11/02 RP BROWN