

# H<sub>2</sub>O COIL™

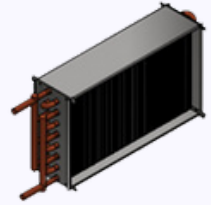
## Build to Order Series



**HPT Series PTAC Coils**  
 Built to ARI 410 Certification  
 Galvanized Steel 18 Ga. frame  
 Horizontal/Vertical Installation  
 Full one year warranty  
 Send your dimensional data.

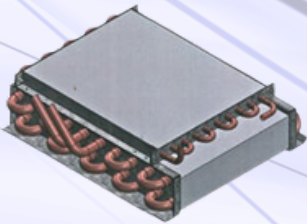


**HVR Series**  
 Duct Coil for Compact VRF AHU  
 Built to ARI 410 Certification  
 Galvanized Steel 18 Ga. frame  
 Horizontal/Vertical Installation  
 Full one year warranty  
 Send your VRF AHU dimensional data with the supply opening



**HSD Series Slip-N-Drive**  
 Built to ARI 410 Certification  
 Galvanized Steel 18 Ga. frame  
 Horizontal/Vertical Installation  
 Full one year warranty  
 Send your VAV dimensional data

## H2O Coil Custom Worksheet



**Hot or Chilled Water, Steam, Condenser & DX Coils .....Built to your specifications.**

**Don't lose out on jobs, big or small!**

**New 4-5 week production, (2 or 3 week production cycles are available)**

**Just fill out the worksheet below and fax it to 516 599-2000**

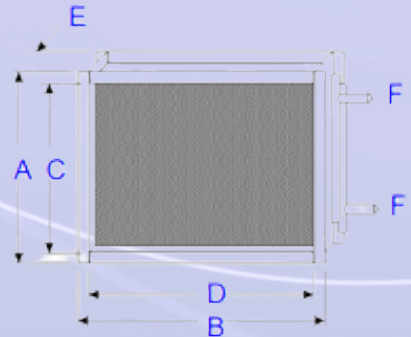
### DUCT COIL DIMENSIONAL DATA

### DUCT COIL PERFORMANCE DATA

Item	A	B	C	D	E	F
1						
2						
3						

Item	QTY	ROWS	BTU's	CFM	GPM	EWT	EAT
1							
2							
3							

### NOTES:



<u>Customer Name</u>	<u>Job Name</u>	<u>Tel. #</u>	<u>E-Mail</u>	<u>Contact</u>