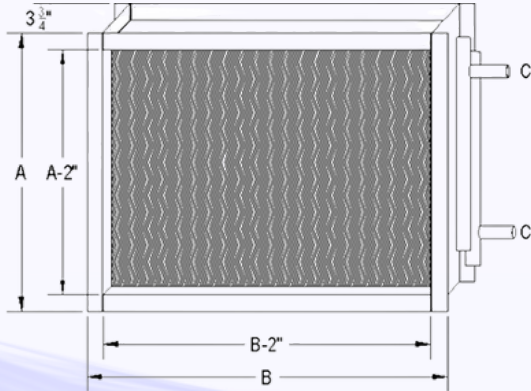


H2O COIL™

H2O Series 1 Row Hot Water Duct Coils



- Built to ARI 410 Certification
- Galvanized Steel 16 Ga. frame
- Aluminum Fins, .0045 thickness
- Copper Tubing, 1/2" w/ .017 wall
- Max 500 PSI Operating Pressure
- Max 2500 PSI Ultimate Pressure
- BTU outputs from 5,000 to 50,000
- Horizontal/Vertical Installation
- Full one year warranty
- Call for other performance criteria ratings

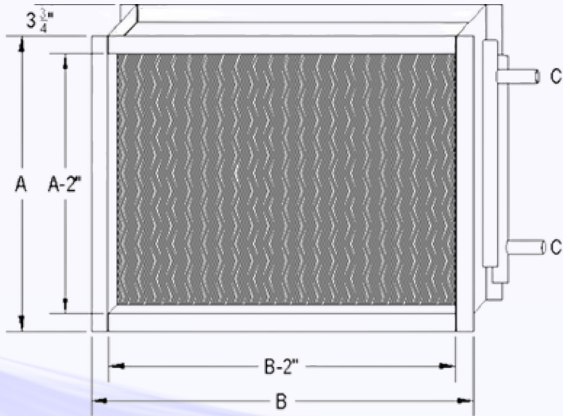
Part Number	GPM	CFM	140 EWT	180 EWT	APD	Length " (A)	Width " (B)	Connection" (C)
H2O-1-0712	4	200	5,881	8,850	.03	10	14	7/8 OD
		400	7,927	11,930	.09			
		600	9,223	13,880	.17			
	WPD'		.36	.54				
H2O-1-0718	4	300	8,725	13,130	.03	10	20	7/8 OD
		550	11,297	17,000	.08			
		800	12,998	19,560	.15			
	WPD'		.39	.58				
H2O-1-0724	4	800	15,310	23,040	.09	10	26	7/8 OD
		1000	16,599	24,980	.13			
		1200	17,669	26,590	.17			
	WPD'		.42	.63				
H2O-1-1012	5	800	12,130	18,302	.17	12	14	7/8 OD
		1000	13,060	19,750	.24			
		1200	13,830	20,940	.32			
	WPD'		.69	.68				
H2O-1-1018	6	1000	17,310	25,990	.13	12	20	7/8 OD
		1200	18,470	27,770	.17			
		1400	19,460	29,290	.22			
	WPD'		.98	.96				
H2O-1-1024	7	1200	22,440	33,590	.11	12	24	7/8 OD
		1400	23,760	35,590	.14			
		1600	24,910	37,350	.17			
	WPD'		1.34	1.3				

IN STOCK

*Performance data based on 55° EAT



H2O Series 1 Row Hot Water Duct Coils



- Built to ARI 410 Certification
- Galvanized Steel 16 Ga. frame
- Aluminum Fins, .006 thickness
- Copper Tubing, 1/2" w/ .017 wall
- Max 500 PSI Operating Pressure
- Max 2500 PSI Ultimate Pressure
- BTU outputs from 10,000 to 70,000
- Horizontal/Vertical Installation
- Full one year warranty
- Call for other performance criteria ratings

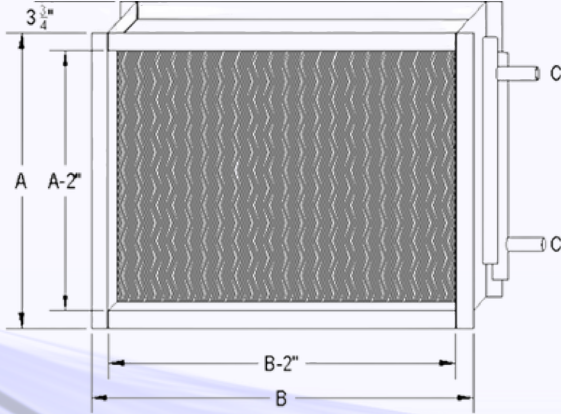
Part Number	GPM	CFM	140 EWT	180 EWT	APD	Length " (A)	Width " (B)	Connection" (C)
H2O-1-1212	4	400	10,700	16,810	.06	14.5	14	7/8 OD
		600	13,000	20,540	.12			
		800	14,680	23,290	.19			
	WPD		.54	.52				
H2O-1-1218	4	800	17,940	28,280	.10	14.5	20	7/8 OD
		1000	19,750	31,210	.14			
		1200	21,210	33,610	.19			
	WPD		.62	.59				
H2O-1-1224	4	1200	24,420	38,500	.12	14.5	26	7/8 OD
		1400	25,950	40,990	.15			
		1600	27,260	43,130	.19			
			.70	.66				
H2O-1-1515	5	800	30,700	19,630	.10	17	17	7/8 OD
		1000	34,230	21,840	.14			
		1200	37,190	23,680	.19			
	WPD		1.72	1.62				
H2O-1-1520	5	1200	26,990	42,230	.12	17	22	7/8 OD
		1400	28,910	45,300	.15			
		1600	30,580	47,980	.19			
	WPD		1.99	1.87				
H2O-1-1524	5	1600	33,200	51,970	.14	17	26	7/8 OD
		1800	34,870	54,540	.17			
		2000	36,350	57,020	.20			
	WPD		2.2	2.06				

IN STOCK

*Performance data based on 65° EAT



H2O Series 1 Row Hot Water Duct Coils



- Built to ARI 410 Certification
- Galvanized Steel 16 Ga. frame
- Aluminum Fins, .006 thickness
- Copper Tubing, 1/2" w/ .017 wall
- Max 500 PSI Operating Pressure
- Max 2500 PSI Ultimate Pressure
- BTU outputs from 25,000 to 120,000
- Horizontal/Vertical Installation
- Full one year warranty
- Call for other performance criteria ratings

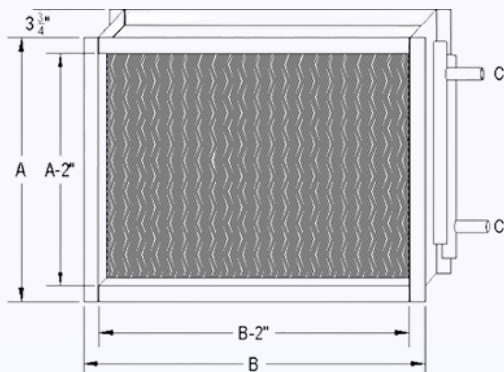
Part Number	GPM	CFM	140 EWT	180 EWT	APD	Length " (A)	Width " (B)	Connection" (C)
H2O-1-1718	6	1200	26,840	42,200	.11	19.5	20	7/8 OD
		1400	28,720	45,250	.14			
		1600	30,360	47,910	.18			
	WPD		1.15	1.1				
H2O-1-1724	6	1800	36,540	57,490	.13	19.5	26	7/8 OD
		2000	38,130	60,070	.16			
		2200	39,570	62,390	.19			
	WPD		1.27	1.21				
H2O-1-1730	6	2400	77,340	103,690	.15	19.5	32	7/8 OD
		2600	79,740	106,990	.17			
		2800	82,120	110,360	.19			
	WPD		1.39	1.33				
H2O-1-2024	8	2000	42,680	67,040	.13	22	26	7/8 OD
		2200	44,460	69,910	.15			
		2400	46,090	72,540	.17			
	WPD		1.83	1.76				
H2O-1-2030	8	2800	54,430	85,520	.15	22	32	1 1/8 OD
		3000	55,930	87,940	.17			
		3200	57,930	90,200	.19			
	WPD		1.31	1.24				
H2O-1-2036	8	3200	62,300	97,760	.14	22	38	1 1/8 OD
		3600	69,390	102,470	.17			
		4000	68,280	107,470	.20			
	WPD		1.45	1.37				

IN STOCK

*Performance data based on 65° EAT

H2O COIL™

H2O Series 2 Row Hot Water Duct Coils



- Built to ARI 410 Certification
- Galvanized Steel 16 Ga. frame
- Aluminum Fins, .0045 thickness
- Copper Tubing, 1/2" w/ .017 wall
- Max 500 PSI Operating Pressure
- Max 2500 PSI Ultimate Pressure
- BTU outputs from 10,000 to 60,000
- Horizontal/Vertical Installation
- Full one year warranty
- Call for other performance criteria ratings

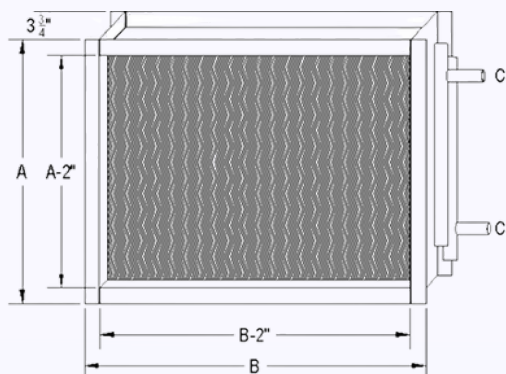
Part Number	GPM	CFM	140 EWT	180 EWT	APD	Length " (A)	Width " (B)	Connection" (C)
H2O-2-0712	6	300	11,300	17,600	.12	10	14	7/8 OD
		400	13,300	20,600	.18			
		500	14,900	23,200	.26			
	WPD'		2.9	2.6				
H2O-2-0718	6	500	17,800	27,600	.14	10	20	7/8 OD
		600	19,700	30,500	.18			
		700	21,300	33,100	.23			
	WPD'		2.9	2.8				
H2O-2-0724	6	700	24,100	37,400	.15	10	26	7/8 OD
		800	25,900	40,100	.18			
		900	27,500	42,700	.22			
	WPD'		3.1	3.0				
H2O-2-1012	7.2	400	15,000	23,200	.12	12	14	7/8 OD
		500	16,900	26,300	.17			
		600	18,600	29,000	.22			
	WPD'		2.7	2.6				
H2O-2-1018	7.2	700	24,100	37,500	.15	12	20	7/8 OD
		800	25,900	40,200	.18			
		900	27,600	42,800	.22			
	WPD'		2.9	2.8				
H2O-2-1024	7.2	1000	32,900	51,100	.17	12	24	7/8 OD
		1100	34,600	53,700	.19			
		1200	36,100	56,100	.22			
	WPD'		3.1	3.0				
H2O-2-1212	4	600	19,200	30,300	0.16	14.5	14	7/8 OD
		700	20,800	32,900	0.20			
		800	22,300	35,200	0.24			
	WPD'		2.28	33				
H2O-2-1215	4	400	16,164	25,611	0.07	14.5	17	7/8 OD
		600	20,593	32,038	0.14			
		800	23,990	37,442	0.23			
	WPD'		1.69	1.58				

IN STOCK

*Performance data based on 65° EAT

H2O COIL™

H2O Series 2 Row Hot Water Duct Coils



- Built to ARI 410 Certification
- Galvanized Steel 16 Ga. frame
- Aluminum Fins, .0045 thickness
- Copper Tubing, 1/2" w/ .017 wall
- Max 500 PSI Operating Pressure
- Max 2500 PSI Ultimate Pressure
- BTU outputs from 21,000 to 95,000
- Horizontal/Vertical Installation
- Full one year warranty
- Call for other performance criteria ratings

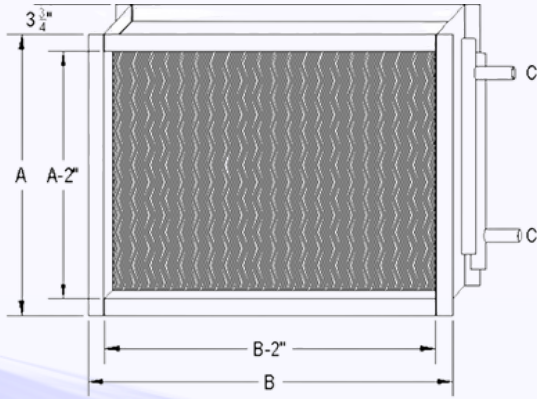
Part Number	GPM	CFM	140 EWT	180 EWT	APD	Length " (A)	Width " (B)	Connection" (C)
H2O-2-1218	4	600	21,896	34,016	0.1	14.5	20	7/8 OD
		800	25,669	39,970	0.17			
		1000	28,718	44,805	0.25			
	WPD'		1.87	1.74				
H2O-2-1224	4	800	28,303	43,927	0.1	14.5	26	7/8 OD
		1000	31,874	49,562	0.15			
		1200	34,856	54,281	0.21			
	WPD'		2.21	2.06				
H2O-2-1515	6	900	29,100	45,000	.16	17	17	7/8 OD
		1000	30,700	47,500	.18			
		1100	32,100	49,800	.20			
	WPD'		2.6	2.2				
H2O-2-1518	6	1100	34,900	54,000	0.16	17	20	7/8 OD
		1200	35,500	56,400	0.18			
		1300	37,900	58,700	0.20			
	WPD'		2.4	2.3				
H2O-2-1520	6	1000	33,843	52,612	0.15	17	22	7/8 OD
		1200	37,317	58,103	0.21			
		1400	40,327	62,879	0.27			
	WPD'		2.48	2.33				
H2O-2-1524	6	1200	39,816	61,866	0.15	17	26	7/8 OD
		1400	43,155	67,145	0.2			
		1600	46,098	71,796	0.25			
	WPD'		2.73	2.56				
H2O-2-1530	6	1400	46,590	72,317	0.14	17	32	7/8 OD
		1600	49,919	77,557	0.17			
		1800	52,882	82,228	0.21			
	WPD'		3.11	2.91				
H2O-2-1718	7	1000	34,113	53,172	0.14	19.5	20	7/8 OD
		1200	37,635	58,769	0.19			
		1400	40,684	63,642	0.25			
	WPD'		1.68	1.6				

*Performance data based on 65° EAT

IN STOCK

H2O COIL™

H2O Series 2 Row Hot Water Duct Coils



- Built to ARI 410 Certification
- Galvanized Steel 16 Ga. frame
- Aluminum Fins, .0045 thickness
- Copper Tubing, 1/2" w/ .017 wall
- Max 500 PSI Operating Pressure
- Max 2500 PSI Ultimate Pressure
- BTU outputs from 45,000 to 125,000
- Horizontal/Vertical Installation
- Full one year warranty
- Call for other performance criteria ratings

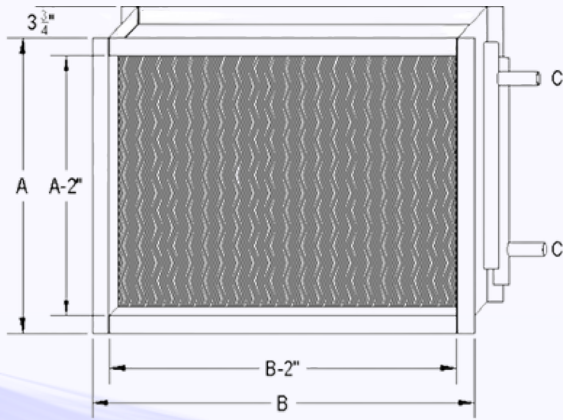
Part Number	GPM	CFM	140 EWT	180 EWT	APD	Length " (A)	Width " (B)	Connection" (C)
H2O-2-1724	7	1400	45,374	70,715	0.15	19.5	26	7/8 OD
		1600	48,578	75,801	0.19			
		1800	51,435	80,346	0.23			
	WPD'		1.36	1.27				
H2O-2-1730	7	1800	55,854	87,014	0.16	19.5	32	7/8 OD
		2000	58,788	91,656	0.19			
		2200	61,451	95,882	0.23			
	WPD'		1.55	1.45				
H2O-2-1736	8	2700	75,100	60,795	0.17	19.5	38	1 1/8 OD
		3000	78,500	64,510	0.20			
		3300	81,500	67,772	0.23			
	WPD'		1.1	1.0				
H2O-2-2020	8	1400	37,664	60,795	0.17	22	22	7/8 OD
		1600	39,835	64,510	0.21			
		1800	41,727	67,772	0.25			
	WPD'		1.92	1.8				
H2O-2-2025	8	1600	51,772	80,799	0.14	22	27	7/8 OD
		1800	54,957	85,875	0.17			
		2000	57,842	90,478	0.21			
	WPD'		1.78	1.71				
H2O-2-2030	8	2000	61,934	96,635	0.15	22	32	1 1/8 OD
		2200	64,848	101,286	0.18			
		2400	67,521	105,552	0.21			
	WPD'		1.20	1.13				
H2O-2-2324	10	2000	59,830	93,981	.17	25.75	26	1 1/8 OD
		2200	62,609	98,459	.20			
		2400	65,147	102,560	.23			
	WPD'		0.87	0.84				

IN STOCK

*Performance data based on 65° EAT



H2O Series 2 & 3 Row Hot Water Duct Coils



- Built to ARI 410 Certification
- Galvanized Steel 16 Ga. frame
- Aluminum Fins, .0045 thickness
- Copper Tubing, 1/2" w/ .017 wall
- Max 500 PSI Operating Pressure
- Max 2500 PSI Ultimate Pressure
- BTU outputs from 29,000 to 275,000
- Horizontal/Vertical Installation
- Full one year warranty
- Call for other performance criteria ratings

Part Number	GPM	CFM	140 EWT	180 EWT	APD	Length " (A)	Width " (B)	Connection" (C)
H2O-2-2336	15	3000	94,560	147,626	.17	25.75	38	1 3/8 OD
		3300	99,212	155,037	.20			
		3600	103,496	161,869	.23			
	WPD'		1.32	1.25				
H2O-2-2348	20	4000	136,297	212,165	0.17	25.75	50	1 3/8 OD
		4400	143,409	223,426	0.2			
		4800	149,980	233,848	0.23			
	WPD'		2.57	2.44				
H2O-3-1520	6	600	29,953	46,406	.10	17	22	7/8 OD
		800	36,197	56,220	.16			
		1000	41,398	64,442	.23			
	WPD'		1.52	1.44				
H2O-3-2020	7	1000	45,259	70,329	.14	22	22	7/8 OD
		1200	50,488	78,618	.19			
		1400	55,053	85,860	.25			
	WPD'		1.55	1.48				
H2O-3-2025	8	1400	60,688	94,261	.17	22	27	7/8 OD
		1600	65,525	101,961	.21			
		1800	69,943	108,900	.26			
	WPD'		2.15	2.05				
H2O-3-2030	8	2000	84,400	131,100	.17	22	32	1 1/8 OD
		2200	88,500	137,600	.20			
		2400	92,300	143,700	.24			
	WPD'		1.4	1.3				
H2O-3-2324	8	1800	77,400	120,900	.17	25 3/4	26	1 1/8 OD
		2000	81,700	127,800	.19			
		2200	85,600	134,100	.22			
	WPD'		1.2	1.1				

IN STOCK

*Performance data based on 65° EAT