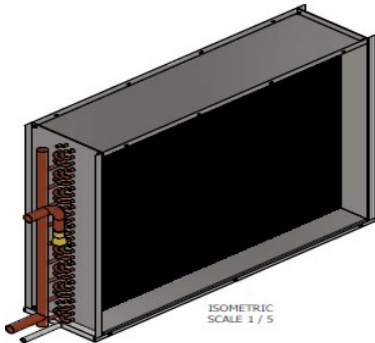
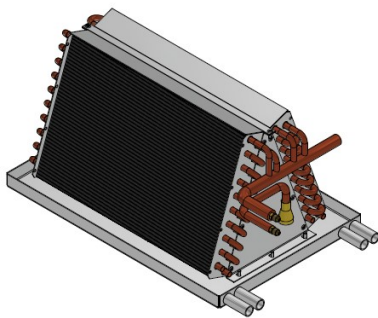
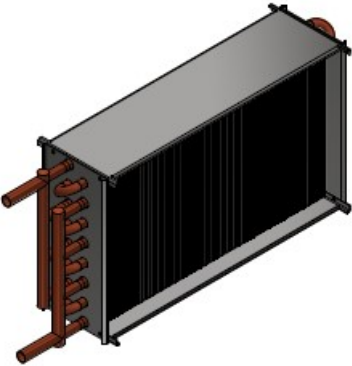
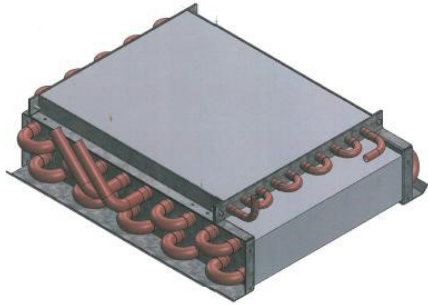


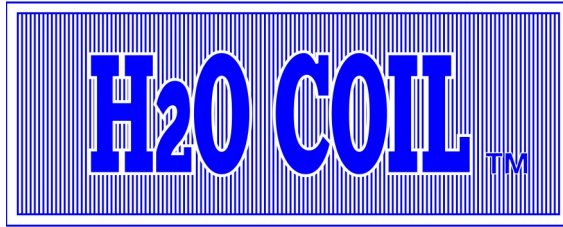
H₂O COIL™

2022 Coil Catalog



D-VAC Sales Inc.

www.H2OCOIL.com TEL: (516) 256-3131 e-mail: sales@dvachvac.com

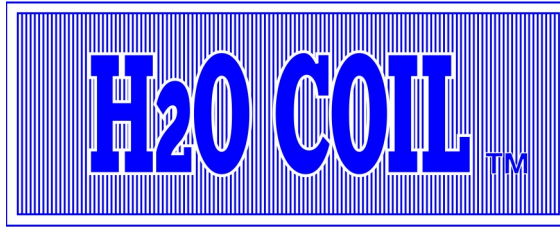


2022 Coil Catalog Index

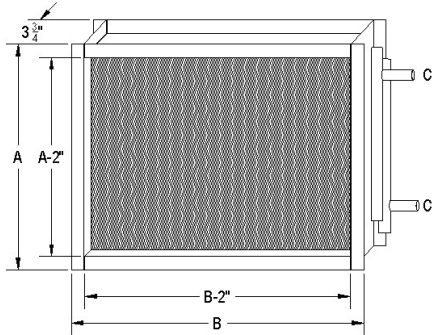
Index	Description	Page
H2O Series	Hot Water Duct Coils	3-9
HSU Series	Standard Cased Hot Water Coils	10
HPX Series	High Performance Cased Hot Water Coils	11
HZP Series	Premium Performance Cased Hot Water Coils	12
HST8 Series	Steam Duct Coils	13
HCWH Series	Horizontal Air Flow Cased Chilled / Hot Water Coils	14
HDX-U Series	Uncased A Type DX Coils	15
HDXH Series	Horizontal Air Flow Cased DX Coils	15
Build to Order	VRF Coils, Slip n Drive Coils	16
ATX-Customs	Custom Built Coil Worksheet	16

D-VAC Sales Inc.

www.H2OCOIL.com TEL: (516) 256-3131 e-mail: sales@dvachvac.com



H2O Series - 1 Row Hot Water Duct Coils



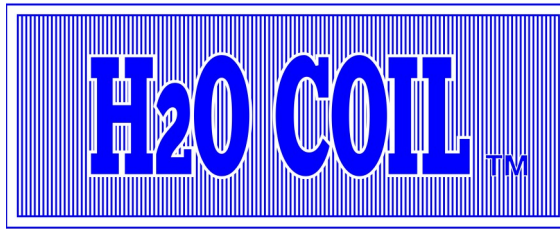
- Built to ARI 410 Certification
- Galvanized Steel 16 Ga. frame
- Aluminum Fins, .006 thickness
- Copper Tubing, 1/2" w/ .017 wall
- Max 500 PSI Operating Pressure
- Max 2500 PSI Ultimate Pressure
- BTU outputs from 10,000 to 111,000
- Horizontal/Vertical Installation
- Full one year warranty
- Call for other performance criteria ratings

Part Number	GPM	CFM	140 EWT	180 EWT	APD	A	B	C
H2O-1-1212	4	400	10,700	16,810	.06	14.5	14	7/8 OD
		600	13,000	20,540	.12			
		800	14,680	23,290	.19			
	WPD		.54	.52				
H2O-1-1218	4	800	17,940	28,280	.10	14.5	20	7/8 OD
		1000	19,750	31,210	.14			
		1200	21,210	33,610	.19			
	WPD		.62	.59				
H2O-1-1224	4	1200	24,420	38,500	.12	14.5	26	7/8 OD
		1400	25,950	40,990	.15			
		1600	27,260	43,130	.19			
			.70	.66				
H2O-1-1515	5	800	30,700	19,630	.10	17	17	7/8 OD
		1000	34,230	21,840	.14			
		1200	37,190	23,680	.19			
	WPD		1.72	1.62				
H2O-1-1520	5	1200	26,990	42,230	.12	17	22	7/8 OD
		1400	28,910	45,300	.15			
		1600	30,580	47,980	.19			
	WPD		1.99	1.87				
H2O-1-1524	5	1600	33,200	51,970	.14	17	26	7/8 OD
		1800	34,870	54,540	.17			
		2000	36,350	57,020	.20			
	WPD		2.2	2.06				

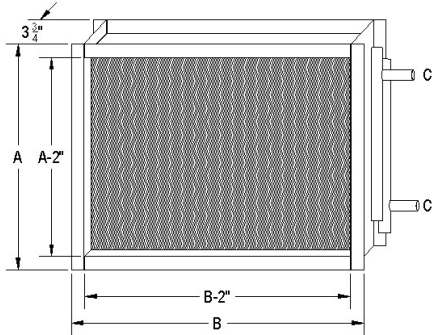
In STOCK

D-VAC Sales Inc.

www.H2OCOIL.com TEL: (516) 256-3131 e-mail: sales@dvachvac.com



H2O Series - 1 Row Hot Water Duct Coils



- Built to ARI 410 Certification
- Galvanized Steel 16 Ga. frame
- Aluminum Fins, .006 thickness
- Copper Tubing, 1/2" w/ .017 wall
- Max 500 PSI Operating Pressure
- Max 2500 PSI Ultimate Pressure
- BTU outputs from 10,000 to 111,000
- Horizontal/Vertical Installation
- Full one year warranty
- Call for other performance criteria ratings

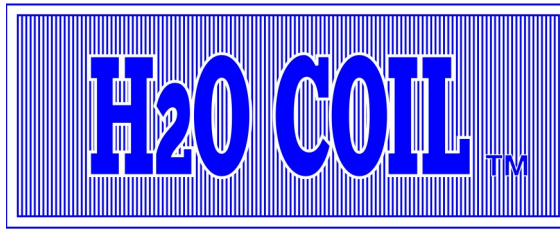
Part Number	GPM	CFM	140 EWT	180 EWT	APD	A	B	C
H2O-1-1718	6	1200	26,840	42,200	.11	19.5	20	7/8 OD
		1400	28,720	45,250	.14			
		1600	30,360	47,910	.18			
	WPD		1.15	1.1				
H2O-1-1724	6	1800	36,540	57,490	.13	19.5	26	7/8 OD
		2000	38,130	60,070	.16			
		2200	39,570	62,390	.19			
	WPD		1.27	1.21				
H2O-1-1730	6	2400	77,340	103,690	.15	19.5	32	7/8 OD
		2600	79,740	106,990	.17			
		2800	82,120	110,360	.19			
	WPD		1.39	1.33				
H2O-1-2024	8	2000	42,680	67,040	.13	22	26	7/8 OD
		2200	44,460	69,910	.15			
		2400	46,090	72,540	.17			
	WPD		1.83	1.76				
H2O-1-2030	8	2800	54,430	85,520	.15	22	32	1 1/8 OD
		3000	55,930	87,940	.17			
		3200	57,930	90,200	.19			
	WPD		1.31	1.24				
H2O-1-2036	8	3200	62,300	97,760	.14	22	38	1 1/8 OD
		3600	69,390	102,470	.17			
		4000	68,280	107,470	.20			
	WPD		1.45	1.37				



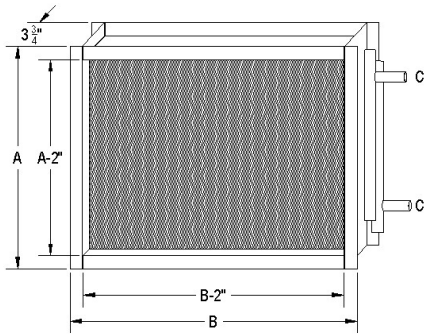
Performance data based on 65° EAT,

D-VAC Sales Inc.

www.H2OCOIL.com
 TEL: (516) 256-3131
 e-mail: sales@dvachvac.com



H2O Series - 2 Row Hot Water Duct Coils - New 7.5' & 10' FH



- Built to ARI 410 Certification
- Galvanized Steel 16 Ga. frame
- Aluminum Fins, .0045 thickness
- Copper Tubing, 1/2" w/ .017 wall
- Max 500 PSI Operating Pressure
- Max 2500 PSI Ultimate Pressure
- BTU outputs from 10,000 to 233,000
- Horizontal/Vertical Installation
- Full one year warranty
- Call for other performance criteria ratings

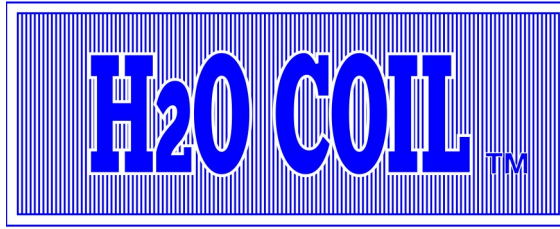
Part Number	GPM	CFM	140 EWT	180 EWT	APD	A	B	C
H2O-2-0712	6	300	11,300	17,600	.12	10	14	7/8 OD
		400	13,300	20,600	.18			
		500	14,900	23,200	.26			
	WPD'		2.9	2.6				
H2O-2-0718	6	500	17,800	27,600	.14	10	20	7/8 OD
		600	19,700	30,500	.18			
		700	21,300	33,100	.23			
	WPD'		2.9	2.8				
H2O-2-0724	6	700	24,100	37,400	.15	10	26	7/8 OD
		800	25,900	40,100	.18			
		900	27,500	42,700	.22			
	WPD'		3.1	3.0				
H2O-2-1012	7.2	400	15,000	23,200	.12	12	14	7/8 OD
		500	16,900	26,300	.17			
		600	18,600	29,000	.22			
	WPD'		2.7	2.6				
H2O-2-1018	7.2	700	24,100	37,500	.15	12	20	7/8 OD
		800	25,900	40,200	.18			
		900	27,600	42,800	.22			
	WPD'		2.9	2.8				
H2O-2-1024	7.2	1000	32,900	51,100	.17	12	24	7/8 OD
		1100	34,600	53,700	.19			
		1200	36,100	56,100	.22			
	WPD'		3.1	3.0				

Performance data based on 65° EAT,

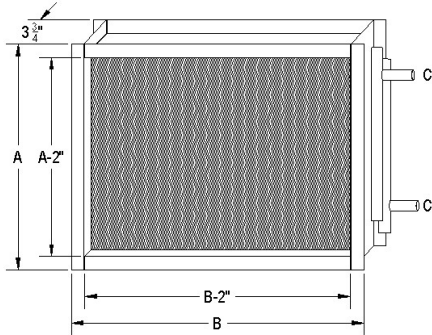
In STOCK

D-VAC Sales Inc.

www.H2OCOIL.com TEL: (516) 256-3131 e-mail: sales@dvachvac.com



H2O Series - 2 Row Hot Water Duct Coils



- Built to ARI 410 Certification
- Galvanized Steel 16 Ga. frame
- Aluminum Fins, .0045 thickness
- Copper Tubing, 1/2" w/ .017 wall
- Max 500 PSI Operating Pressure
- Max 2500 PSI Ultimate Pressure
- BTU outputs from 10,000 to 233,000
- Horizontal/Vertical Installation
- Full one year warranty
- Call for other performance criteria ratings

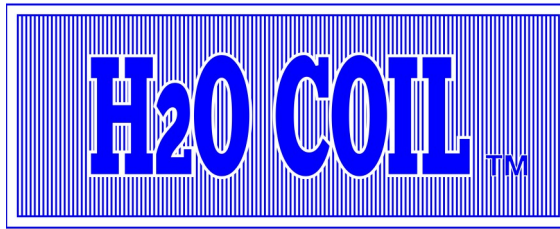
Part Number	GPM	CFM	140 EWT	180 EWT	APD	A	B	C
H2O-2-1215	4	400	16,164	25,611	0.07	14.5	17	7/8 OD
		600	20,593	32,038	0.14			
		800	23,990	37,442	0.23			
	WPD'		1.69	1.58				
H2o-2-1218	4	600	21,896	34,016	0.1	14.5	20	7/8 OD
		800	25,669	39,970	0.17			
		1000	28,718	44,805	0.25			
	WPD'		1.87	1.74				
H2O-2-1224	4	800	28,303	43,927	0.1	14.5	26	7/8 OD
		1000	31,874	49,562	0.15			
		1200	34,856	54,281	0.21			
	WPD'		2.21	2.06				
H2O-2-1520	6	1000	33,843	52,612	0.15	17	22	7/8 OD
		1200	37,317	58,103	0.21			
		1400	40,327	62,879	0.27			
	WPD'		2.48	2.33				
H2O-2-1524	6	1200	39,816	61,866	0.15	17	26	7/8 OD
		1400	43,155	67,145	0.2			
		1600	46,098	71,796	0.25			
	WPD'		2.73	2.56				
H2O-2-1530	6	1400	46,590	72,317	0.14	17	32	7/8 OD
		1600	49,919	77,557	0.17			
		1800	52,882	82,228	0.21			
	WPD'		3.11	2.91				



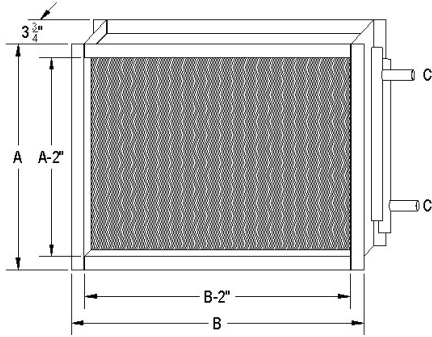
Performance data based on 65° EAT,

D-VAC Sales Inc.

www.H2OCOIL.com
 TEL: (516) 256-3131
 e-mail: sales@dvachvac.com



H2O Series - 2 Row Hot Water Duct Coils



- Built to ARI 410 Certification
- Galvanized Steel 16 Ga. frame
- Aluminum Fins, .0045 thickness
- Copper Tubing, 1/2" w/ .017 wall
- Max 500 PSI Operating Pressure
- Max 2500 PSI Ultimate Pressure
- BTU outputs from 10,000 to 233,000
- Horizontal/Vertical Installation
- Full one year warranty
- Call for other performance criteria ratings

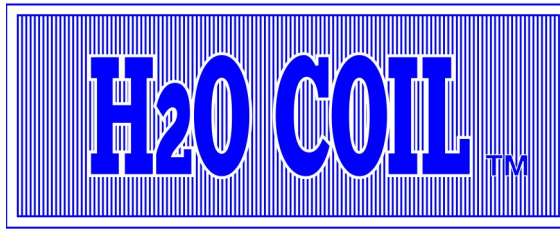
Part Number	GPM	CFM	140 EWT	180 EWT	APD	A	B	C
H2O-2-1718	7	1000	34,113	53,172	0.14	19.5	20	7/8 OD
		1200	37,635	58,769	0.19			
		1400	40,684	63,642	0.25			
	WPD'		1.68	1.6				
H2O-2-1724	7	1400	45,374	70,715	0.15	19.5	26	7/8 OD
		1600	48,578	75,801	0.19			
		1800	51,435	80,346	0.23			
	WPD'		1.36	1.27				
H2O-2-1730	7	1800	55,854	87,014	0.16	19.5	32	7/8 OD
		2000	58,788	91,656	0.19			
		2200	61,451	95,882	0.23			
	WPD'		1.55	1.45				
H2O-2-2020	8	1400	37,664	60,795	0.17	22	22	7/8 OD
		1600	39,835	64,510	0.21			
		1800	41,727	67,772	0.25			
	WPD'		1.92	1.8				
H2O-2-2025	8	1600	51,772	80,799	0.14	22	27	7/8 OD
		1800	54,957	85,875	0.17			
		2000	57,842	90,478	0.21			
	WPD'		1.78	1.71				
H2O-2-2030	8	2000	61,934	96,635	0.15	22	32	1 1/8 OD
		2200	64,848	101,286	0.18			
		2400	67,521	105,552	0.21			
	WPD'		1.20	1.13				

Performance data based on 65° EAT,

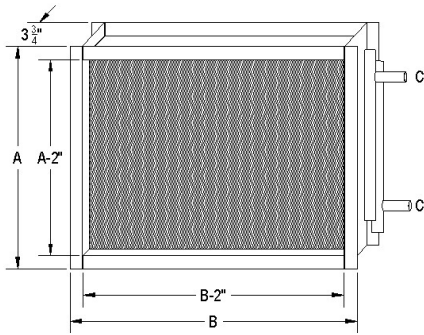


D-VAC Sales Inc.

www.H2OCOIL.com TEL: (516) 256-3131 e-mail: sales@dvachvac.com



H2O Series - 2 & 3 Row Hot Water Duct Coils



- Built to ARI 410 Certification
- Galvanized Steel 16 Ga. frame
- Aluminum Fins, .0045 thickness
- Copper Tubing, 1/2" w/ .017 wall
- Max 500 PSI Operating Pressure
- Max 2500 PSI Ultimate Pressure
- BTU outputs from 10,000 to 233,000
- Horizontal/Vertical Installation
- Full one year warranty
- Call for other performance criteria ratings

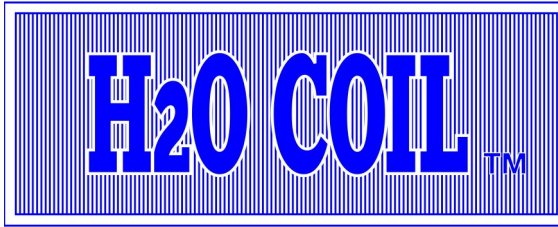
Part Number	GPM	CFM	140 EWT	180 EWT	APD	A	B	C
H2O-2-2324	10	2000	59,830	93,981	.17	25.75	26	1 1/8 OD
		2200	62,609	98,459	.20			
		2400	65,147	102,560	.23			
	WPD'		0.87'	0.84'				
H2O-2-2336	15	3000	94,560	147,626	.17	25.75	38	1 3/8 OD
		3300	99,212	155,037	.20			
		3600	103,496	161,869	.23			
	WPD'		1.32'	1.25'				
H2O-2-2348	20	4000	136,297	212,165	0.17	25.75	50	1 3/8 OD
		4400	143,409	223,426	0.2			
		4800	149,980	233,848	0.23			
	WPD'		2.57'	2.44'				
H2O-3-1520	6	600	29,953	46,406	.10	17	22	7/8 OD
		800	36,197	56,220	.16			
		1000	41,398	64,442	.23			
	WPD'		1.52	1.44				
H2O-3-2020	7	1000	45,259	70,329	.14	22	22	7/8 OD
		1200	50,488	78,618	.19			
		1400	55,053	85,860	.25			
	WPD'		1.55	1.48				
H2O-3-2025	8	1400	60,688	94,261	.17	22	27	7/8 OD
		1600	65,525	101,961	.21			
		1800	69,943	108,900	.26			
	WPD'		2.15	2.05				

Performance data based on 65° EAT,

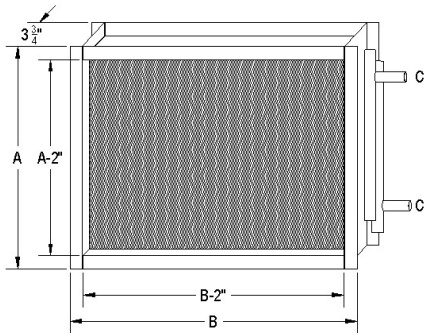


D-VAC Sales Inc.

www.H2OCOIL.com TEL: (516) 256-3131 e-mail: sales@dvachvac.com



H2O Series - New 2 & 3 Row Hot Water Duct Coils



- Built to ARI 410 Certification
- Galvanized Steel 16 Ga. frame
- Aluminum Fins, .0045 thickness
- Copper Tubing, 1/2" w/ .017 wall
- Max 500 PSI Operating Pressure
- Max 2500 PSI Ultimate Pressure
- BTU outputs from 10,000 to 233,000
- Horizontal/Vertical Installation
- Full one year warranty
- Call for other performance criteria ratings

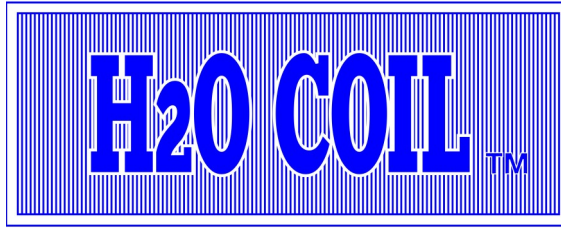
Part Number	GPM	CFM	140 EWT	180 EWT	APD	A	B	C
H2O-2-1212	4	600	19,200	30,300	.16	14.5	14	7/8 OD
		700	20,800	32,900	.20			
		800	22,300	35,200	.24			
	WDP'		2.28	2.33				
H2O-2-1515	6	900	29,100	45,000	.16	17	17	7/8 OD
		1000	30,700	47,500	.18			
		1100	32,100	49,800	.20			
	WPD'		2.6	2.2				
H2O-2-1518	6	1100	34,900	54,000	.16	17	20	7/8 OD
		1200	35,500	56,400	.18			
		1300	37,900	58,700	.20			
	WPD'		2.4	2.3				
H2O-2-1736	7	2700	75,100	117,300	.17	19.5	38	1 1/8 OD
		3000	78,500	122,600	.20			
		3300	81,500	127,400	.23			
	WPD'		1.1	1.0				
H2O-3-2030	8	2000	84,400	131,100	.17	22	32	1 1/8 OD
		2200	88,500	137,600	.20			
		2400	92,300	143,700	.24			
	WPD'		1.4	1.3				
H2O-3-2324	10	1800	77,400	120,900	.17	25 3/4	26	1 1/8?
		2000	81,700	127,800	.19			
		2200	85,600	134,100	.22			
	WPD'		1.2	1.1				

Performance data based on 65° EAT,



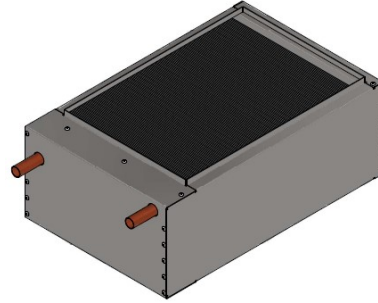
D-VAC Sales Inc.

www.H2OCOIL.com TEL: (516) 256-3131 e-mail: sales@dvachvac.com



New HSU Series - Cased Hot Water Coils

- Built to ARI 410 Certification
- Galvanized Embossed, 18 Ga. frame
- Aluminum Fins, .005 Thickness
- Copper Tubing, 3/8" w/ .012 wall
- **8" Height**
- 7/8 OD Connections
- **BTU outputs from 20,000 to 120,000**
- Horizontal/Vertical Installation
- **Two year warranty**
- Call for other performance criteria ratings



Dimensional Data

H2O COIL	A	B	C	D	E	F	
HSU-2-1425	14-1/4"	13 1/4	8"	22"	18"	1"	3"
HSU-2-1750	17-1/2"	16-1/2	8"	22"	18"	1"	3"
HSU-2-1850	18-1/2"	17-1/2	8"	21"	17	1"	3"
HSU-2-1975	19-3/4"	18-3/4	8"	22"	18	1"	3"
HSU-2-2125	21-1/4"	20-1/4"	8"	22"	18"	1"	3"
HSU-2-2225	22-1/4"	21-1/4	8"	22"	18	1"	3"
HSU-2-2350	23-1/2"	22 1/2"	8"	21"	17	1"	3"
HSU-2-2450	24-1/2"	23-1/2"	8"	22"	18"	1"	3"
HSU-2-2650	26-1/2"	25-1/2	8"	21"	17	1"	3"

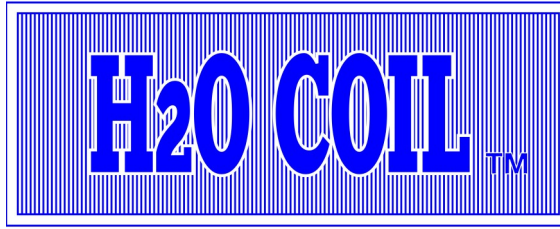
H2O COIL	CFM	APD"	BTU@180EWT	WPD'
HSU-2-1425	800	.14	50,230	4.6
HSU-2-1750	1200	.19	65,917	2.7
HSU-2-1850	1200	.19	66,511	3.4
HSU-2-1975	1400	.21	75,037	3.5
HSU-2-2125	1600	.22	82,470	3.2
HSU-2-2250	1800	.24	88,513	3.3
HSU-2-2350	1600	.21	84,588	4.2
HSU-2-2450	2000	.25	96,239	3.6
HSU-2-2650	2000	.24	97,259	3.8

In STOCK
Feb 2022

All Coils Ratings based on 55 degree EAT, 7 GPM
EWT Correction Factors: .835 @ 160, .670 @140, .507 @ 120

D-VAC Sales Inc.

www.H2OCOIL.com TEL: (516) 256-3131 e-mail: sales@dvachvac.com



HPX Series - High Performance Cased Hot Water Coils



- Built to ARI 410 Certification
- Galvanized Steel 18 Ga. frame
- Aluminum Fins, .0055 Thickness
- Copper Tubing, 3/8" w/ .012 wall
- BTU outputs from 40,000 to 160,000
- Horizontal/Vertical Installation
- Full one year warranty
- Call for other performance criteria ratings

Dimensional Data

H2O #	Width"	Height"	Depth"	Supply"	Connection"
HPX-2-1425	14 1/4	10	22	12 1/4 x 19	7/8 OD
HPX-2-1750	17 1/2	10	22	15 1/2 x 19	7/8 OD
HPX-2-1850	18 1/2	10	21	16 1/2 x 18	7/8 OD
HPX-2-1975	19 3/4	10	22	17 3/4 x 19	7/8 OD
HPX-2-2125	21 1/4	10	22	19 1/4 x 19	7/8 OD
HPX-2-2250	22 1/2	10	22	20 1/2 x 19	7/8 OD
HPX-2-2350	23 1/2	10	21	21 1/2 x 18	7/8 OD
HPX-2-2450	24 1/2	10	22	22 1/2 x 19	7/8 OD
HPX-2-2650	26 1/2	10	21	24 1/2 x 18	7/8 OD

Performance Data

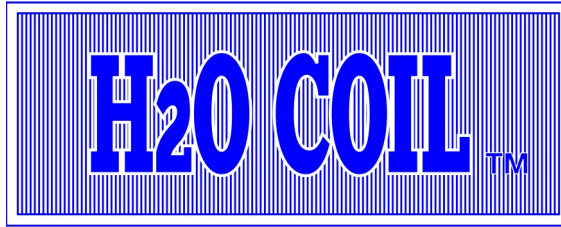
H2O #	CFM	APD"	GPM	WPD'	BTU 180 EWT
HPX-2-1425	800	.10	6	3.2	61,400
HPX-2-1750	1200	.15	6	2.4	81,800
HPX-2-1850	1200	.16	8	2.9	83,300
HPX-2-1975	1400	.20	6	2.4	88,600
HPX-2-2125	1600	.21	7	3.2	100,800
HPX-2-2250	1800	.23	7	2.4	109,000
HPX-2-2350-T	1600	.19	8	4	105,100
HPX-2-2450	2000	.24	7	2.4	118,000
HPX-2-2650-T	2000	.23	8	3.7	121,500



All Coils Ratings based on 55 degree EAT
 EWT Correction Factors: .835 @ 160, .670 @140, .507 @ 120

D-VAC Sales Inc.

www.H2OCOIL.com TEL: (516) 256-3131 e-mail: sales@dvachvac.com



New HZP Series - Premium Performance Cased Hot Water Coils

- Built to ARI 410 Certification
- Galvanized Embossed, 18 Ga. frame
- Aluminum Fins, .005 Thickness
- Copper Tubing, 3/8" w/ .012 wall
- **8" Height**
- 7/8 OD Connections
- **BTU outputs from 35,000 to 200,000**
- Horizontal/Vertical Installation
- **Two year warranty**
- Call for other performance criteria ratings



Dimensional Data

H2O COIL	A	B	C	D	E	F	
HZP-4-1425	14-1/4"	13 1/4	8"	22"	18"	1"	3"
HZP-4-1750	17-1/2"	16-1/2	8"	22"	18"	1"	3"
HZP-5-1850	18-1/2"	17-1/2	8"	21"	17	1"	3"
HZP-5-1975	19-3/4"	18-3/4	8"	22"	18	1"	3"
HZP-6-2125	21-1/4"	20-1/4"	8"	22"	18"	1"	3"
HZP-6-2225	22-1/4"	21-1/4	8"	22"	18	1"	3"
HZP-7-2350	23-1/2"	22 1/2"	8"	21"	17	1"	3"
HZP-7-2450	24-1/2"	23-1/2"	8"	22"	18"	1"	3"
HZP-8-2650	26-1/2"	25-1/2	8"	21"	17	1"	3"

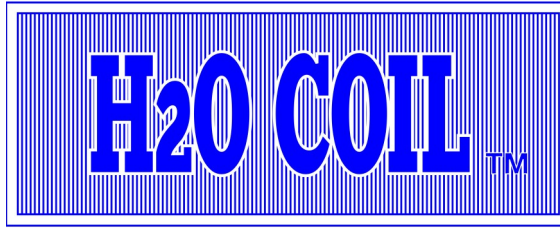
H2O COIL	CFM	APD"	BTU@180EWT	WPD'
HZP-4-1425	800	.07	67,390	2.9
HZP-4-1750	1200	.13	82,871	2.9
HZP-5-1850	1200	.10	87,150	2.7
HZP-5-1975	1400	.12	95,910	2.7
HZP-6-2125	1600	.11	108,779	2.8
HZP-6-2225	2000	.15	118,430	2.8
HZP-7-2350	1600	.10	110,820	2.9
HZP-7-2450	2000	.12	124,606	2.9
HZP-8-2650	2000	.11	126,800	3.1

Lead Time
6 Weeks

All Coils Ratings based on 55 degree EAT, 8 GPM
EWT Correction Factors: .835 @ 160, .670 @140, .507 @ 120

D-VAC Sales Inc.

www.H2OCOIL.com TEL: (516) 256-3131 e-mail: sales@dvachvac.com



HST8 Series - 1 Row Steam Duct Coils

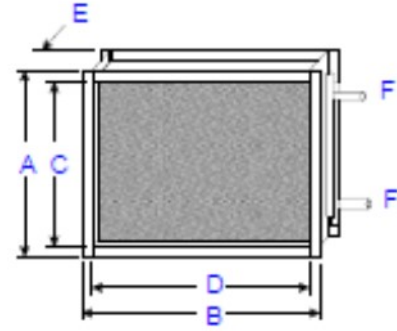
Galvanized Steel 16 Ga. Frame

Aluminum Fins, .006 thickness

Copper Tubing, 5/8" w/ .020wall

Low Pressure Steam 2 to 20 lbs

BTU outputs from 24,000 to 299,000



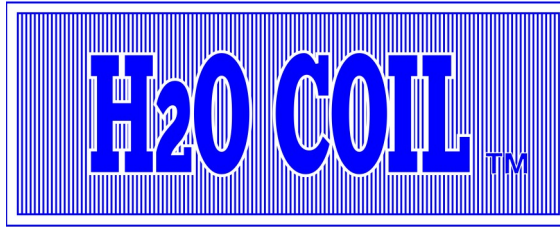
Part Number	CFM	BTU @ 5 lbs	APD	A	B	C	D	E	F
HST8-1-0912	400	24,800	.15	12	14	9	12	3 3/4	7/8 OD
HST8-1-0918	600	37,100	.15	12	20	9	18	3 3/4	7/8 OD
HST8-1-0924	800	49,300	.19	12	26	9	24	3 3/4	7/8 OD
HST8-1-1218	800	49,400	.15	14	20	12	18	3 3/4	7/8 OD
HST8-1-1224	1200	70,100	.18	14	26	12	24	3 3/4	7/8 OD
HST8-1-1230	1600	90,500	.19	14	32	12	30	3 3/4	7/8 OD
HST8-1-1518	1200	68,200	.19	17	20	15	18	3 3/4	7/8 OD
HST8-1-1524	1600	90,700	.19	17	26	15	24	3 3/4	7/8 OD
HST8-1-1530	2000	112,900	.19	17	32	15	30	3 3/4	7/8 OD
HST8-1-1824	1600	98,700	.15	20	26	18	24	3 3/4	1 1/8 OD
HST8-1-1830	2000	123,000	.15	20	32	18	30	3 3/4	1 1/8 OD
HST8-1-1836	2400	147,200	.15	20	38	18	36	3 3/4	1 1/8 OD
HST8-1-2124	2200	125,600	.19	24	26	21	24	3 3/4	1 1/8 OD
HST8-1-2130	2400	145,700	.15	24	32	21	30	3 3/4	1 1/8 OD
HST8-1-2136	3000	178,200	.16	24	38	21	36	3 3/4	1 1/8 OD

Performance data based on 55° EAT,

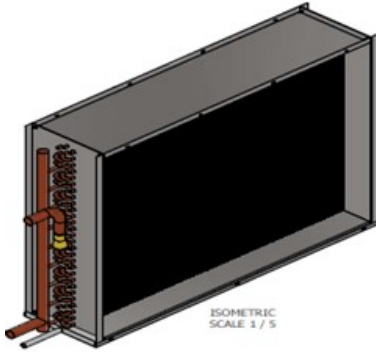


D-VAC Sales Inc.

www.H2OCOIL.com TEL: (516) 256-3131 e-mail: sales@dvachvac.com



New HCWH Series - Horizontal Cased Chilled / Hot Water Coils



Dimensional Data

MODEL	A	B	C	D	I/O	Drain
HCWH-24	22	30	20	24	7/8	1/2
HCWH-36	22	36	20	30	7/8	1/2
HCWH-48	27	42	25	36	1 1/8	1/2
HCWH-60	27	48	25	42	1 1/8	1/2
HCWH-90	34	42	32	36	1 MPT	1/2
HCWH-120	34	54	32	48	1.5 MPT	1/2

*3/4 Supply & Return Flange

- Horizontal Airflow
- Simple Installation
- Excellent Performance
- 1/2" Copper Tube .016 WT
- 11 FPI, .006 FT

- Insulated Steel Casing
- Sloped Drain Pan
- Sweat Connections
- Coil Drain & Air Vent
- 2 Year Warranty

Chilled Water Ratings

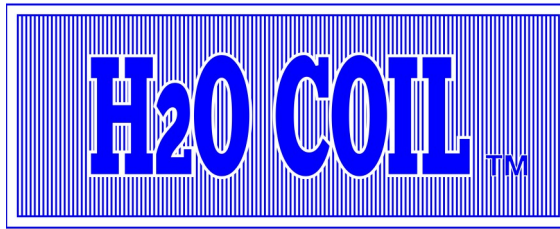
MODEL	CFM	EAT	EWB	APD	GPM	EWT	WPD	BTU Total	BTU Sensible
HCWH-24	800	80	67	.12	7	45	2.1	25,400	19,100
HCWH-36	1200	80	67	.17	9	45	3.6	37,000	27,900
HCWH-48	1600	80	67	.14	10	45	2.0	48,700	37,200
HCWH-60	2000	80	67	.15	12	45	3.0	61,600	46,600
HCWH-90	3000	80	67	.29	15	45	2.7	92,100	71,200
HCWH-120	4000	80	67	.29	17	45	3.4	121,500	94,400

Hot Water Ratings

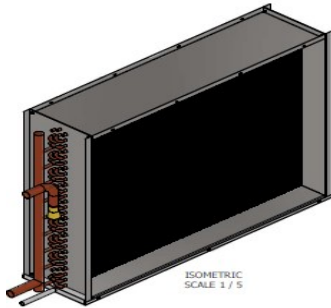
MODEL	CFM	EAT	APD	GPM	EWT	WPD	BTU Total
HCWH-24	800	60	.12	7	180	1.61	75,830
HCWH-36	1200	60	.17	9	180	2.46	109,290
HCWH-48	1600	60	.14	10	180	2.96	146,600
HCWH-60	2000	60	.15	12	180	4.02	181,370
HCWH-90	3000	60	.29	15	180	5.74	246,560
HCWH-120	4000	60	.29	17	180	7.22	324,810

D-VAC Sales Inc.

www.H2OCOIL.com TEL: (516) 256-3131 e-mail: sales@dvachvac.com



HDXH Series - Cased Horizontal DX Coils



MODEL	CFM	EAT	EWB	APD	BTU Total
HDXH-36	800	80	67	.13	29,030
HDXH-36	1200	80	67	.23	36,100
HDXH-60	1600	80	67	.19	54,820
HDXH-60	2000	80	67	.27	61,610
HDXH-90	3000	80	67	.26	91,540
HDXH-120	4000	80	67	.30	122,190

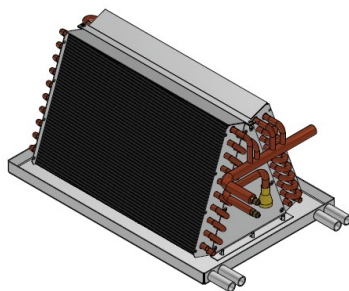
In STOCK
Mar. 2022

R410a or R22

Metal Drain Pan

MODEL	Case Height"	Case Width"	Case Depth"	S/R Height"	S/R Width"	S"	L"	Pan Drain"
HDXH-36	20	30	10	18	24	3/4	3/8	1/2"
HDXH-60	24	36	10	22	30	7/8	3/8	1/2"
HDXH-90	30	42	10	27	36	1 1/8	7/8	1/2"
HDXH-120	30	50	10	27	44	1 3/8	7/8	1/2"

HDX-U Series - Uncased Upflow DX Coils



MODEL	CFM	EAT	EWB	APD	BTU Total
HDX-2413U	800	80	67	.11	23,640
HDX-3616U	1200	80	67	.13	35,862
HDX-4820U	1600	80	67	.15	49,818
HDX-6023U	2000	80	67	.14	60,482

In STOCK
Mar. 2022

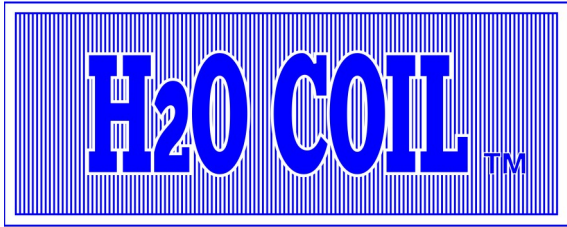
R410a or R22

Metal Drain Pan

MODEL	Height"	Width"	Depth"	S"	L"	Drain Conn.
HDX-2413U	12.5	13	19.5	3/4	3/8	1/2"
HDX-3616U	16.3	16	19.5	3/4	3/8	1/2"
HDX-4820U	20	20	19.5	7/8	3/8	1/2"
HDX-6023U	25.8	23	19.5	7/8	3/8	1/2"

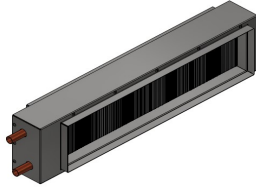
D-VAC Sales Inc.

www.H2OCOIL.com TEL: (516) 256-3131 e-mail: sales@dvachvac.com

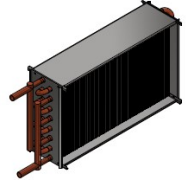


Build to Order HVR Series & H2O Coil Custom Worksheet

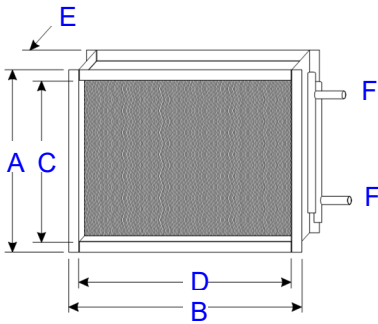
- For Compact VRF AHU
- Cased & Insulated
- Built to ARI 410 Certification
- Galvanized Steel 18 Ga. frame
- Horizontal/Vertical Installation
- Full one year warranty
- Send your VRF AHU dimensional data for a perfect fit to the supply opening



- Slip -N-Drive
- Built to ARI 410 Certification
- Galvanized Steel 18 Ga. frame
- Horizontal/Vertical Installation
- Full one year warranty
- Send your dimensional data
- Fits to most VAV Terminals



4-6 week lead times!!



Hot or Chilled Water, Steam, Condenser & DX CoilsBuilt to your specifications.

Don't lose out on jobs, big or small!

4-8 week production, (1 or 2 week production cycles are available)

Just fill out the worksheet below and [email sales@dvachvac.com](mailto:sales@dvachvac.com)

DUCT COIL PERFORMANCE DATA

Item	QTY	ROWS	BTU's	CFM	GPM	EWT	EAT
1							
2							
3							

DUCT COIL DIMENSIONAL DATA

Item	A	B	C	D	E	F
1						
2						
3						

NOTES

Customer Name	Job Name	Tel. #	Fax #	Contact

D-VAC Sales Inc.

www.H2OCOIL.com TEL: (516) 256-3131 e-mail: sales@dvachvac.com