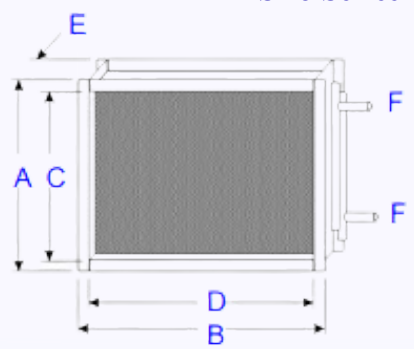




HST8 Series 1 Row Steam Duct Coils



- Galvanized Steel 16 Ga. Frame
- Aluminum Fins, .006 thickness
- Copper Tubing, 5/8" w/ .020wall
- Low Pressure Steam 2 to 20 lbs
- BTU outputs from 24,000 to 245,000
- Horizontal/Vertical Installation
- Full One Year Warranty

Part Number	CFM	BTU @ 5 lbs	APD	A	B	C	D	E	F
HST8-1-0912	400	24,800	.15	11.5	14	9.5	12	3 3/4	7/8 OD
HST8-1-0918	600	37,100	.15	11.5	20	9.5	18	3 3/4	7/8 OD
HST8-1-0924	800	49,300	.19	11.5	26	9.5	24	3 3/4	7/8 OD
HST8-1-1218	800	49,400	.15	14	20	12	18	3 3/4	7/8 OD
HST8-1-1224	1200	70,100	.18	14	26	12	24	3 3/4	7/8 OD
HST8-1-1230	1600	90,500	.19	14	32	12	30	3 3/4	7/8 OD
HST8-1-1518	1200	68,200	.19	17	20	15	18	3 3/4	7/8 OD
HST8-1-1524	1600	90,700	.19	17	26	15	24	3 3/4	7/8 OD
HST8-1-1530	2000	112,900	.19	17	32	15	30	3 3/4	7/8 OD
HST8-1-1824	1600	98,700	.15	20	26	18	24	3 3/4	1 1/8 OD
HST8-1-1830	2000	123,000	.15	20	32	18	30	3 3/4	1 1/8 OD
HST8-1-1836	2400	147,200	.15	20	38	18	36	3 3/4	1 1/8 OD
HST8-1-2124	2200	125,600	.19	24	26	21	24	3 3/4	1 1/8 OD
HST8-1-2130	2400	145,700	.15	24	32	21	30	3 3/4	1 1/8 OD
HST8-1-2136	3000	178,200	.16	24	38	21	36	3 3/4	1 1/8 OD

IN STOCK

Performance data based on 55° EAT,