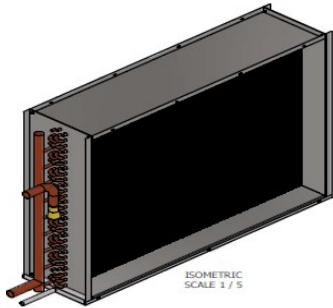


## HDXH Series - Cased Horizontal DX Coils



| MODEL    | CFM  | EAT | EWB | APD | BTU Total |
|----------|------|-----|-----|-----|-----------|
| HDXH-36  | 800  | 80  | 67  | .13 | 29,030    |
| HDXH-36  | 1200 | 80  | 67  | .23 | 36,100    |
| HDXH-60  | 1600 | 80  | 67  | .19 | 54,820    |
| HDXH-60  | 2000 | 80  | 67  | .27 | 61,610    |
| HDXH-90  | 3000 | 80  | 67  | .26 | 91,540    |
| HDXH-120 | 4000 | 80  | 67  | .30 | 122,190   |

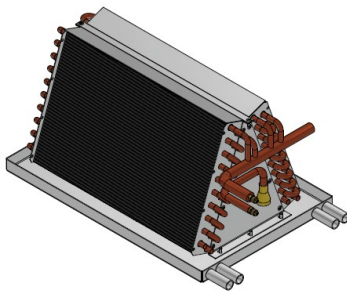
**In STOCK**  
**Mar. 2022**

R410a or R22

Metal Drain Pan

| MODEL    | Case Height" | Case Width" | Case Depth" | S/R Height" | S/R Width" | S"    | L"  | Pan Drain" |
|----------|--------------|-------------|-------------|-------------|------------|-------|-----|------------|
| HDXH-36  | 20           | 30          | 10          | 18          | 24         | 3/4   | 3/8 | 1/2"       |
| HDXH-60  | 24           | 36          | 10          | 22          | 30         | 7/8   | 3/8 | 1/2"       |
| HDXH-90  | 30           | 42          | 10          | 27          | 36         | 1 1/8 | 7/8 | 1/2"       |
| HDXH-120 | 30           | 50          | 10          | 27          | 44         | 1 3/8 | 7/8 | 1/2"       |

## HDX-U Series - Uncased Upflow DX Coils



| MODEL     | CFM  | EAT | EWB | APD | BTU Total |
|-----------|------|-----|-----|-----|-----------|
| HDX-2413U | 800  | 80  | 67  | .11 | 23,640    |
| HDX-3616U | 1200 | 80  | 67  | .13 | 35,862    |
| HDX-4820U | 1600 | 80  | 67  | .15 | 49,818    |
| HDX-6023U | 2000 | 80  | 67  | .14 | 60,482    |

**In STOCK**  
**Mar. 2022**

R410a or R22

Metal Drain Pan

| MODEL     | Height" | Width" | Depth" | S"  | L"  | Drain Conn. |
|-----------|---------|--------|--------|-----|-----|-------------|
| HDX-2413U | 12.5    | 13     | 19.5   | 3/4 | 3/8 | 1/2"        |
| HDX-3616U | 16.3    | 16     | 19.5   | 3/4 | 3/8 | 1/2"        |
| HDX-4820U | 20      | 20     | 19.5   | 7/8 | 3/8 | 1/2"        |
| HDX-6023U | 25.8    | 23     | 19.5   | 7/8 | 3/8 | 1/2"        |

**D-VAC Sales Inc.**

[www.dvachvac.com](http://www.dvachvac.com) TEL: (516) 256-3131 e-mail: [sales@dvachvac.com](mailto:sales@dvachvac.com)