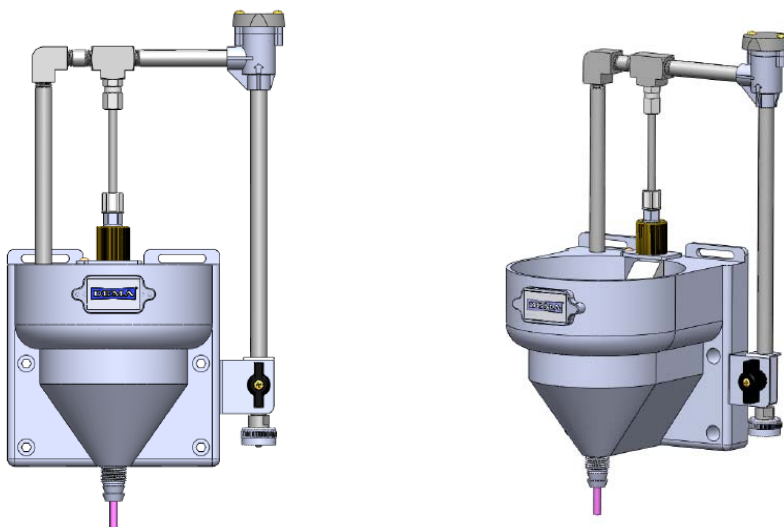


# DEMA 5800V.BV MANUAL SOLID BOWL FEEDER



## Overview

---

The DEMA Manual Solid Bowl Feeder is for use with a solid product being put into a reservoir. The Bowl features a bypass line to allow the proper dilution of product from the bowl to put into the three compartment sink or other container. It is operated by the ball valve on the inlet which controls the flow to the product and the bypass line.

## Warnings

---



All installations must conform to local plumbing codes and use approved backflow prevention devices. A pressure indicating tee is to be installed with existing faucets according to local plumbing codes in the state of Wisconsin and any other state that requires the use of a pressure indicating tee.



**ALWAYS WEAR PROTECTIVE CLOTHING AND EYEWEAR WHEN WORKING WITH CHEMICAL PRODUCTS.**

# Specifications

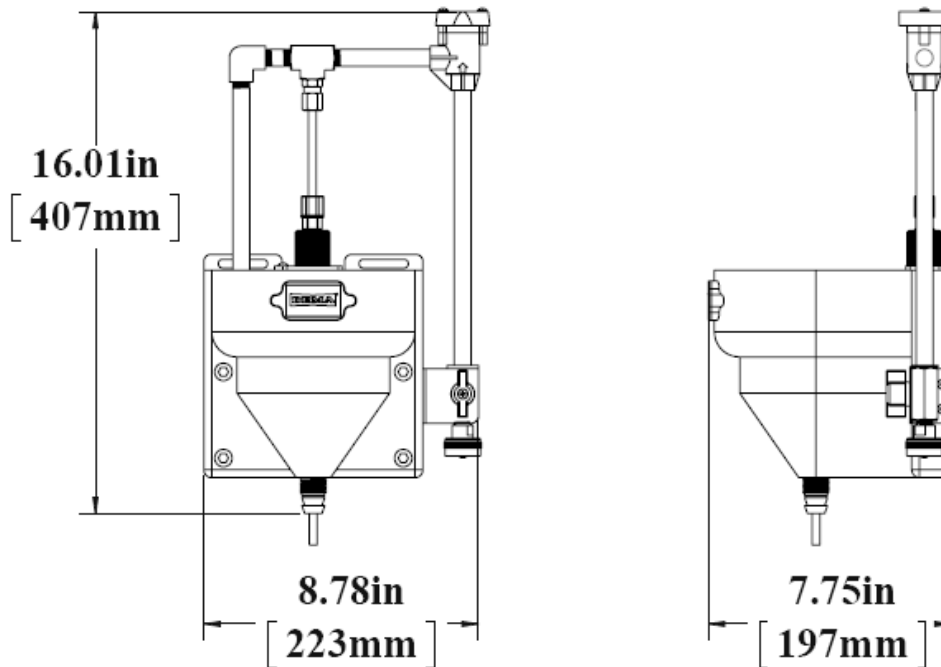
## Packing List

	5800V.BV	5800V.BV.B	5800V.BV.B.C	5800V.BV.C
Bowl	Standard, Plastic VB	Standard, Brass VB	Compression Inlet, Brass VB	Compression Inlet, Brass VB
Outlet Tubing	58.7.5	58.7.5	58.7.5	58.7.5
Screw & Anchor Kit	58.319	58.319	58.319	58.319
Inst. Sheet	I1031	I1031	I1031	I1031

## Operational Requirements

- Max./Min. Pressure 80 PSI, 30 PSI
- Max./Min. Temperature 160 DEG F, 110 DEG F

## Overall Size & Weight



# Installation and Operation

## Wall Mounting

1. Use mounting holes to pick mounting position on wall.
2. Mount the bowl on the wall using mounting hardware.

**Connection to Water Supply** – Water temperature should be kept between 120°F and 140°F.

**Water Temperature should never exceed 160°F**

1. Attach hose from water supply to inlet side of the ball valve.

## Chemical Dilution Adjustment

Chemical dilution can be adjusted using a metering screw located just above the bowl. Turning the screw clockwise decreases the amount of chemical and turning it counterclockwise increases the amount. Turn the

screw clockwise until it stops to use the chart below and the number of turns from closed to determine the amount of product needed. No noticeable adjustment will occur past four turns out. Seven full turns out will completely loosen the screw. The chart below is for reference only.

	Bypass @ 20 PSI	Bypass @ 30 PSI	Bypass @ 40 PSI	Bypass @ 50 PSI
Approx. bypass water at all settings	.93 GPM	1.19 GPM	1.38 GPM	1.51 GPM

# of Turns from Closed	Oz/min @ 20 PSI	Oz/min @ 30 PSI	Oz/min @ 40 PSI	Oz/min @ 50 PSI
1 turn	3.7	4.3	4.9	6.1
2 turns	6.1	7.4	8.6	9.2
3 turns	29.4	38.4	44.8	48.6
4 turns	62.7	75.3	92.2	99.8

**Note:** The numbers listed are only the water that passes through the spray arm. This does not include the bypass water.

## Troubleshooting

Symptom	Probable Cause	Remedy
Too much product is getting into the container/Too little product is getting into the container.	<ol style="list-style-type: none"> <li>1. Set screw not set properly</li> <li>2. Bypass clogged or not working</li> </ol>	<ol style="list-style-type: none"> <li>1. Check to make sure the set screw is in the unit and is tightened down properly using the table above.</li> <li>2. Look at the tubing to see if any clogs appear, watch the outlet tubing to be sure water is coming out of it. Remove clog if found.</li> </ol>

## Warranty

### Merchandise Returns

*No Merchandise will be Returned for Credit Without DEMA'S Written Permission. Returned Merchandise Authorization Number is Required in Advance of Return.*

### Product Warranty

DEMA products are warranted against defective material and workmanship under normal use and service for one year from the date of manufacture. This limited warranty does not apply to any products that have a normal life shorter than one year or failure and damage caused by chemicals, corrosion, physical abuse, or misapplication. Rubber and synthetic rubber parts such as "O"-rings, diaphragms, PVC tubing, and gaskets are considered expendable and are not covered under warranty. This warranty is extended only to the original buyer of DEMA products. If products are altered or repaired without prior approval of DEMA, this warranty is void.

Defective units or parts should be returned to the factory with transportation prepaid. If inspection shows them to be defective, they will be repaired or replaced without charge, F.O.B. factory. DEMA assumes no liability for damages. Return merchandise authorization number must be granted in advance of returned units for repair or replacement (See "Merchandise Returns" above).