

FEHLING...

... THE DIFFERENCE

4

FORCEPS,
CLAMPS AND CLIPS

PINZETTEN,
KLEMMEN UND CLIPS



FEHLING
INSTRUMENTS

Hanauer Landstr. 7A · 63791 Karlstein/Germany · www.fehling-instruments.de



+49(0) 61 88 - 9574.40



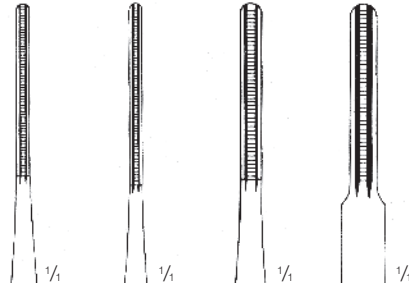
+49(0) 61 88 - 9574.45



info@fehling-instruments.de



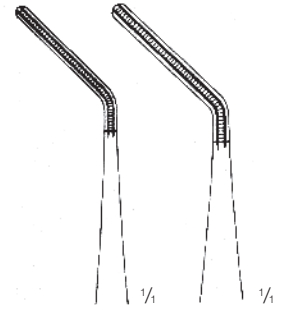
DE BAKEY



	1,5 mm	2,0 mm	2,8 mm	3,5 mm
150 mm	MBL-2	MBL-5	MBK-2	MBM-4
195 mm	MBL-3	MBL-6	MBK-3	MBM-5
240 mm	MBL-4	MBL-7	MBK-4	MBM-6
300 mm	–	–	MBL-8	MBM-7



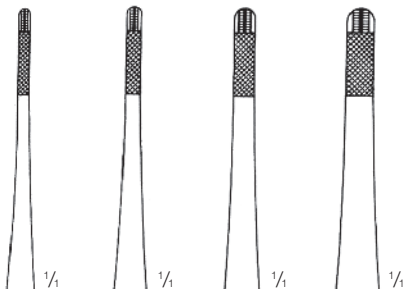
DE BAKEY



	2,0 mm	2,7 mm
150 mm	MBL-9	–
195 mm	MBM-1	–
240 mm	MBM-2	–
300 mm	–	MBM-3



TC DE BAKEY

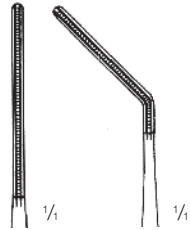


	1,5 mm	2,0 mm	2,7 mm	3,5 mm
150 mm	MEJ-2	MEJ-4	MEJ-7	–
195 mm	MDZ-1	MEJ-5	MEJ-8	MEK-1
240 mm	MEJ-3	MEJ-6	MEJ-9	MEK-2



1/2

DE BAKEY
DIETRICH



1/4

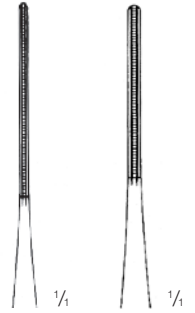
1/4

	1,5 mm	1,5 mm
150 mm	MBK-7	-
195 mm	MBK-8	MBL-1
240 mm	MBK-9	-



1/2

DE BAKEY
ULTRA LIGHT



1/4

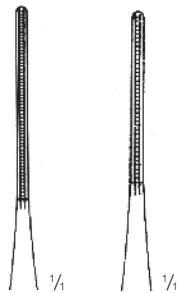
1/4

	1,0 mm	1,5 mm
150 mm	-	CDN-6
195 mm	CDK-7	-
240 mm	CDN-7	-



1/2

DIETRICH
TITANIUM / TITAN



1/4

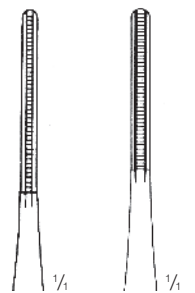
1/4

	1,5 mm	1,8 mm
150 mm	MBP-1	MED-3
195 mm	MBP-2	MED-4
240 mm	MBP-3	MED-5



1/2

DIETRICH
TITANIUM / TITAN



1/4

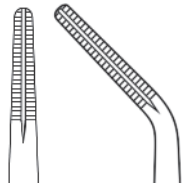
1/4

	2,0 mm	2,8 mm
150 mm	MFG-8	MBP-4
195 mm	MFG-9	MBP-5
240 mm	MFH-1	MBP-6



1/2

HEART VALVE FORCEPS
HERZKLAPPENPINZETTE

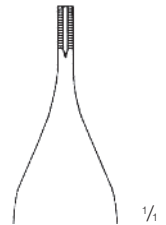


	2,5 mm	3,0 mm
200 mm	CDP-5	-
230 mm	CDP-2	CDP-7
250 mm	CDP-3	-



1/2

ADSON-BRAUN
120 mm



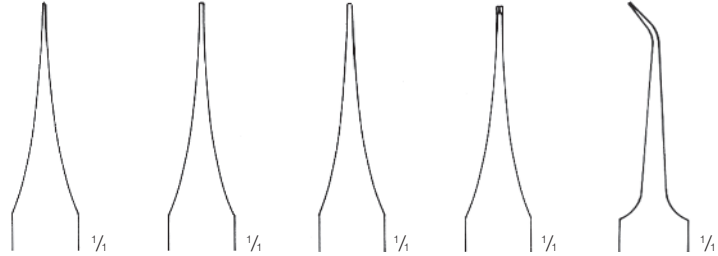
1/4

CERAMO®	COX-0
UNCOATED UNBESCHICHTET	CAK-9

JEWELLER FORCEPS
UHRMACHERPINZETTEN



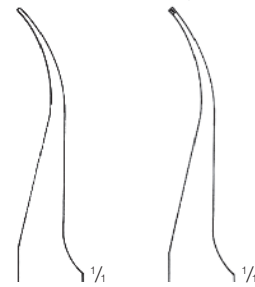
110 mm



	0,1 mm	0,2 mm	0,4 mm	1x2 TEETH/ZÄHNE	0,25 mm
CERAMO®	-	COW-7	COW-8	-	-
UNCOATED UNBESCHICHTET	CAY-7	CAY-8	CAY-9	CAZ-2	CAZ-1



115 mm



	0,2 mm	1x2 TEETH/ZÄHNE
CERAMO®	CRB-1	-
UNCOATED UNBESCHICHTET	CAY-6	CAZ-4



GERALD

CERAMO®	TCM 1,0 mm
150 mm	COK-0
180 mm	COK-1
210 mm	COK-2
230 mm	COK-3

UNCOATED UNBESCHICHTET	1,0 mm
180 mm	CAE-8
210 mm	CAF-0
230 mm	CAE-9



CUSHING
175 mm

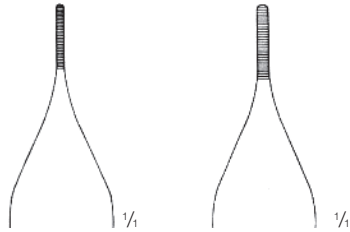
TCM
1,5 mm
CERAMO®
COW-1

1,5 mm
UNCOATED
UNBESCHICHTET
CBP-9



ADSON

1/2



	MICRO / MIKRO 0,8 mm		1,2 mm	
	120 mm	150 mm	120 mm	150 mm
CERAMO®	COZ-9	COW-6	COZ-7	COZ-8
UNCOATED UNBESCHICHTET	CAA-5	CAA-6	CAA-2	CAA-3



TC ADSON

1/2



	1,4 mm
120 mm	CAZ-6
150 mm	CAZ-7



SEMKEN

1/2



	120 mm	150 mm
CERAMO®	COP-5	COP-6
UNCOATED UNBESCHICHTET	CAG-8	CAG-9



TC POTTS-SMITH

1/2

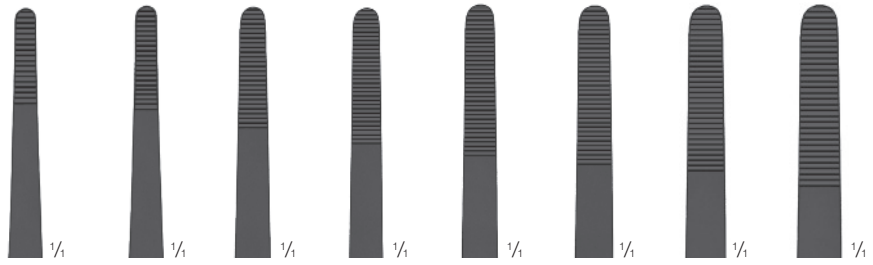


145 mm	CBA-7
180 mm	CBA-8
200 mm	CBA-9
230 mm	CBB-1
250 mm	CBB-2



1/2

STANDARD

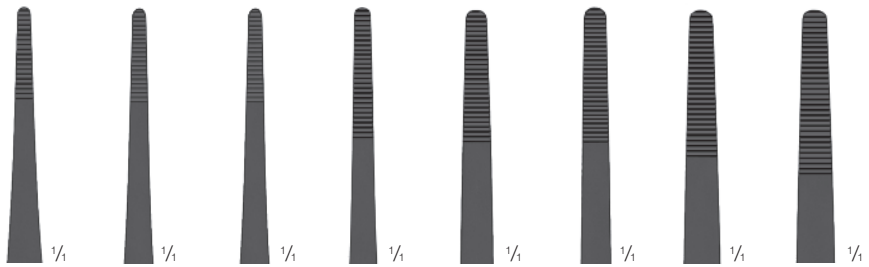


	115 mm	130 mm	145 mm	160 mm	180 mm	200 mm	250 mm	300 mm
CERAMO®	COR-1	COR-2	COR-3	COR-4	COR-5	COR-6	COR-7	COR-8
UNCOATED UNBESCHICHTET	CAA-9	CAB-1	CAB-2	CAB-3	CAB-4	CAB-5	CAB-6	CAB-7



1/2

DELICATE
SCHLANK

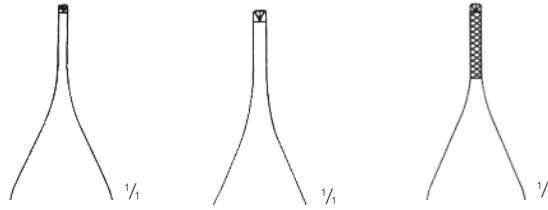


	115 mm	130 mm	145 mm	160 mm	180 mm	200 mm	250 mm	300 mm
CERAMO®	COZ-O	COZ-1	COR-9	COZ-2	COZ-3	COZ-4	COZ-5	COZ-6
UNCOATED UNBESCHICHTET	CAC-3	CAC-4	CAC-5	CAC-6	CAC-7	CAC-8	CAC-9	CAD-1



1/2

ADSON



	1x2 TEETH / ZÄHNE					
	MICRO / MIKRO 0,8 mm		1,2 mm		TC 1,8 mm	
	120 mm	150 mm	120 mm	150 mm	120 mm	150 mm
CERAMO®	COW-4	COW-5	COW-3	COW-9	-	-
UNCOATED UNBESCHICHTET	CAL-1	CAL-2	CAK-7	CAK-8	CAZ-8	CAZ-9



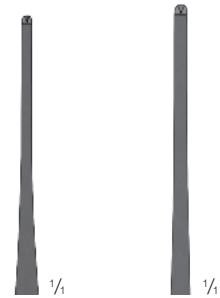
1/2

RUSSIAN PATTERN
RUSSISCHES MODELL



1/2

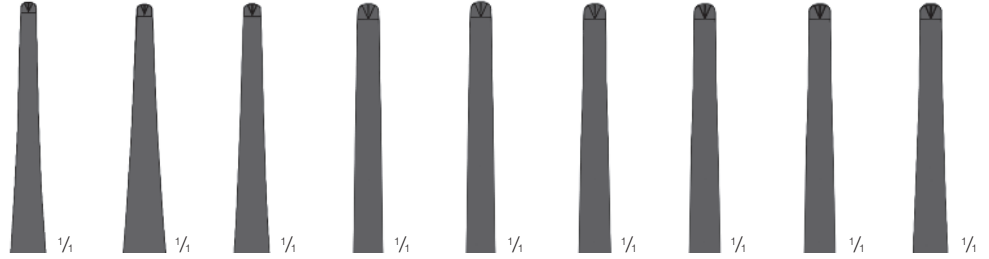
SEMKEN



	1x2 TEETH / ZÄHNE	
	125 mm	150 mm
CERAMO®	COP-8	COP-7
UNCOATED UNBESCHICHTET	CAU-9	CAV-1

	150 mm	200 mm	250 mm
CERAMO®	COW-2	-	-
UNCOATED UNBESCHICHTET	CAU-3	CAU-4	CAU-5

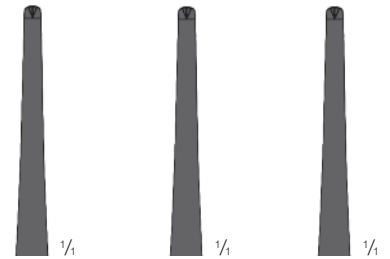
1x2 TEETH / ZÄHNE



	105 mm	115 mm	130 mm	145 mm	160 mm	180 mm	200 mm	250 mm	300 mm
CERAMO®	CZD-1	CZD-2	CZD-3	CZD-4	CZD-5	CZB-1	CZD-7	CZD-8	CZD-9
UNCOATED UNBESCHICHTET	CAL-5	CAL-6	CAL-7	CAL-8	CAL-9	CAM-1	CAM-2	CAM-4	CAM-5

STANDARD

1x2 TEETH / ZÄHNE



	145 mm	160 mm	250 mm
CERAMO®	CZB-8	CZB-9	COP-9
UNCOATED UNBESCHICHTET	CAP-9	CAR-1	CAP-8

MEDIUM

1x2 TEETH / ZÄHNE

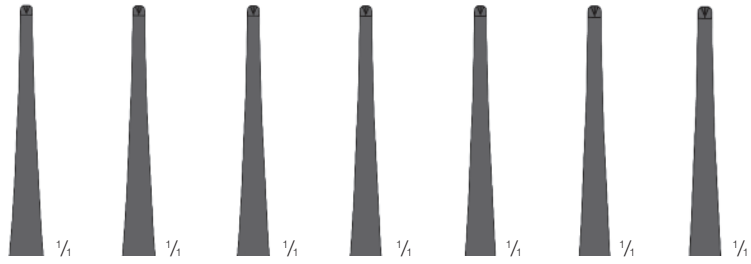
	150 mm	180 mm	210 mm	230 mm
CERAMO®	COI-1	COI-2	COI-3	COI-4
UNCOATED UNBESCHICHTET	-	CAS-8	CAS-9	CAT-1

GERALD



DELICATE
SCHLANK

1x2 TEETH / ZÄHNE



	115 mm	130 mm	145 mm	160 mm	180 mm	200 mm	250 mm
CERAMO®	CZB-4	CZB-5	CZB-3	CZB-6	CZB-7	-	-
UNCOATED UNBESCHICHTET	CAN-9	CAP-1	CAP-2	CAP-3	CAP-4	CAP-5	CAP-7



200 mm

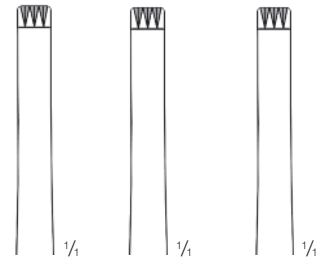
2x3 TEETH / ZÄHNE



CERAMO®	CZB-2
UNCOATED UNBESCHICHTET	CAN-2



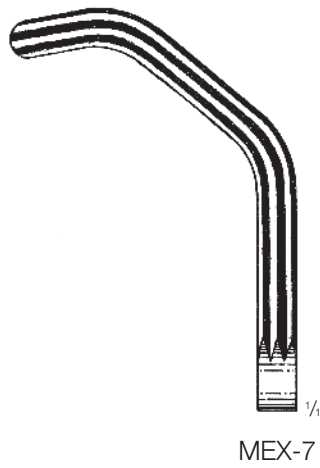
3x4 TEETH / ZÄHNE



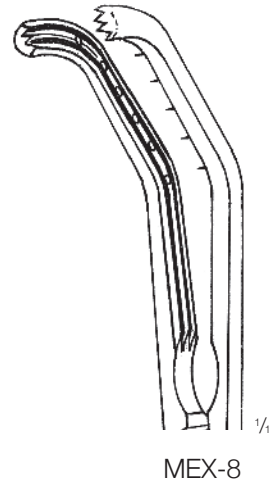
145 mm	160 mm	300 mm
CAN-5	CAN-6	CAN-7



PRICE THOMAS
BRONCHUS FORCEPS
BRONCHUSKLEMMEN
220 mm



MEX-7



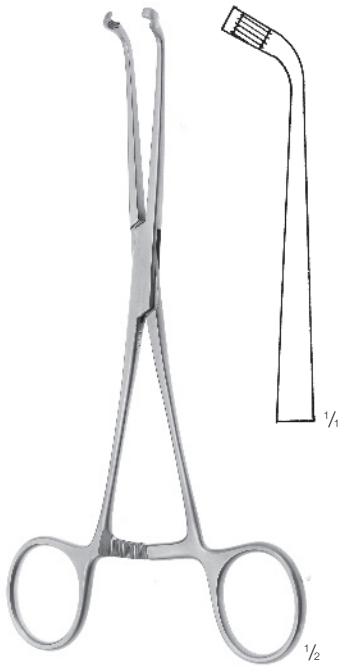
MEX-8



HACKER
LOOP FORCEPS
UMFÜHRUNGSKLEMME
250 mm
ZBZ-0





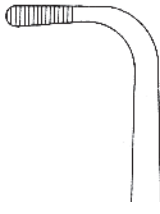
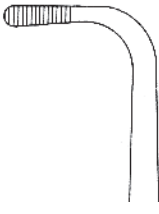
GUYON
LOOP FORCEPS
UMFÜHRUNGSKLEMME
250 mm
ZBZ-3



PRICE THOMAS
CATHETER INTRODUCING FORCEPS
KATHETEREINFÜHRZANGE
170 mm
MCP-7



WATERSTON

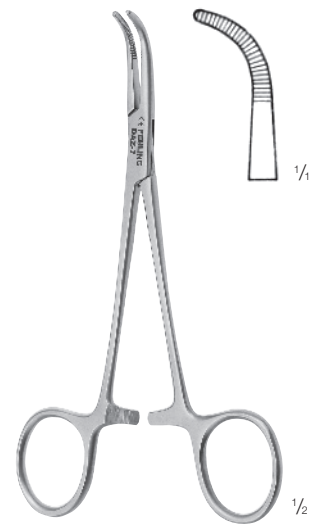
			
180 mm	210 mm	170 mm	200 mm
DAY-7	DAY-9	DAY-6	DAY-8



BABY-ADSON
185 mm
DAZ-8



BABY-ADSON
185 mm
DCG-8



BABY-ADSON
140 mm
DAZ-7

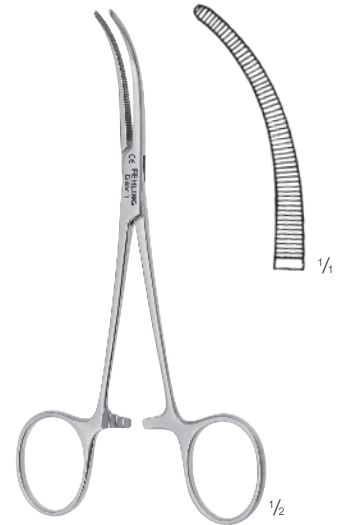


150 mm	210 mm
DAW-0	DAV-0

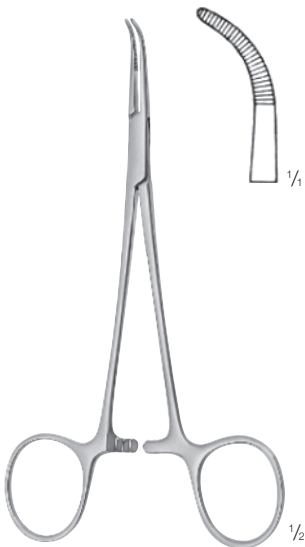
CERAMO® RONDO
MICRO LIGATURE FORCEPS
MIKROLIGATURKLEMME



MICRO-ADSON
140 mm
DBK-6



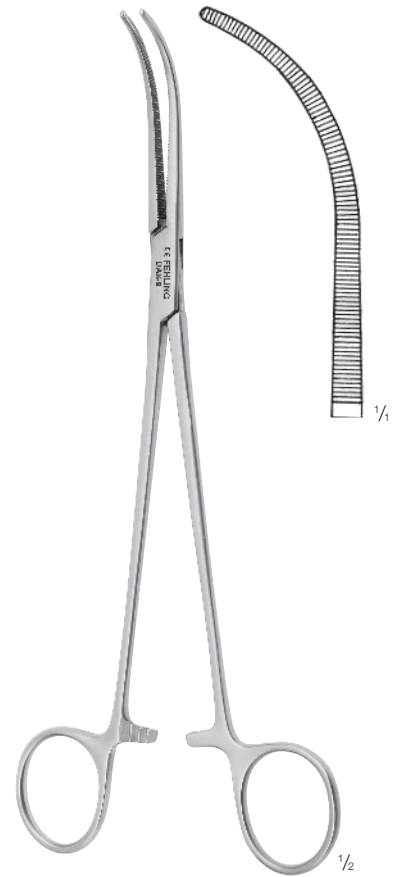
BABY-OVERHOLT
135 mm
DAV-1



BABY-MIXTER
140 mm
DBA-1



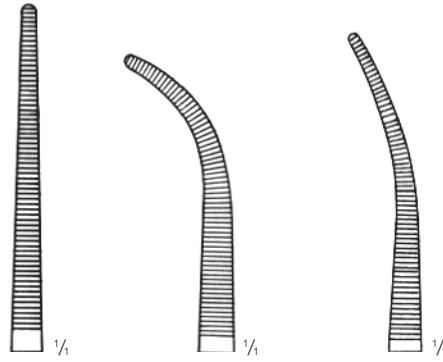
BABY-MIXTER
180 mm
DBA-2



OVERHOLT-MIXTER
230 mm
DAX-9



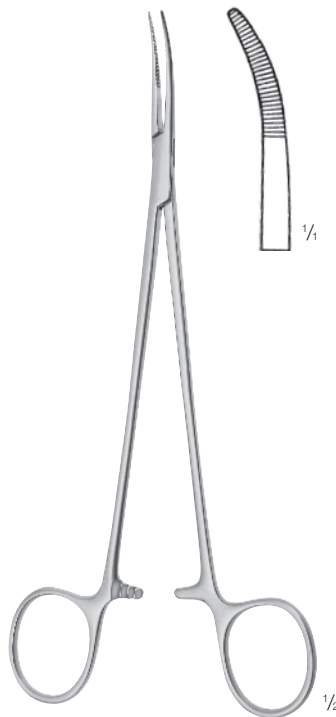
HEISS



200 mm	205 mm	205 mm
DAG-1	DAG-3	DAG-4



MIXTER-O'SHAUGNESSY
190 mm
DCA-4



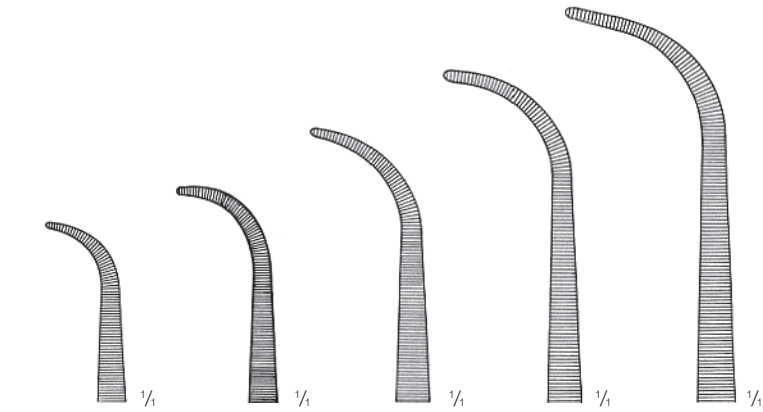
NISSEN
190 mm
DAL-6



WIKSTROEM
210 mm
DAZ-1



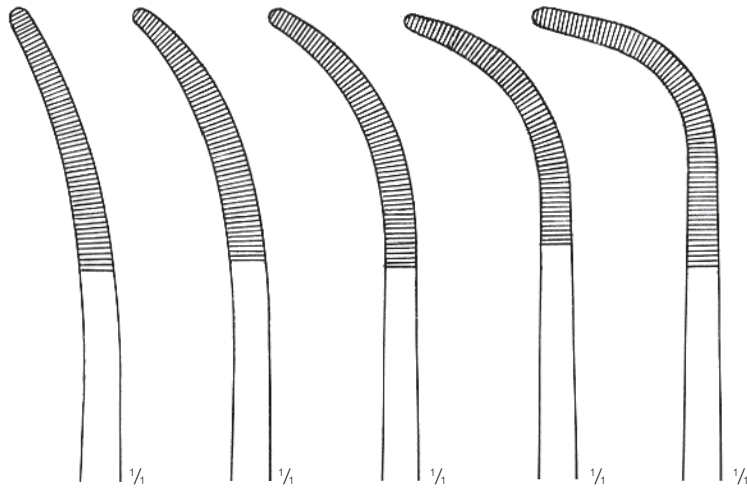
GEMINI



140 mm	180 mm	200 mm	230 mm	280 mm
DAV-2	DAV-3	DAV-4	DAV-5	DAV-6



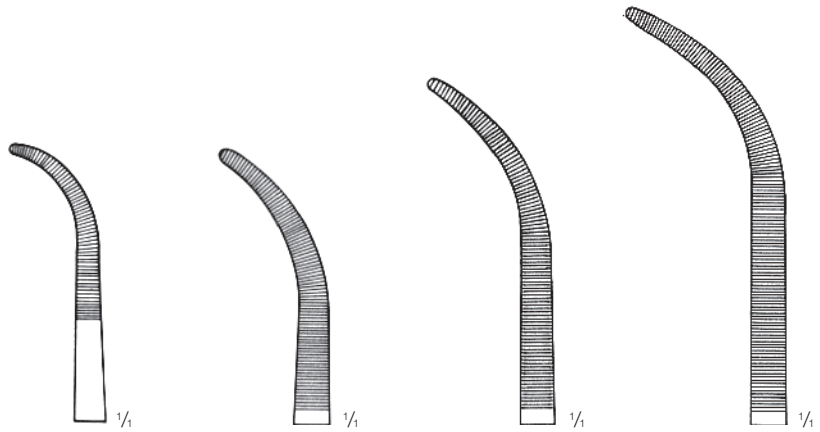
RUMEL



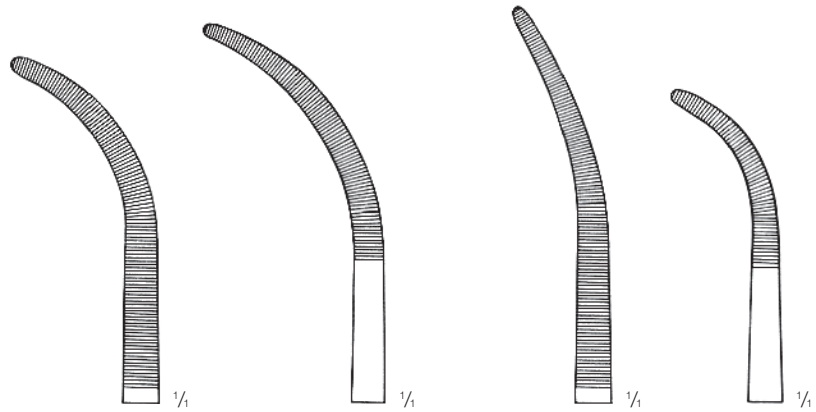
1	2	3	4	5
240 mm	240 mm	250 mm	240 mm	240 mm
DBK-7	DBK-8	DBK-9	DBL-1	DBL-2



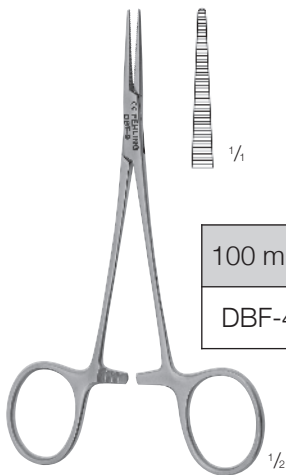
OVERHOLT-GEISSENDOERFER



190 mm	270 mm	200 mm	270 mm	210 mm	270 mm	220 mm	270 mm
DAW-3	DAX-1	DAW-4	DAX-2	DAW-5	DAX-3	DAW-6	DAX-4



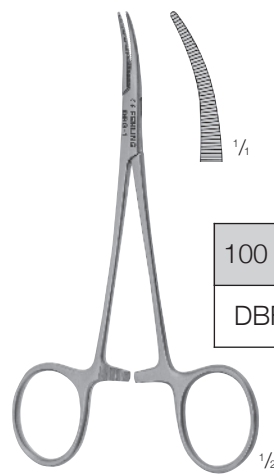
215 mm	270 mm	220 mm	270 mm	225 mm	270 mm	215 mm
DAW-7	DAX-5	DAW-8	DAX-6	DAW-9	DAX-7	ZAL-7



MICRO/MIKRO
MOSQUITO



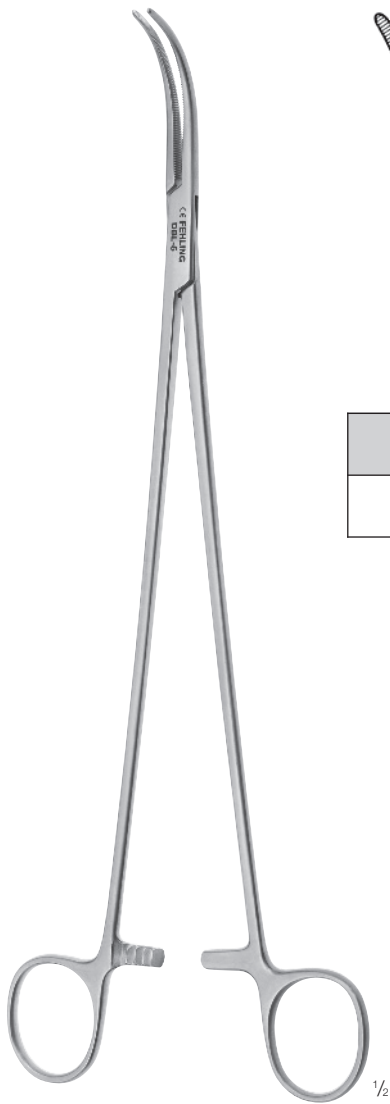
100 mm	120 mm
DBF-4	DBF-9



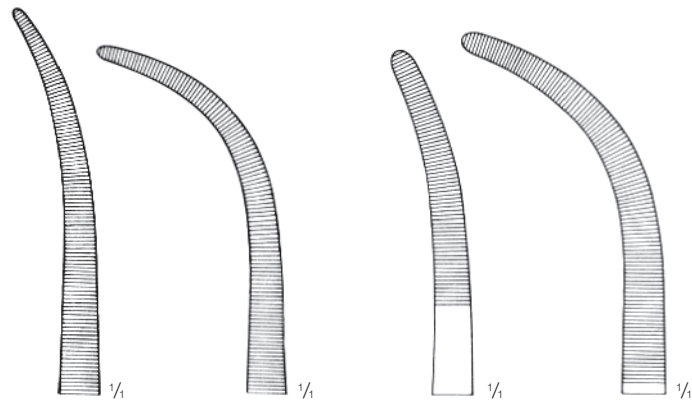
MICRO/MIKRO
MOSQUITO



100 mm	120 mm
DBF-5	DBG-1



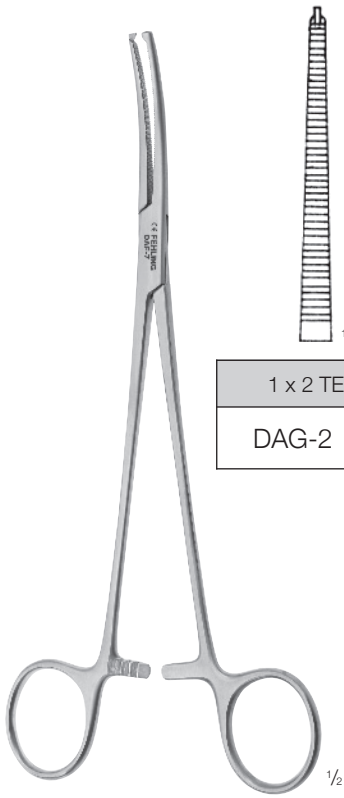
ZENKER



300 mm	285 mm	300 mm	300 mm
DBL-4	DBL-5	ZCD-9	ZCE-1



LIVERCLAMP
LEBERKLEMME
260 mm
PAF-0



1 x 2 TEETH / ZÄHNE	
DAG-2	DAF-7



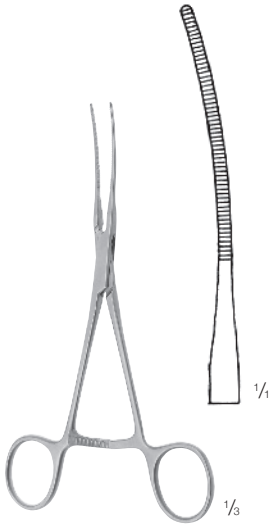
140 mm	180 mm
DAD-6	DAD-7

HEISS
210 mm



		1 x 2 TEETH / 1 x 2 ZÄHNE		
240 mm	DAA-6	DAA-7	DBZ-8	DAB-2
260 mm	DCC-8	DAA-9	DCC-6	DCC-7

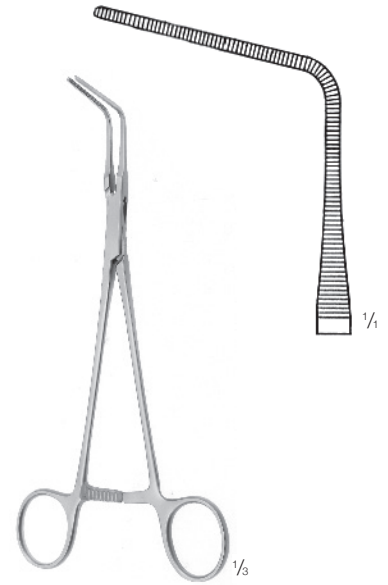
BENGOLEA



MILLS
165 mm
MFF-8



MILLS
190 mm
MFF-7



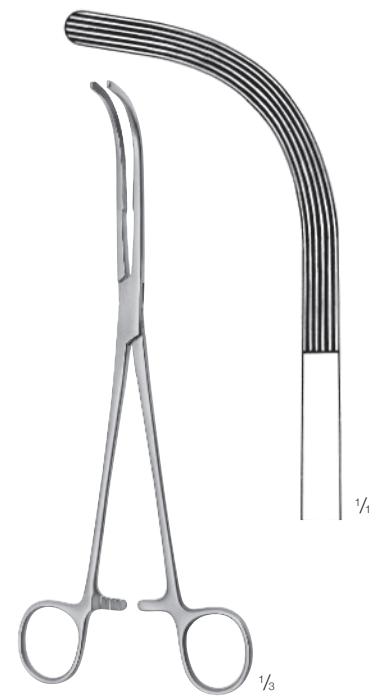
MILLS
195 mm
MFF-6



RUMEL
230 mm
ZAH-5



CRAFOORD
240 mm
DAB-8



DE BAKY-CRAFOORD
245 mm
MAU-7

ALLIS



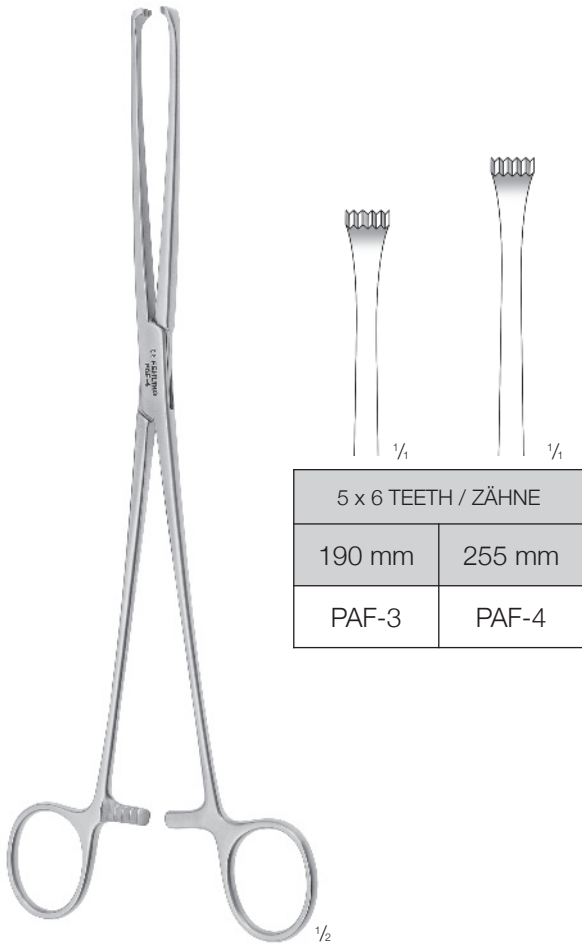
4 x 5 TEETH
4 x 5 ZÄHNE

155 mm
PAF-1



5 x 6 TEETH
5 x 6 ZÄHNE






155 mm
PAF-2



5 x 6 TEETH / ZÄHNE	
190 mm	255 mm
PAF-3	PAF-4

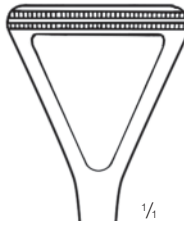



ALLIS
NON-TRAUMATIC
ATRAUMATISCH

				
155 mm	190 mm	230 mm	255 mm	300 mm
PAF-9	PAG-1	PAG-2	PAG-3	PAG-4

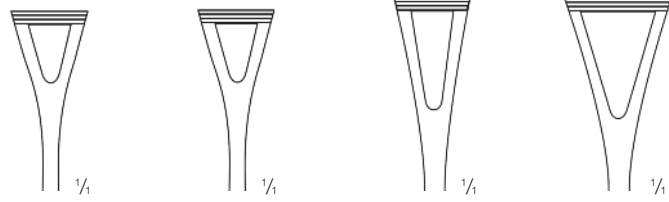


SCHEIBE

	
205 mm	230 mm
PAJ-4	PAJ-5



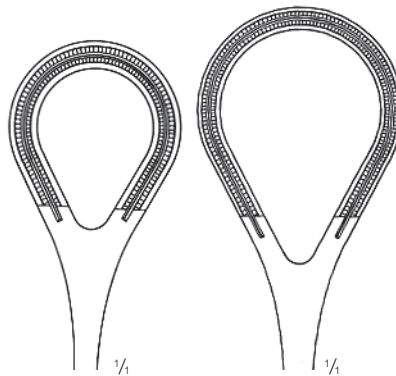
BABCOCK



160 mm	170 mm	215 mm	240 mm
PAG-5	PAG-6	PAG-7	PAG-8



NON-TRAUMATIC
ATRAUMATISCH

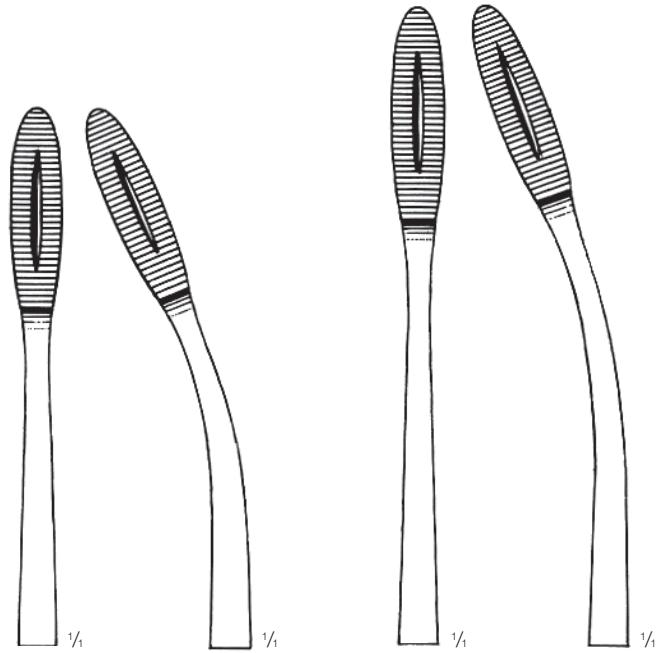


240 mm	270 mm
PAF-7	PAF-8



GROSS-MAIER

$\frac{1}{2}$

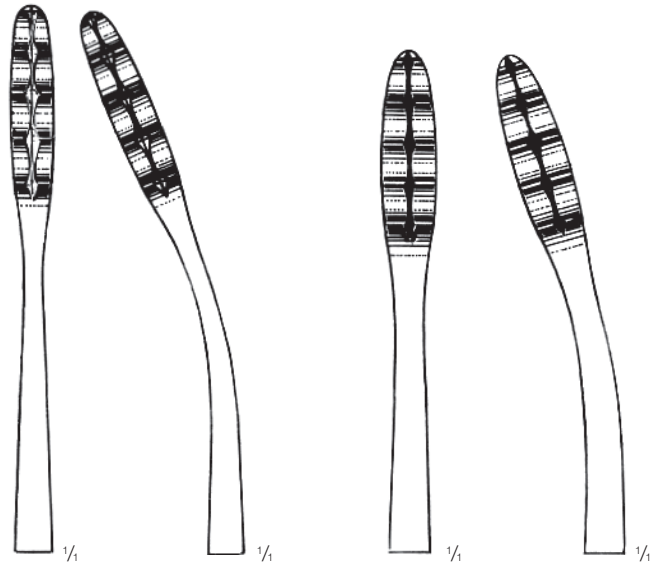


200 mm	200 mm	260 mm	260 mm
DBV-6	DBW-1	DBV-9	DBW-3

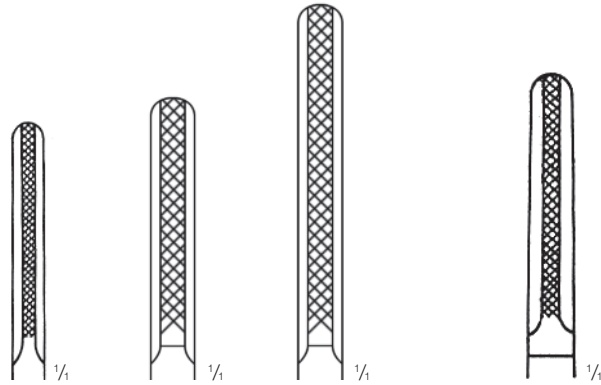


ULRICH

$\frac{1}{3}$



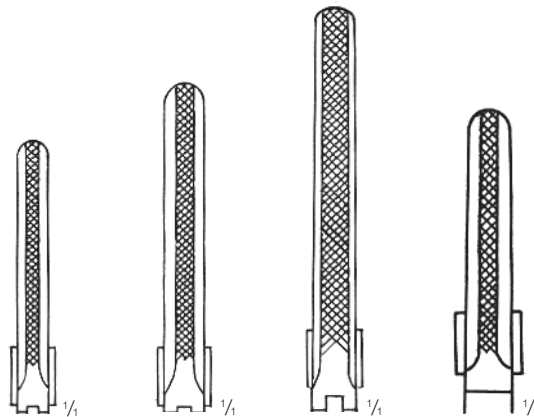
220 mm	220 mm	265 mm	265 mm
DBY-5	DBY-8	DBY-7	DBZ-1



STANDARD			STRONG / STARK	
150 mm	180 mm	200 mm	190 mm	200 mm
ZAM-4	ZAM-3	DBM-2	DCG-9	DCN-6



WITH SAFETY GUARD
MIT SCHUTZBÜGEL



STANDARD			STRONG STARK
155 mm	180 mm	200 mm	190 m
DCB-6	DCB-7	DCB-8	DCH-1



FOR PAPER TOWELS
FÜR PAPIERTÜCHER



135 mm
DBP-5



145 mm
DCM-7

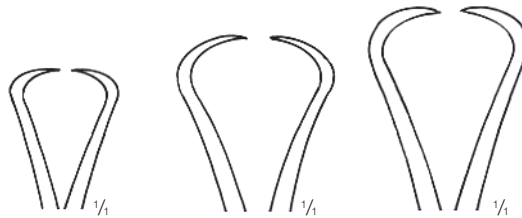


145 mm
DCM-8

for 1/2 inch tube
für 1/2 Zoll-Schlauch



BACKHAUS



90 mm	110 mm	130 mm
DBM-5	DBM-6	DBM-7

Your Distributor

Please note that not all products are available in every country.

The dimensions listed in the catalog are nominal measurements. Actual values may differ slightly due to variations in production.



1690 Stone Village Lane NW • Suite 721 • Kennesaw, GA 30152

Toll Free: 1-800-FEHLING (334-5464) • Fax: 770-794-0122 • Email: info@fehlingsurgical.com

ZYP-6US_02/16