

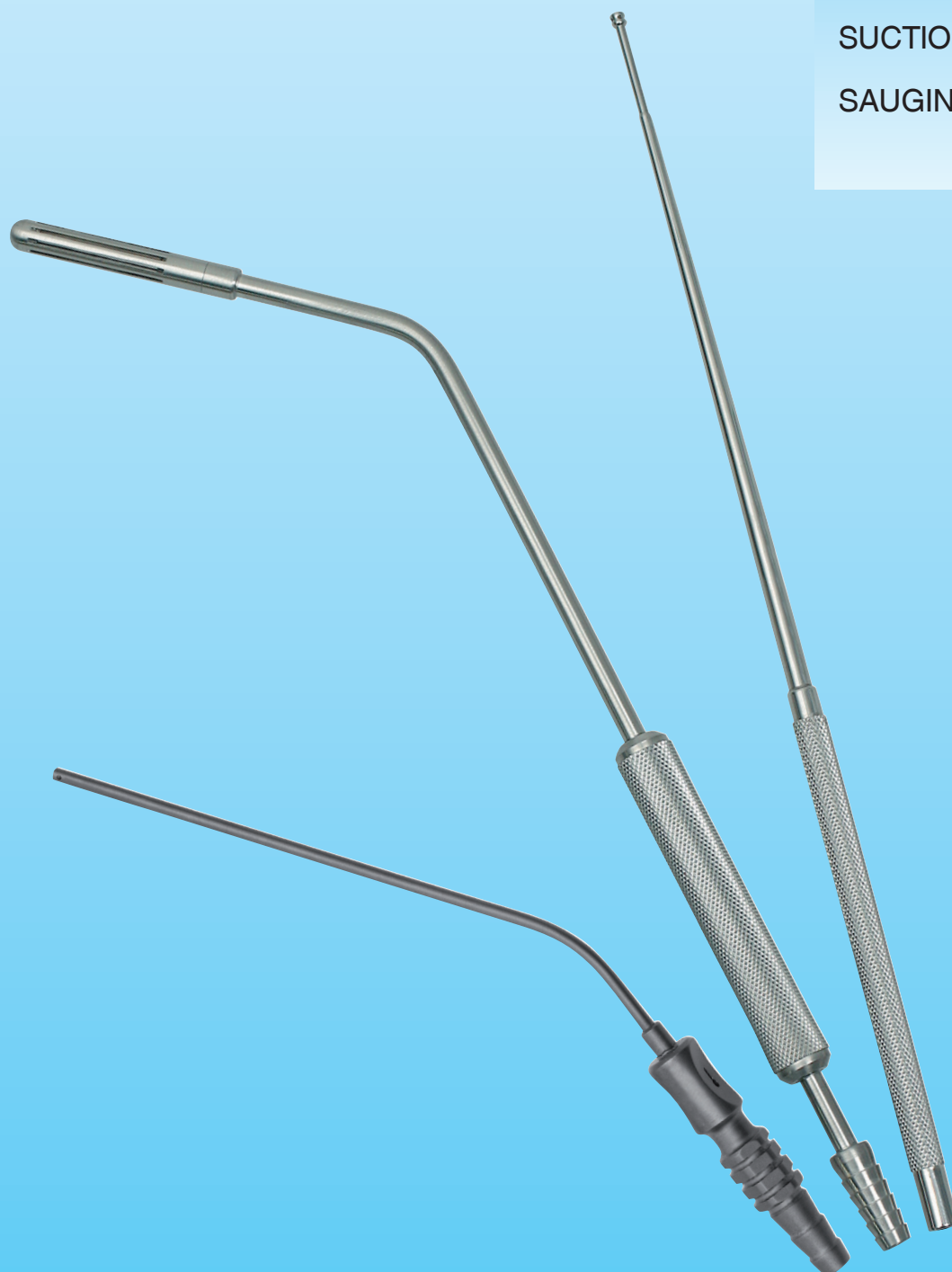
FEHLING...

... THE DIFFERENCE

8

SUCTION INSTRUMENTS

SAUGINSTRUMENTE



FEHLING
INSTRUMENTS

Hanauer Landstraße 7A · 63791 Karlstein/Germany · www.fehling-instruments.de



+49(0) 6188 - 9574.40

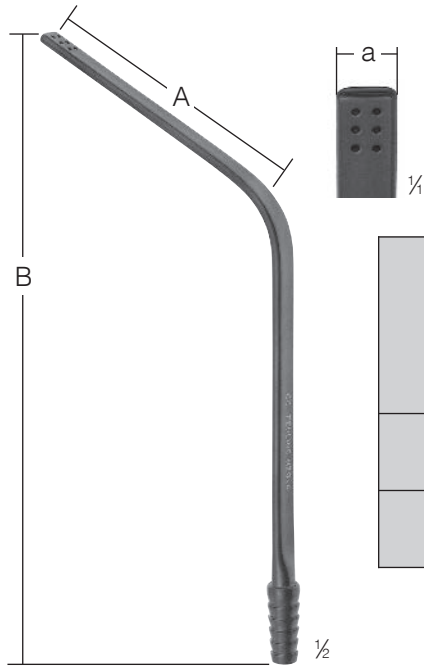


+49(0) 6188 - 9574.45



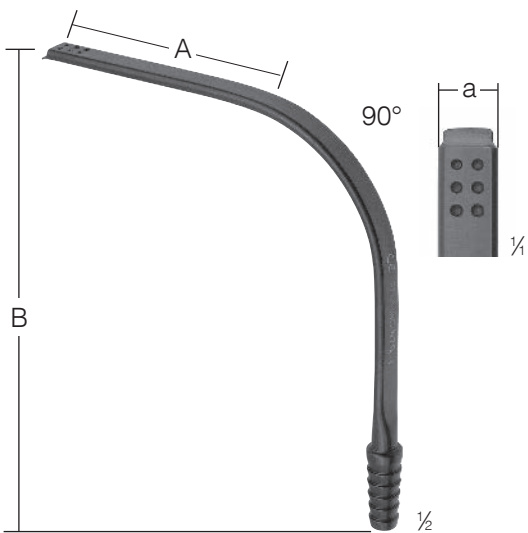
info@fehling-instruments.de

CERAMO®



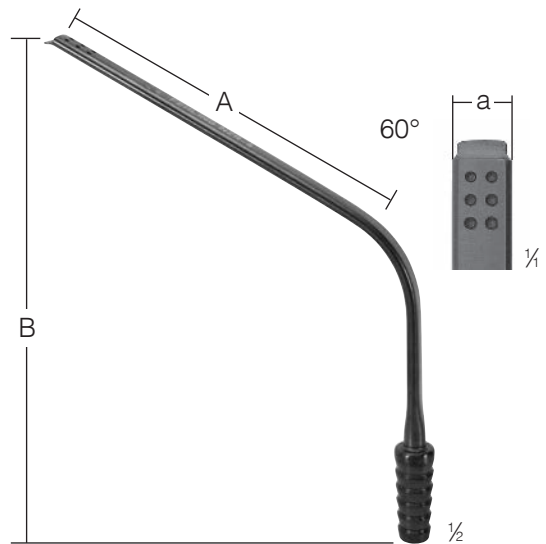
WIDTH BREITE a	LENGTH LÄNGE A / B		
	70 / 155 mm	80 / 160 mm	90 / 165 mm
6 mm	NZQ-7V	NZQ-8V	NZQ-9V
8 mm	NZQ-3V	NZQ-4V	NZQ-5V

SCHROEDER
SUCTION SPATULA
SAUGSPATEL



SUCTION NERVE ROOT RETRACTOR
SAUG-NERWURZELHAKEN

WIDTH BREITE a	LENGTH LÄNGE A / B	
	95 / 135 mm	175 / 210 mm
6 mm	NZQ-2	NZR-3
8 mm	NZQ-1	NZR-2

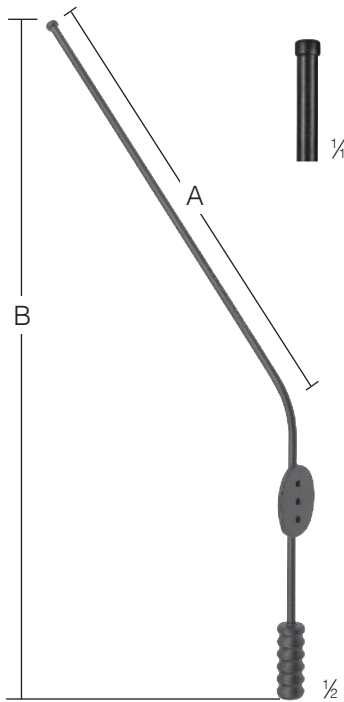


SUCTION NERVE ROOT RETRACTOR
SAUG-NERWURZELHAKEN

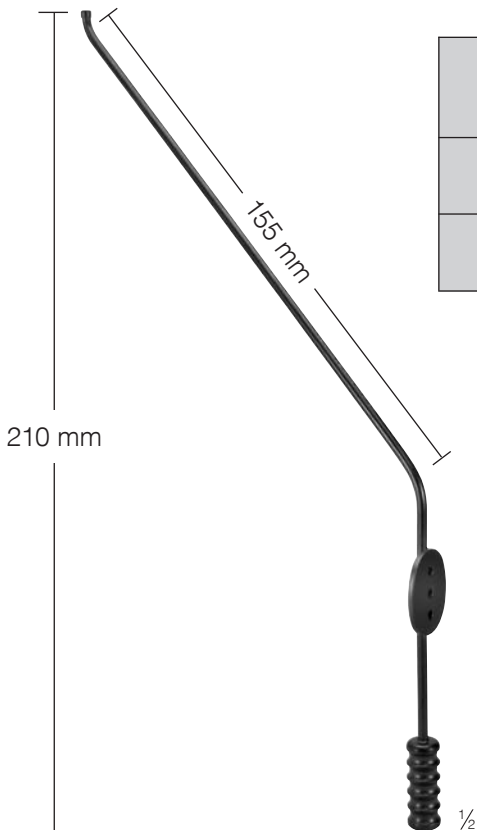
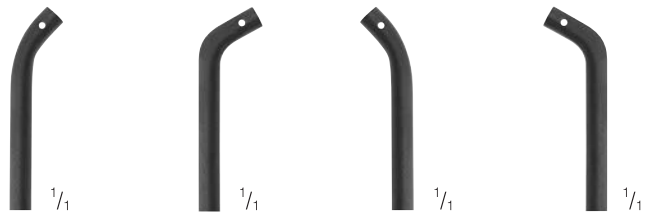
WIDTH BREITE a	LENGTH LÄNGE A / B	
	95 / 135 mm	175 / 260 mm
6 mm	NZR-6	NZR-5
8 mm	-	NZR-4

CERAMO® SCHICK

CEREBRAL SUCTION TUBE
CEREBRALSauger





Ø TUBE ROHR	LENGTH LÄNGE A / B	
	130 / 180 mm	170 / 210 mm
2,5 mm	HAV-7V	HAV-8V
3,0 mm	HAV-9V	HAW-0V



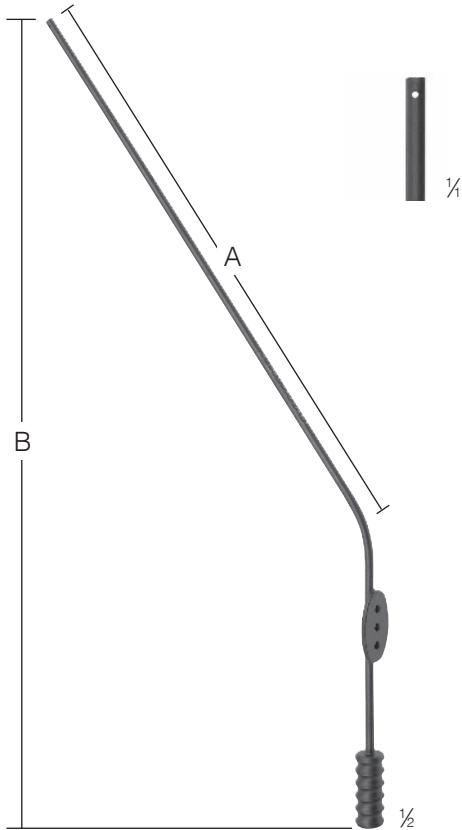
Ø TUBE ROHR	45°		60°	
	45°	60°	45°	60°
2,5 mm	HAW-5V	HAW-7V	HAW-6V	HAW-8V
3,0 mm	HBA-1V	HBA-3V	HBA-2V	HBA-4V

CERAMO®



		
	1/4	1/4
Ø TUBE ROHR	45°	45°
3,0 mm	HBA-5	HBA-6

MICRO SUCTION TUBE
MIKROSAUGER



Ø TUBE ROHR	LENGTH LÄNGE A / B	
	130 / 180 mm	170 / 210 mm
1,5 mm	HAV-5	HAV-6
2,5 mm	HAV-1	HAV-2
3,0 mm	HAV-3	HAV-4

SCHICK
MICRO SUCTION TUBE
MIKROSAUGER

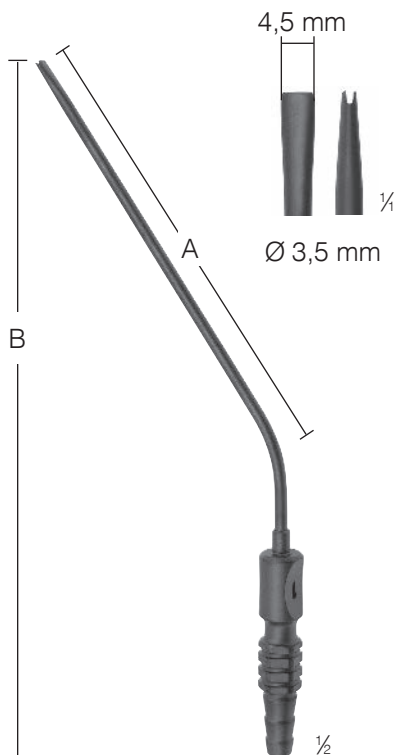
CERAMO®



MICRO SUCTION TUBE
MIKROSAUGER
200 mm



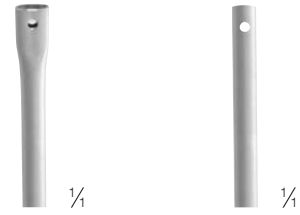
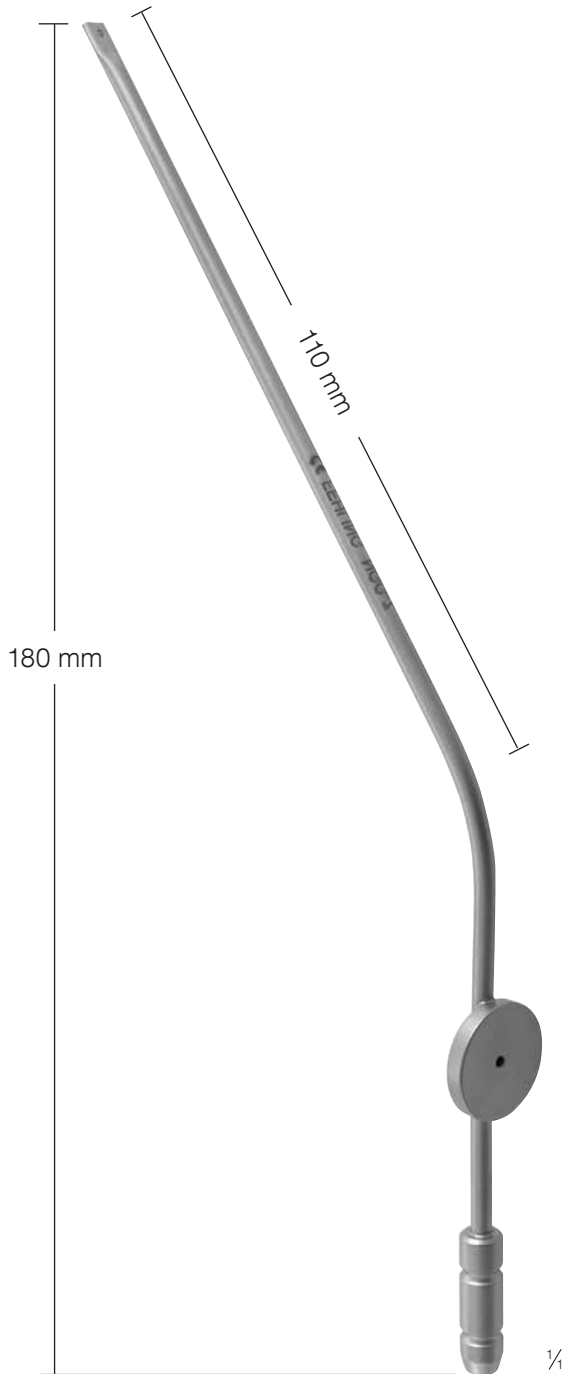
Ø TUBE ROHR	45°	60°
2,0 mm	HAW-1	HAW-2
3,0 mm	HAW-3	HAW-4



DISSECTING ASPIRATOR
DISSEKTIONSSAUGER

LENGTH LÄNGE A / B	
120 / 190 mm	NZV-3
220 / 250 mm	NZV-0

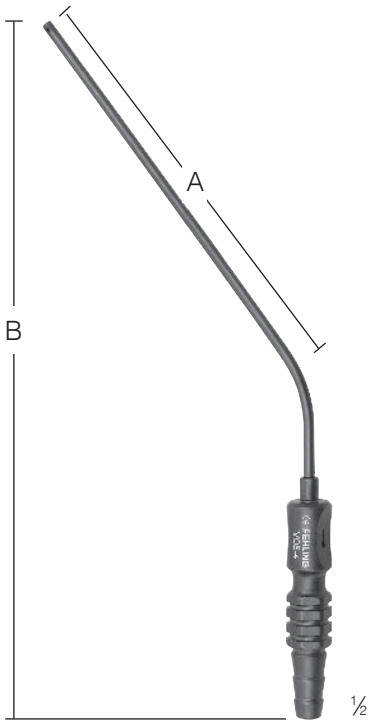
SUCTION INSTRUMENT WITH FINGER CUT OFF
SAUGER MIT SAUGUNTERBRECHUNG



Ø TUBE ROHR		
3,0 mm	NGG-4	NGG-6
	NGG-7	
4,0 mm	NGT-0	-
	NGS-6	-

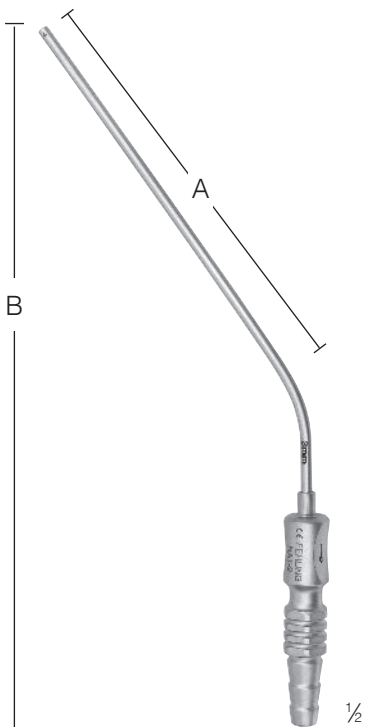
CERAMO®

FRAZIER



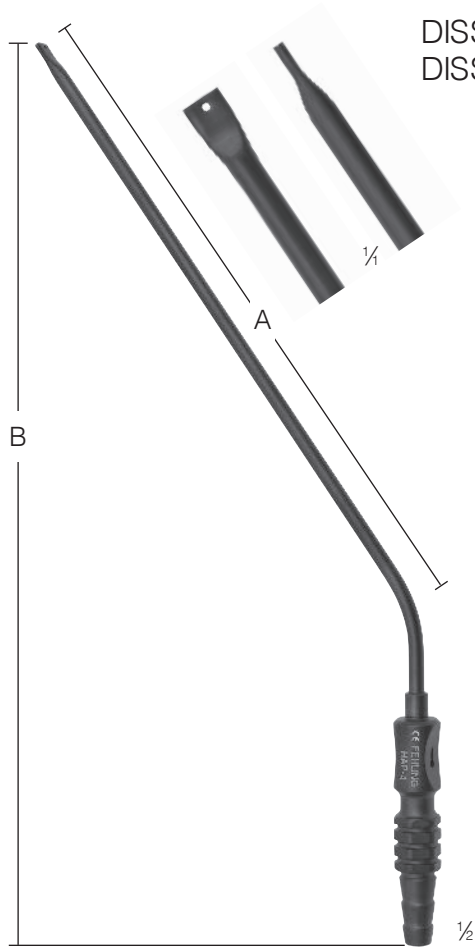
CERAMO®

Ø TUBE ROHR	LENGTH LÄNGE A / B		
	115 / 180 mm	145 / 200 mm	210 / 250 mm
1,0 mm	–	VOC-1	VOE-4
1,5 mm	–	VOC-7	–
2,0 mm	VOB-2	VOC-2	VOE-5
2,5 mm	VOB-3	VOC-3	VOE-6
3,0 mm	VOB-4	VOC-4	VOE-7
4,0 mm	VOB-5	VOC-5	VOE-8
5,0 mm	VOB-6	VOC-6	VOE-9



UNCOATED
UNBESCHICHTET

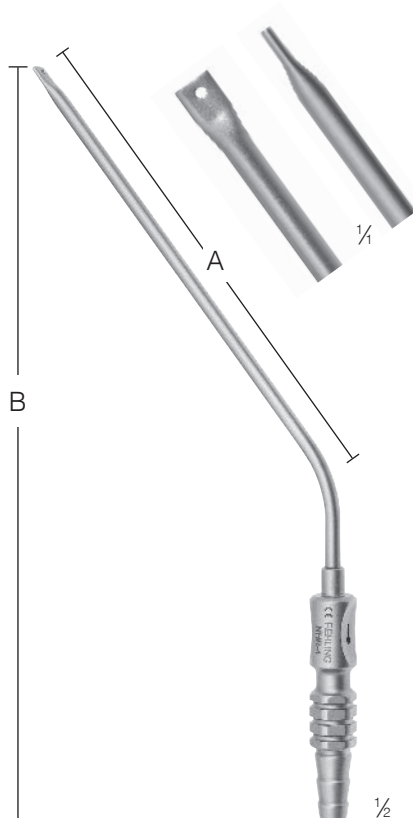
Ø TUBE ROHR	LENGTH LÄNGE A / B		
	115 / 180 mm	145 / 200 mm	210 / 250 mm
1,0 mm	–	HAR-1	–
1,5 mm	HAT-5	–	–
2,0 mm	NAT-7	HAR-2	NHR-8
2,5 mm	NAT-8	HAR-0	NHS-0
3,0 mm	NAT-9	HAR-3	NHR-9
4,0 mm	NAU-1	HAR-4	NHS-1
5,0 mm	NAU-2	HAP-9	NHS-2



DISSECTION CANNULAS
DISSEKTIONSSAUGER

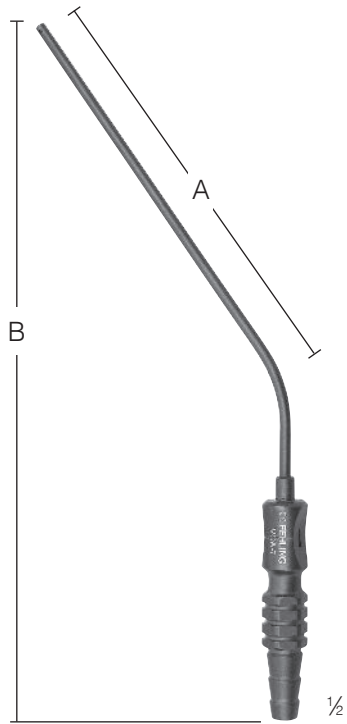
Ø TUBE ROHR	LENGTH LÄNGE A / B	
3,0 mm	125 / 190 mm	HAP-5
4,0 mm	175 / 245 mm	HAP-4

CERAMO®
KINTZEL



Ø TUBE ROHR	LENGTH LÄNGE A / B	
3,0 mm	110 / 170 mm	NHR-0
4,0 mm	120 / 190 mm	NHR-4
		NGG-5
4,0 mm	140 / 210 mm	NHA-8

CERAMO®






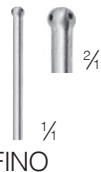


CERAMO®
SUCTION CANNULA
SAUGKANÜLE

MALLEABLE
BIEGBAR

Ø TUBE ROHR	LENGTH LÄNGE A / B	
	120 / 180 mm	160 / 210 mm
1,0 mm	VOA-5	VOB-0
2,0 mm	VOA-6	VOA-1
3,0 mm	VOA-7	VOA-2
4,0 mm	VOA-8	VOA-3
5,0 mm	VOA-9	VOA-4
6,0 mm	–	VOA-0

JAMIESON

DISSECTION CANNULAS
DISSEKTIONSSAUGER

	Ø HOLE / BALL LOCH / KUGEL	LENGTH LÄNGE		
	0,5 mm	270 mm		MMT-1
	1,0 mm	210 mm		MNF-0
		270 mm		MNF-6
	1,5 mm	270 mm		MMA-7
	1,0 mm	260 mm		MMC-0
	1,5 mm	270 mm		MME-5
	1,5 mm	290 mm		MME-1
	1,5 mm	290 mm		MME-2
	0,5 mm	a = 70 mm 270 mm	15°	MME-3
			30°	MMJ-0
	1,0 mm	a = 60 mm 270 mm	30°	MMJ-6
	1,0 mm	a = 70 mm 270 mm	15°	MME-4
			30°	MMB-0



YANKAUER SUCTION TUBE
YANKAUER SAUGROHR
285 mm
HAA-4



VALVULAR SUCTION TUBE
SAUGER FÜR KLAPPENCHIRURGIE



CERAMO®
SUCTION CANNULA FOR
VALVE DECALCIFICATION
ENTKALKUNGSSAUGER
240 mm
MNF-5



HLM-ASPIRATOR
HLM-SAUGER
280 mm
MEL-7

300 mm	350 mm*
MNO-0	MNO-8

* particularly for MICS MVR
speziell für MICS MKR/MKE



225 mm
MCE-9



ANDREWS PYNCHON
240 mm

PEDIATRIC
PÄDIATRISCH

Ø	
3,0 mm	MNO-4
4,2 mm	MNO-5



245 mm
MCE-8



210 mm
MNE-5

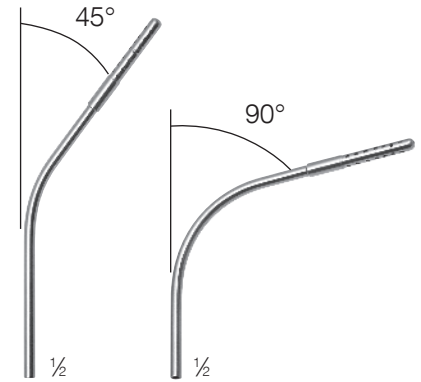


SEBENING
180 mm
MNE-8

GRECO



PEDIATRIC
PÄDIATRISCH



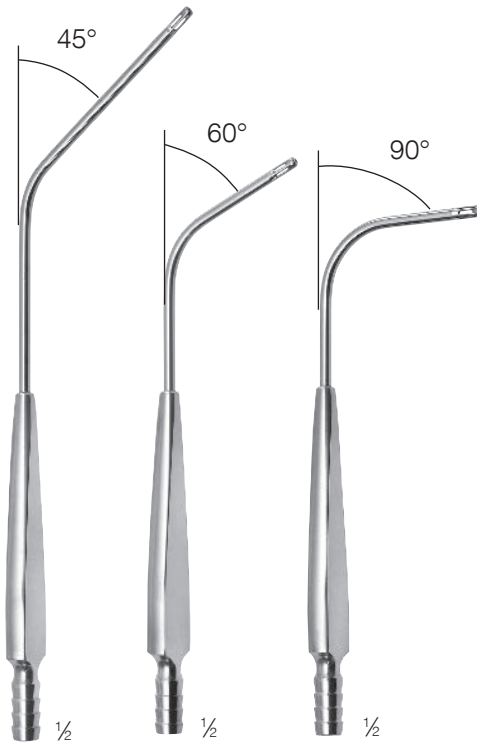
HLM-CANNULA
HLM-KANÜLE

DETACHABLE BASKET / KORB ABNEHMBAR

Ø TUBE / ROHR	180 mm	160 mm
3,3 mm	MNM-1	MNM-2
5,0 mm	MNM-3	MNM-4

DETACHABLE BASKET / KORB ABNEHMBAR

Ø TUBE / ROHR	95 mm	80 mm
3,3 mm	MNM-5	MNM-6
5,0 mm	MNM-7	MNM-8



Ø TUBE / ROHR	210 mm	180 mm	150 mm
3,3 mm	MNL-2	MNL-1	MNL-3
5,0 mm	MNL-5	MNL-4	MNL-6

GRECO

PEDIATRIC
PÄDIATRISCH



VENTRICULAR SUCTION CANNULA FOR 1/4" TUBE
VENTRIKELSAUGER FÜR 1/4" SCHLAUCH



Ø 6 mm
L 23 mm
MKN-8



Ø 7 mm
L 25 mm
MKK-5

PEDIATRIC VENTRICULAR SUCTION CANNULA
KINDER-VENTRIKELSAUGER



Ø 16 mm	9 x 12 mm
MCC-0	MCC-1



HEPARIN CANNULA
HEPARIN KANÜLE

Ø TUBE ROHR	LENGTH LÄNGE		
	48 mm	55 mm	160 mm
1,2 mm	HAH-9	HAI-2	—
2,0 mm	—	—	HAI-3

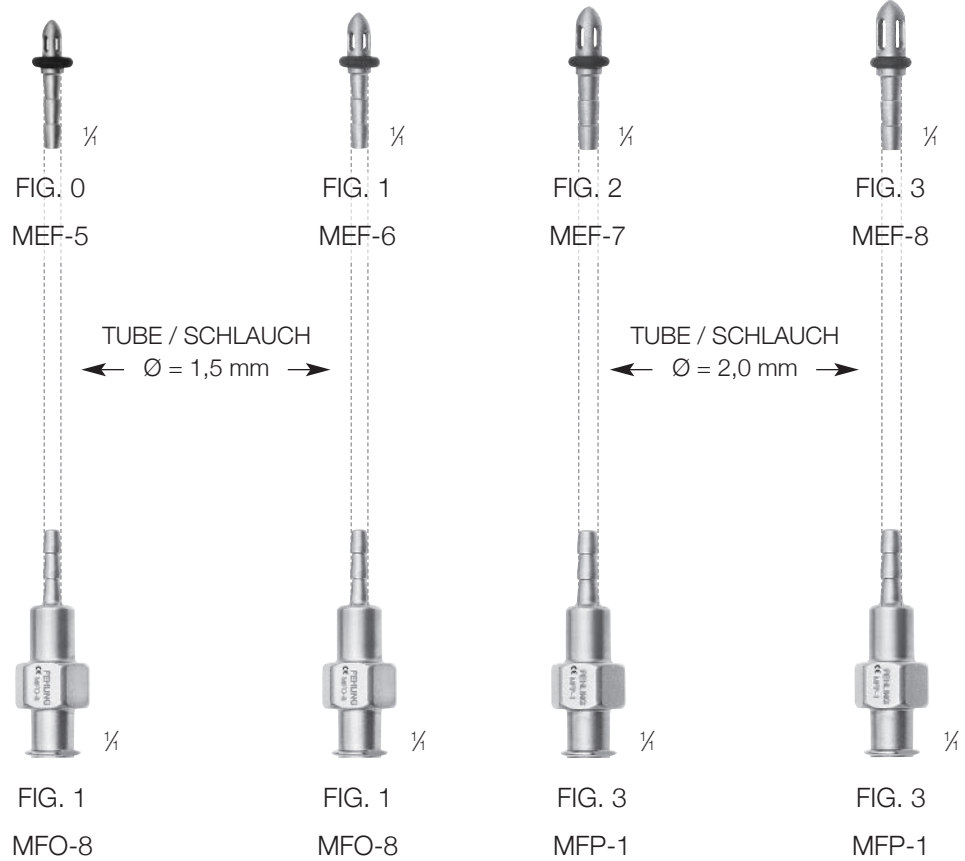
MALLEABLE
BIEGSAM

Ø TUBE ROHR		
1,2 mm	VAD-3	VAD-4
1,5 mm	VAD-5	VAD-6
2,0 mm	VAD-0	—



BUTTONED CANNULA
KOPFKANÜLE
80 mm

VASCULAR IRRIGATOR
VASKULARSPÜLKOPF



LUER-LOCK ADAPTER
LUER-LOCK-ANSATZ

Your Distributor

The dimensions listed in the catalog are nominal measurements. Actual values may differ slightly due to variations in production.

Please note that not all products are available in every country.



1690 Stone Village Lane NW • Suite 721 • Kennesaw, GA 30152

Toll Free: 1-800-FEHLING (334-5464) • Fax: 770-794-0122 • Email: info@fehlingsurgical.com